

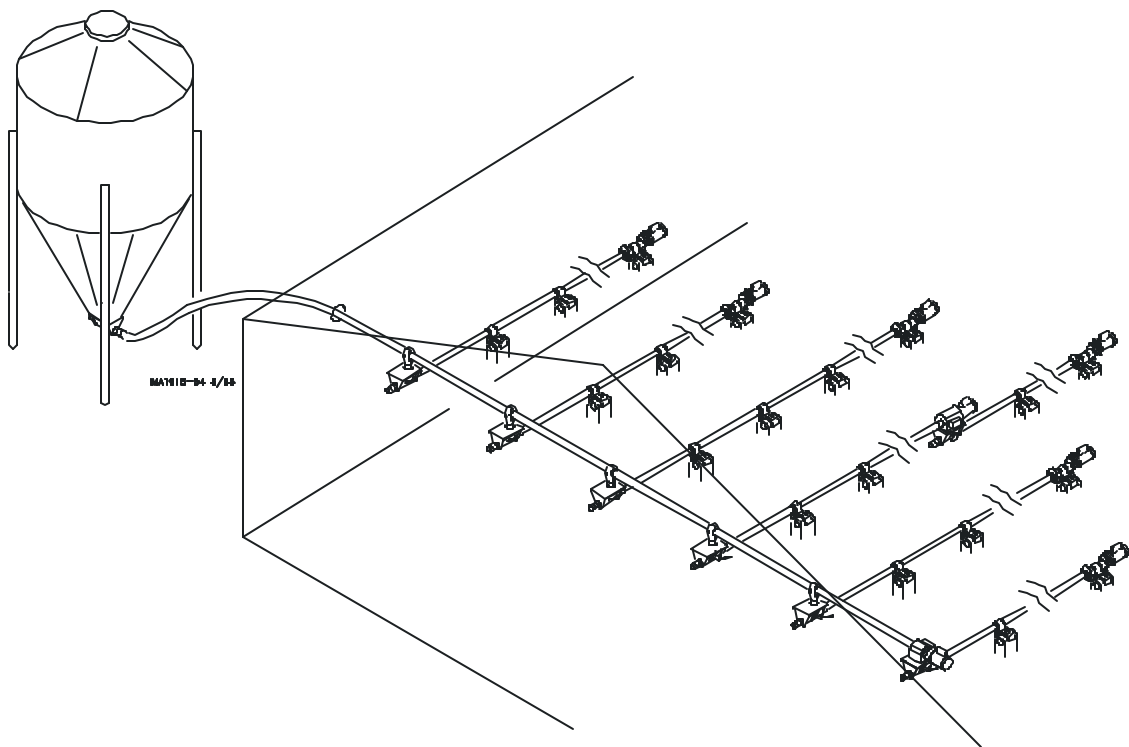
Poultry Production Systems

Flag System Drop Feeding Installation & Operator's Manual

warranty • installation • parts list

Installation and Operators Manual

Installation and Operators Manual



WARRANTY INFORMATION

Chore-Time equipment warrants each new product manufactured by it to be free from defects in material or workmanship for one year from the date of initial installation by the original purchaser. If such a defect is found by Chore-Time to exist within the one year period, Chore-Time will, at its option, (a) repair or replace such product free of charge, F.O.B. the factory of manufacture, or (b) refund to the original purchaser the original purchase price, in lieu of such repair or replacement.

Additional extended warranties are herewith provided to the original purchaser as follows:

1. RLX Fans, less motors, for three years from date of installation.
- *2. Poultry feeder pans that become unusable within five years from date of installation. Warranty prorated after three years usage.
3. MEAL-TIME® Hog Feeder pans that become unusable within five years of installation.
4. Rotating centerless augers, excluding applications involving High Moisture Corn (exceeding 18%), for ten years from date of installation. Note: MULTIFLO® and applications involving High Moisture Corn are subject to a one year warranty.
5. Chore-Time manufactured roll-formed steel auger tubes for ten years from date of installation.
- *6. Laying cages that become unusable within ten years. Warranty prorated after three years usage.
- *7. ULTRAFLO® Auger and ULTRAFLO® Feed Trough (except ULTRAFLO® Trough Liners) are warranted for a period of five (5) years from date of original purchase against repeated breakage of the auger or wear-through of the feed trough.

Conditions and limitations:

1. The product must be installed and operated in accordance with instructions published by Chore-Time or warranty will be void.
2. Warranty is void if all components of a system are not supplied by Chore-Time.
3. This product must be purchased from and installed by an authorized Chore-Time dealer or certified representative thereof, or the warranty will be void.
4. Malfunctions or failure resulting from misuse, abuse, negligence, alteration, accident, or lack of proper maintenance shall not be considered defects under this warranty.
5. This warranty applies only to systems for the care of poultry and livestock. Other applications in industry or commerce are not covered by this warranty.

Chore-Time shall not be liable for any consequential or special damage which any purchaser may suffer or claim to have suffered as a result of any defect in the product. "Consequential" or "special damages" as used herein include, but are not limited to, lost or damaged products or goods, costs of transportation, lost sales, lost orders, lost income, increased overhead, labor and incidental costs and operational inefficiencies.

THIS WARRANTY CONSTITUTES CHORE-TIME'S ENTIRE AND SOLE WARRANTY AND CHORE-TIME EXPRESSLY DISCLAIMS ANY AND ALL OTHER WARRANTIES, INCLUDING, BUT NOT LIMITED TO, EXPRESS AND IMPLIED WARRANTIES AS TO MERCHANTABILITY, FITNESS FOR PARTICULAR PURPOSE SOLD AND DESCRIPTION OR QUALITY OF THE PRODUCT FURNISHED HEREUNDER.

Any exceptions to this warranty must be authorized in writing by an officer of the company. Chore-Time reserves the right to change models and specifications at any time without notice or obligation to improve previous models.

*See separate "WARRANTY ADDITION" as to these products

CHORE-TIME EQUIPMENT, A Division of CTB, Inc.
P.O. Box 2000, Milford, Indiana 46542-2000 U.S.A.

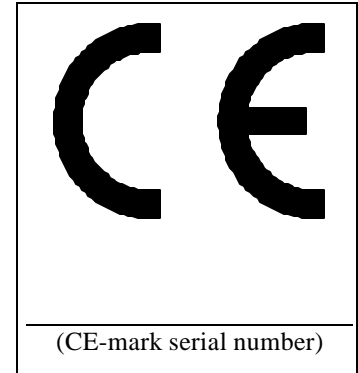
Support Information

The CHORE-TIME Flag Drop Feeding System is designed to convey livestock feed types. Using this equipment for any other purpose or in a way not within the operating recommendations specified in this manual will void the warranty and may cause personal injury and/or death.

This manual is designed to provide comprehensive planning, installation, wiring, and parts listing information. The Table of Contents provides a convenient overview of the information in this manual. The Table of Contents also specifies which pages contain information for the sales personal, installer, and consumer (end user).

IMPORTANT: CE stands for *certified Europe*. It is a standard which equipment must meet or exceed in order to be sold in Europe. CE provides a benchmark for safety and manufacturing issues. CE is required only on equipment sold in Europe.

CHORE-TIME Equipment recognizes CE Mark and pursues compliance in all applicable products. Please fill in the CE-Mark serial number in the blank space provided for future reference.



Please include the names and address of your CHORE-TIME Distributor

Please fill in the following information about your Chore-Time Flag Drop Feeding System. Keep this manual in a clean, dry place for future reference.

Distributor's Name _____

Distributor's Address _____

Distributor's Phone _____ **Date of Purchase** _____

Installer's Name _____

Installer's Address _____

Installer's Phone _____ **Date of Installation** _____

System Specifications _____

Feed Delivery System Supplying _____

Tools needed to install your Flag System include:

1. Regular Screwdriver
2. Allen Wrenches
3. Box-End Wrenches
4. Drive Ratchet and Sockets
5. Locking Pliers
6. File
7. Saw to cut PVC Tubes
8. 1.5", 2.5", or 3" Hole Saw or Sabre Saw
9. Screw-Hook Driver
10. Bolt Cutters or Hack Saw
11. PVC Cleaning Solvent
12. Wire Cutters
13. Wire Strippers
14. Adequate Size and Quantity of Electrical Wire
15. Electrical Drill and Drill Bits
16. Abrasive Cut-off Saw (for steel systems only)
17. Oxy-Acetylene Torch and Brazing Rod
18. Another person to help!!

Table of Contents

<u>Topic</u>	<u>Page</u>	<u>User*</u>
Warranty Information.....	2	C, D
Support Information	3	C, D
Tools needed to install your Flag System include:	3	I
Related Instruction Manuals	4	C, D, I
Safety Information	5 - 6	C, I
Introduction	6	C, I
Fill System Power Unit Selection Guide (in feet).....	7	C, I
Fill System Power Unit Selection Guide (in meter).....	8	C, I
Installation	9 - 11	I
Wiring the System	11	I
Setting the Delay	11	C, I
Alternate Flag System Layout Diagrams (#1 through #4)	12 - 13	C, D, I
Flag System Wiring Diagrams	14 - 26	I
Parts List.....	27 - 29	C, D, I

*Legend: C = Customer (end user), D = Distributor (sales), I = Installer of equipment

SAFETY INFORMATION

Caution, Warning and Danger Decals have been placed on the equipment to warn of potentially dangerous situations. Care should be taken to keep this information intact and easy to read at all times. Replace missing or damaged safety signs.

Using the equipment for purposes other than specified in this manual may cause personal injury or damage to the equipment.

Safety–Alert Symbol

This is a safety–alert symbol. When you see this symbol on your equipment, be alert to the potential for personal injury. CHORE-TIME equipment is designed to be installed and operated as safely as possible...however, hazards do exist.



Signal Words

Signal words are used in conjunction with the safety–alert symbol to identify the severity of the warning.

DANGERindicates an imminently hazardous situation which, if not avoided, WILL result in death or serious injury.

WARNINGindicates a potentially hazardous situation which, if not avoided, COULD result in death or serious injury.

CAUTIONindicates a hazardous situation which, if not avoided, MAY result in minor or moderate injury.



DANGER



WARNING

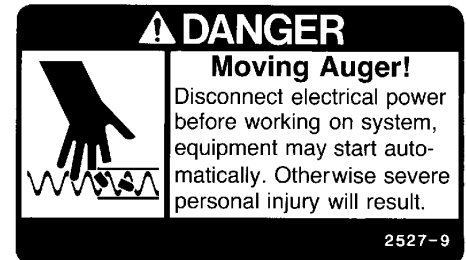


CAUTION

DANGER: MOVING AUGER

This decal is placed on the Clean-Out Cover of the FLEX-AUGER Control Unit.

Severe personal injury will result, if the electrical power is not disconnected, prior to servicing the equipment.



DANGER: ELECTRICAL HAZARD

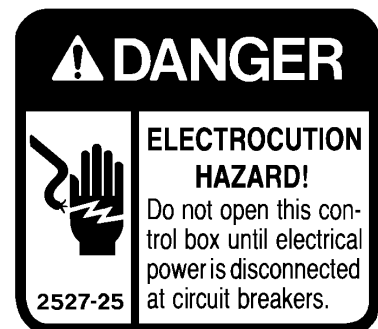
Disconnect electrical power before inspecting or servicing equipment unless maintenance instructions specifically state otherwise.

Ground all electrical equipment for safety.

All electrical wiring must be done by a qualified electrician in accordance with local and national electric codes.

Ground all non-current carrying metal parts to guard against electrical shock.

With the exception of motor overload protection, electrical disconnects and over current protection are not supplied with the equipment.

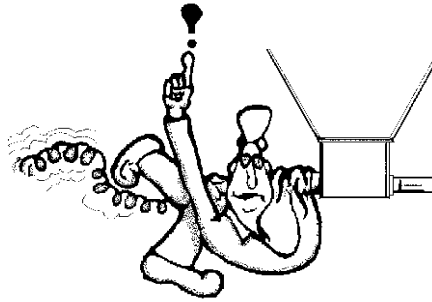


SAFETY INFORMATION



CAUTION

Use caution when working with the Auger.
Springing auger may cause personal injury.



Introduction:

The CHORE-TIME Flag System is designed to be used in installations that have one Fill System supplying several lines of feeders, as shown in Figure 1, on page 9. The Alternate Flag System Layout Diagrams on pages 12 and 13 show alternative Fill System layout options.

The Flag System uses a Model 75 or Model 90 FLEX-AUGER Fill System to supply two or more Flag Feeder Lines.

A Delay/Relay Kit is recommended for use on flag fill systems to avoid potential short cycling.

The FLEX-AUGER Fill System supplying the Flag System must be sized properly to provide enough feed, without over-charging the system. The following chart specifies the feed delivery rates of the Model 75 and Model 90 FLEX-AUGER Fill Systems operated at 216 RPM, 348 RPM, and 425 RPM.

Feed Delivery System Capacities

	Model 75	Model 90
216 RPM	30 lbs./min. 13.6 kg./min.	60 lbs./min. 27.2 kg./min.
348 RPM	50 lbs./min. 22.7 kg./min.	100 lbs./min. 45.4 kg./min.
425 RPM	60 lbs./min. 27.2 kg./min.	120 lbs./min. 54.4 kg./min.

The feed delivery rate of a Single Transfer Boot is 20 lbs./min. or 9 kg./min. Note: The feed delivery rate of a Twin Transfer Boot is 40 lbs./min. or 18 kg./min. (20 lbs./min. (9 kg./min.) per side.

Flag Lines up to 200 feet (61 m) require using a 1/3 H.P., 1-Phase, 60 Hz, 220 V Power Unit (Part No. 3259-34).

Flag lines between 200 feet (61 m) and 400 feet (122 m) require using a 1/2 H.P., 1-Phase, 60 Hz, 220 V Power Unit (Part No. 3259-39).

Two 1/2 H.P. Power Units are available for 50 Hz applications. They are primarily for Flag Systems up to 400 feet (122 m). See the Power Unit Parts Listing on page 29.

Refer to the Fill System Power Unit Selection Guide on page 7 (in feet) or page 8 (in meters) to determine which Power Unit is required for your individual system.

Fill System

Power Unit Selection Guide (in feet)

230 V, 60 Hz, Single Phase Power Units												
Model 75 Fill System						Model 90 Fill System						
348 RPM			425 RPM			348 RPM			425 RPM			
No. of Flag Lines	up to 80'	81' to 150'	151' to 200'	up to 60'	61' to 120'	121' to 160'	up to 30'	31' to 90'	91' to 150'	up to 20'	21' to 70'	71' to 120'
2	3259-51	3259-52	3259-49	----	----	----	----	----	----	----	----	----
3	----	----	----	3259-77	3259-78	3259-79	----	----	----	----	----	----
4	----	----	----	3259-77	3259-78	3259-79	----	----	----	----	----	----
5	----	----	----	----	----	----	3259-51	3259-52	3259-49	----	----	----
6 or more	----	----	----	----	----	----	----	----	----	3259-77	3259-78	3259-79

230 V, 50 Hz, Single Phase Power Units												
Model 75 Fill System						Model 90 Fill System						
348 RPM				348 RPM								
No. of Flag Lines	up to 60'	61' to 150'	151' to 200'	up to 30'	31' to 90'	91' to 150'	up to 30'	31' to 90'	91' to 150'	up to 30'	31' to 90'	91' to 150'
2	3259-88	3259-88	3259-89	----	----	----	----	----	----	----	----	----
3	3259-88	3259-88	3259-89	----	----	----	----	----	----	----	----	----
4	3259-88	3259-88	3259-89	----	----	----	----	----	----	----	----	----
5	----	----	----	3259-87	3259-88	3259-89	3259-87	3259-88	3259-89	3259-87	3259-88	3259-89
6	----	----	----	3259-87	3259-88	3259-89	3259-87	3259-88	3259-89	3259-87	3259-88	3259-89

220/380 V, 50 Hz, Three Phase Power Units												
Model 75 Fill System						Model 90 Fill System						
348 RPM				348 RPM								
No. of Flag Lines	up to 60'	61' to 150'	151' to 200'	up to 30'	31' to 90'	91' to 150'	up to 30'	31' to 90'	91' to 150'	up to 30'	31' to 90'	91' to 150'
2	3259-103	3259-104	3259-105	----	----	----	----	----	----	----	----	----
3	3259-103	3259-104	3259-105	----	----	----	----	----	----	----	----	----
4	3259-103	3259-104	3259-105	----	----	----	----	----	----	----	----	----
5	----	----	----	3259-103	3259-104	3259-105	3259-103	3259-104	3259-105	3259-103	3259-104	3259-105
6	----	----	----	3259-103	3259-104	3259-105	3259-103	3259-104	3259-105	3259-103	3259-104	3259-105

Fill System

Power Unit Selection Guide (in meters)

230 V, 60 Hz, Single Phase Power Units												
Model 75 Fill System						Model 90 Fill System						
348 RPM			425 RPM			348 RPM			425 RPM			
No. of Flag Lines	up to 24.3 m	24.7 to 45.7 m	46 to 61 m	up to 18.3 m	18.6 to 36.6 m	36.9 to 48.8 m	up to 9.1 m	9.4 to 27.4 m	27.7 to 45.7 m	up to 6.1 m	6.4 to 21.3 m	21.6 to 36.6 m
2	3259-51	3259-52	3259-49	----	----	----	----	----	----	----	----	----
3	----	----	----	3259-77	3259-78	3259-79	----	----	----	----	----	----
4	----	----	----	3259-77	3259-78	3259-79	----	----	----	----	----	----
5	----	----	----	----	----	----	3259-51	3259-52	3259-49	----	----	----
6 or more	----	----	----	----	----	----	----	----	----	3259-77	3259-78	3259-79

230 V, 50 Hz, Single Phase Power Units												
Model 75 Fill System						Model 90 Fill System						
348 RPM				348 RPM								
No. of Flag Lines	up to 18.3 m	18.6 to 45.7 m	46 to 61 m	up to 9.1 m	9.4 to 27.4 m	27.7 to 45.7 m	up to 9.1 m	9.4 to 27.4 m	27.7 to 45.7 m	up to 9.1 m	9.4 to 27.4 m	27.7 to 45.7 m
2	3259-88	3259-88	3259-89	----	----	----	----	----	----	----	----	----
3	3259-88	3259-88	3259-89	----	----	----	----	----	----	----	----	----
4	3259-88	3259-88	3259-89	----	----	----	----	----	----	----	----	----
5	----	----	----	3259-87	3259-88	3259-89	3259-87	3259-88	3259-89	3259-87	3259-88	3259-89
6	----	----	----	3259-87	3259-88	3259-89	3259-87	3259-88	3259-89	3259-87	3259-88	3259-89

220/380 V, 50 Hz, Three Phase Power Units												
Model 75 Fill System						Model 90 Fill System						
348 RPM				348 RPM								
No. of Flag Lines	up to 18.3 m	18.6 to 45.7 m	46 to 61 m	up to 9.1 m	9.4 to 27.4 m	27.7 to 45.7 m	up to 9.1 m	9.4 to 27.4 m	27.7 to 45.7 m	up to 9.1 m	9.4 to 27.4 m	27.7 to 45.7 m
2	3259-103	3259-104	3259-105	----	----	----	----	----	----	----	----	----
3	3259-103	3259-104	3259-105	----	----	----	----	----	----	----	----	----
4	3259-103	3259-104	3259-105	----	----	----	----	----	----	----	----	----
5	----	----	----	3259-103	3259-104	3259-105	3259-103	3259-104	3259-105	3259-103	3259-104	3259-105
6	----	----	----	3259-103	3259-104	3259-105	3259-103	3259-104	3259-105	3259-103	3259-104	3259-105

Installation:

Refer to Figures 1 through 5 for proper component installation information.

1. Install the FLEX-AUGER Fill System as specified in the Installation Manual supplied with the Fill System Control Unit.

Install an Outlet Drop Assembly at each flag line location.

Remove the Funnel from the Control Unit.

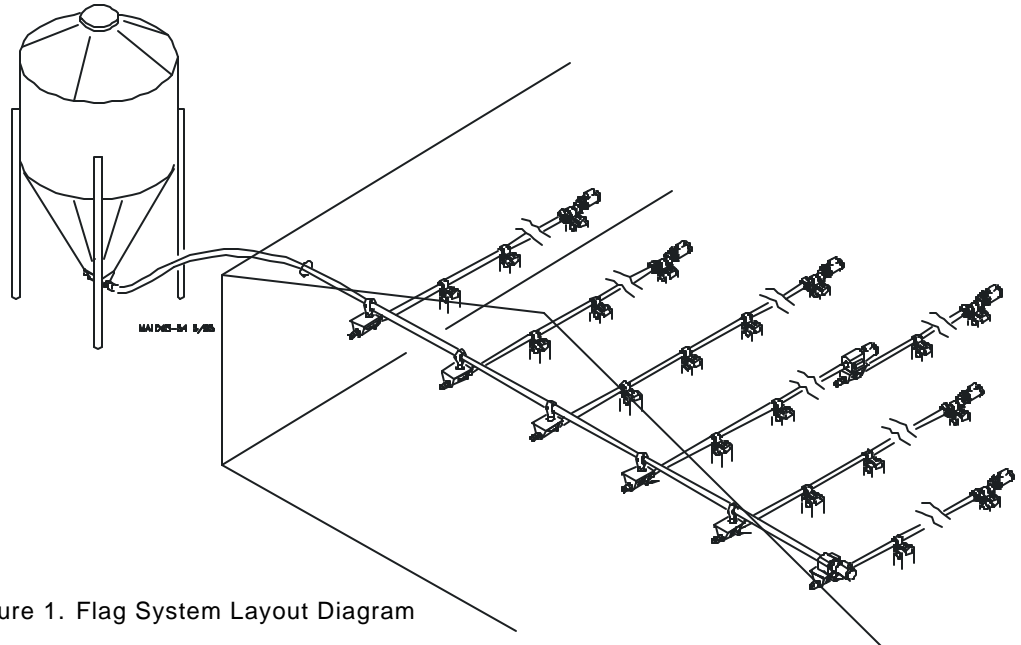


Figure 1. Flag System Layout Diagram

2. An Adapter Plate (Part No. 45970) is required to connect the Fill System Control Unit to the last flag line. The Adapter Plate must be ordered separately.

Secure the Adapter Plate to the control unit, using 1/4-20 hardware supplied with the control unit.

Secure the Transfer Boot to the bottom of the adapter plate, using the 1/4-20 hardware supplied. See Figure 2.

Make sure the outlet end of the boot is directed toward the feeder line.

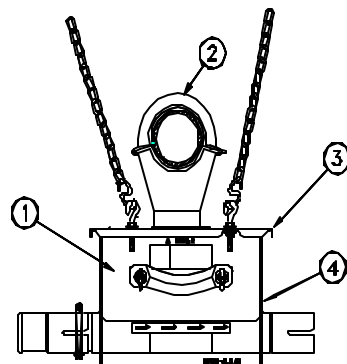
3. Assemble a Transfer Plate to the top of each of the remaining Transfer Boots, using the 1/4-20 eye bolts supplied. See Figure 3.



Key	Description
1	Adapter Plate
2	Transfer Boot
3	Proximity Boot Switch
4	Fill System Control (Model 75 or 90)
5	Outlet End of Boot
6	Flag Line

Figure 2. Fill System Control Unit/Terminal Boot Installation

- Suspend a Boot and Transfer Plate assembly directly below each Outlet Assembly. Make sure the outlet end of the boot is directed toward the feeder line.



Key	Description
1	Clean-Out Cover
2	Outlet Drop
3	Transfer Plate
4	Transfer Boot

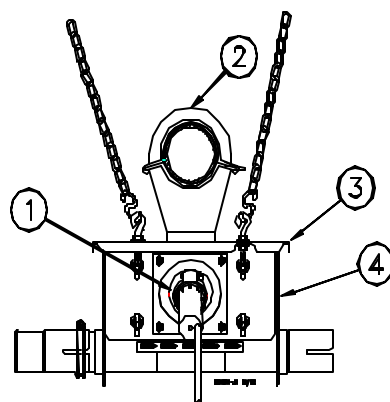
Figure 3. Transfer Boot Installation (w/o Prox. Boot Switch).

The bottom of the Outlet Assembly should pass through the hole in the Transfer Plate. Note: The Transfer Plate hole is sized for a Model 75 Outlet Drop. Enlarge the hole by removing the knock-out for Model 90 Outlet Drops.

It may be necessary to install a Proximity Boot Switch in a Transfer Boot to prevent excessive empty auger running time. See Figure 4. Consider installing a Proximity Boot Switch in any line that would run more than 10 minutes without feed.

- Install the individual feeder lines, feeders, and Control Units as specified in the specific installation manual(s).

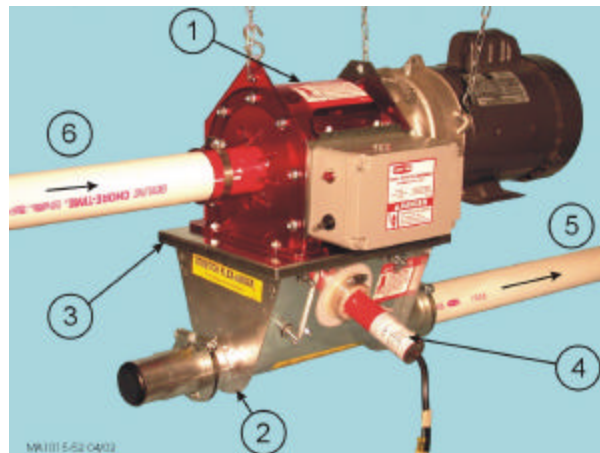
NOTE: The individual feeder lines must be suspended from the ceiling or rafters. Do not use the Fill System Auger Tubes to support the weight of the feeder line.



Key	Description
1	Proximity Boot Switch
2	Outlet Drop
3	Transfer Plate
4	Transfer Boot

Figure 4. Transfer Boot Installation (w/ Prox. Boot Switch).

- Install the Delay/Relay Kit near the Fill System Power Unit.
- For lines over 400' (122 m), a Transfer Boot (w/switch), Adapter Plate, and Control Unit are **required**. Install as shown in Figure 5 near the center of the line.



Key	Description
1	Control Unit
2	Transfer Boot
3	Adapter Plate
4	Proximity Boot Switch
5	Outgoing Feed
6	Incoming Feed

Figure 5. Control Unit/Extension Boot Installation--required for systems over 400 feet (122 m).

Wiring the system:

The Flag System components may be configured in a variety of ways, as specified in Figures 1 and 6 - 9. Determine which layout diagram matches your system and refer to the appropriate wiring diagram for wiring connections.

Note: 1-Phase Control Wiring diagrams for **Standard** and **Alternate Flag Systems #1** are shown on page 14.

3-Phase Control Wiring diagrams for **Standard** and **Alternate Flag Systems #1** are shown on page 15.

System Wiring Diagrams for the **Standard** and **Alternate Flag System #1** layouts are provided on pages 16 through 19.

1-Phase Control Wiring diagrams for **Alternate Flag Systems #2, #3, & #4** are shown on page 20.

3-Phase Control Wiring diagrams for **Alternate Flag Systems #2, #3, & #4** are shown on page 21.

System Wiring Diagrams for the **Alternate Flag Systems #2, #3, & #4** layouts are provided on pages 22 through 26.

Setting the Delay:

Set the 2 to 30 second delay as required to prevent the Fill System Control Unit from short cycling. Setting the delay to approximately 15 seconds is usually a good starting point. The amount of delay may need to be fine tuned to match feed type, system performance, etc.

Alternate Flag System Layout Diagram #1

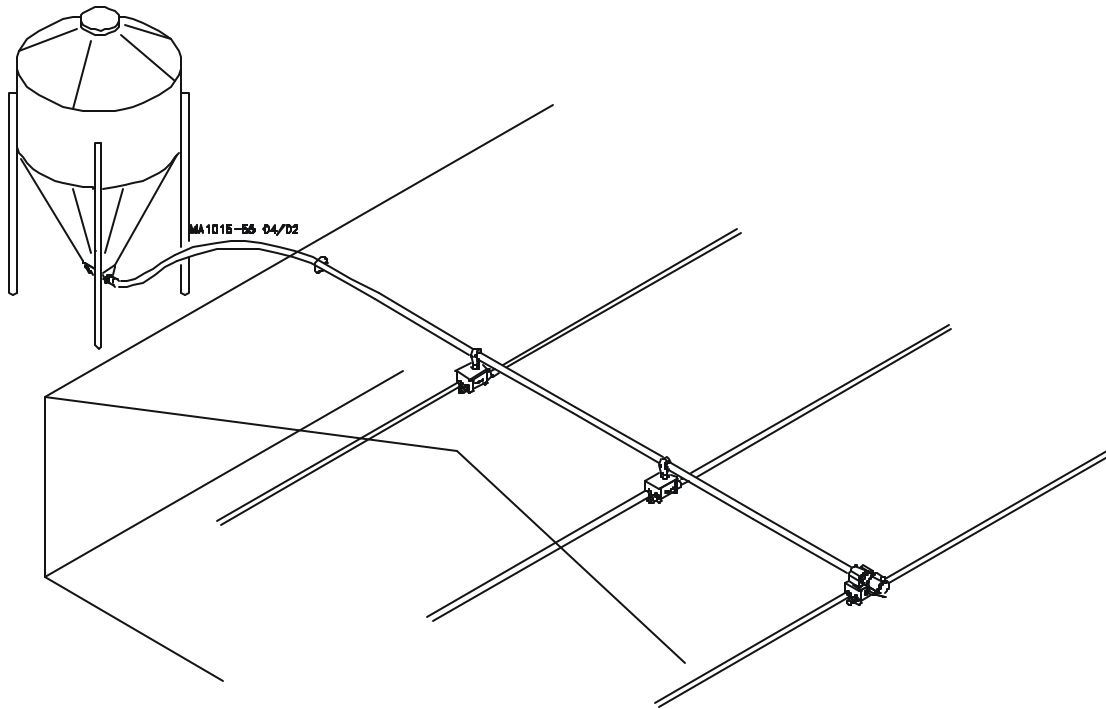


Figure 6. *Twin Boot* Flag System Layout

Alternate Flag System Layout Diagram #2

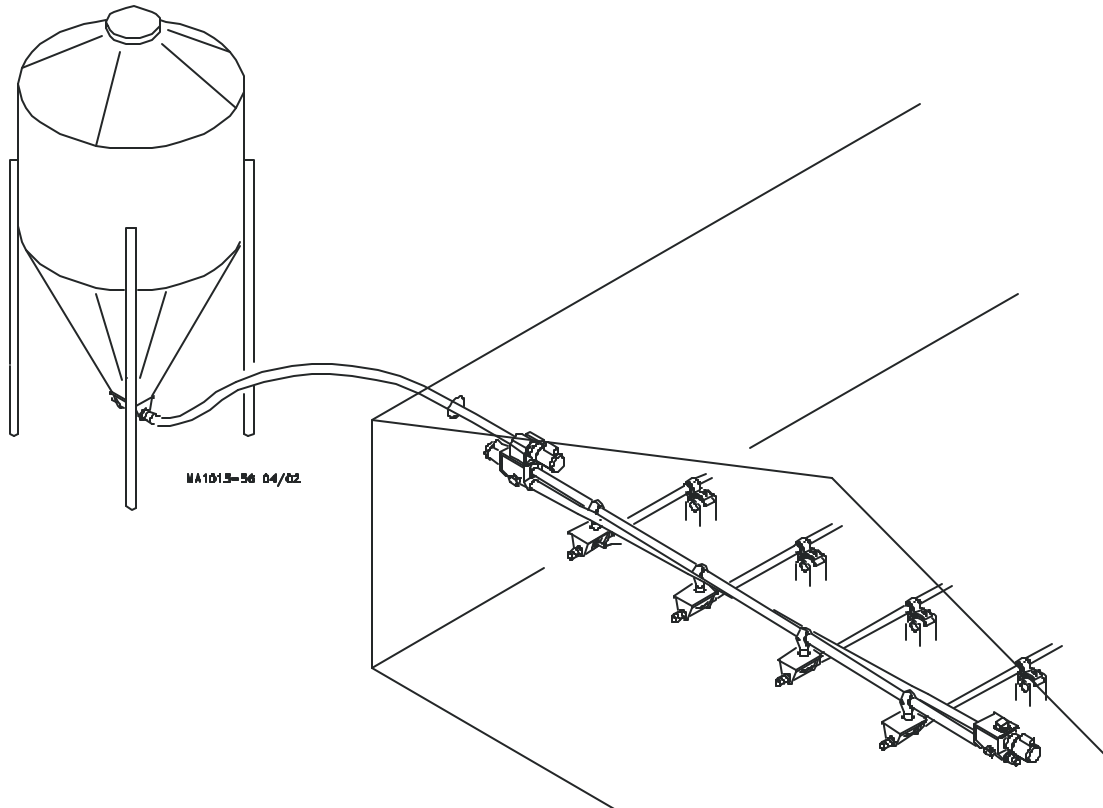


Figure 7. *Return* Flag System Layout

Alternate Flag System Layout Diagram #3

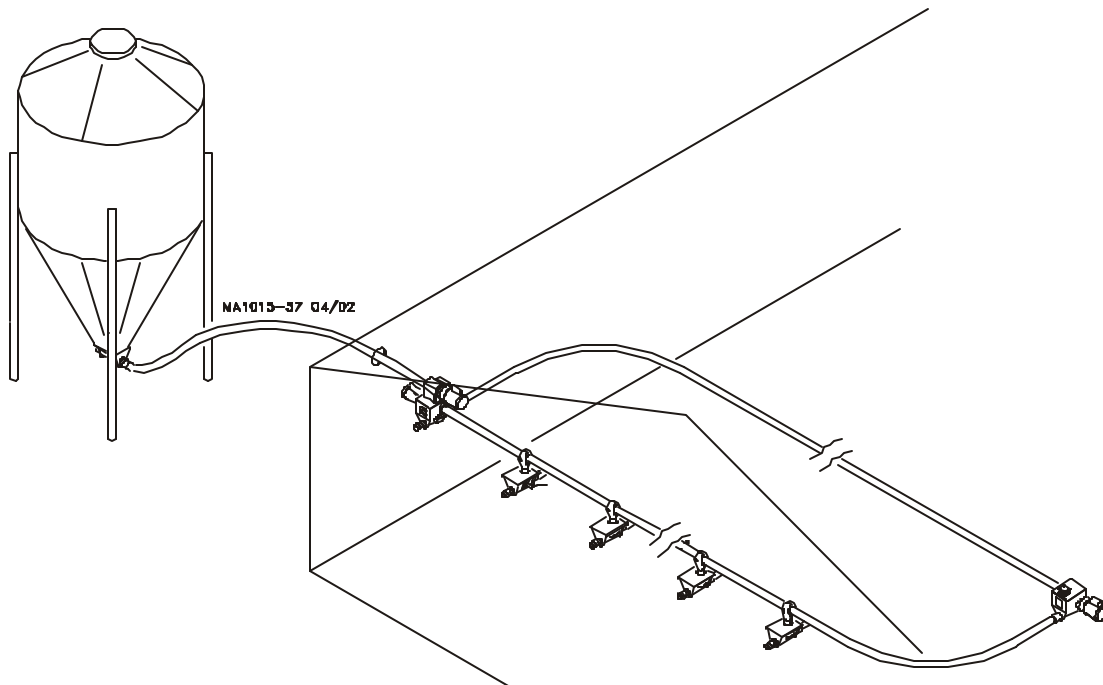


Figure 8. *Circulating Flag System Layout*

Alternate Flag System Layout Diagram #4

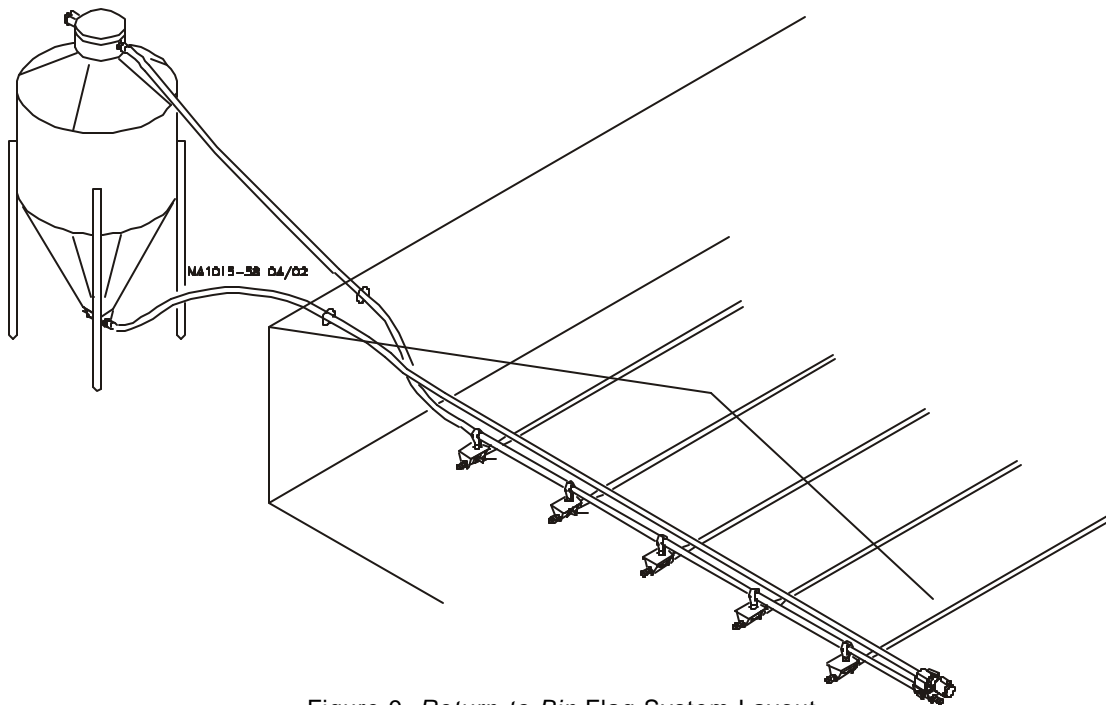
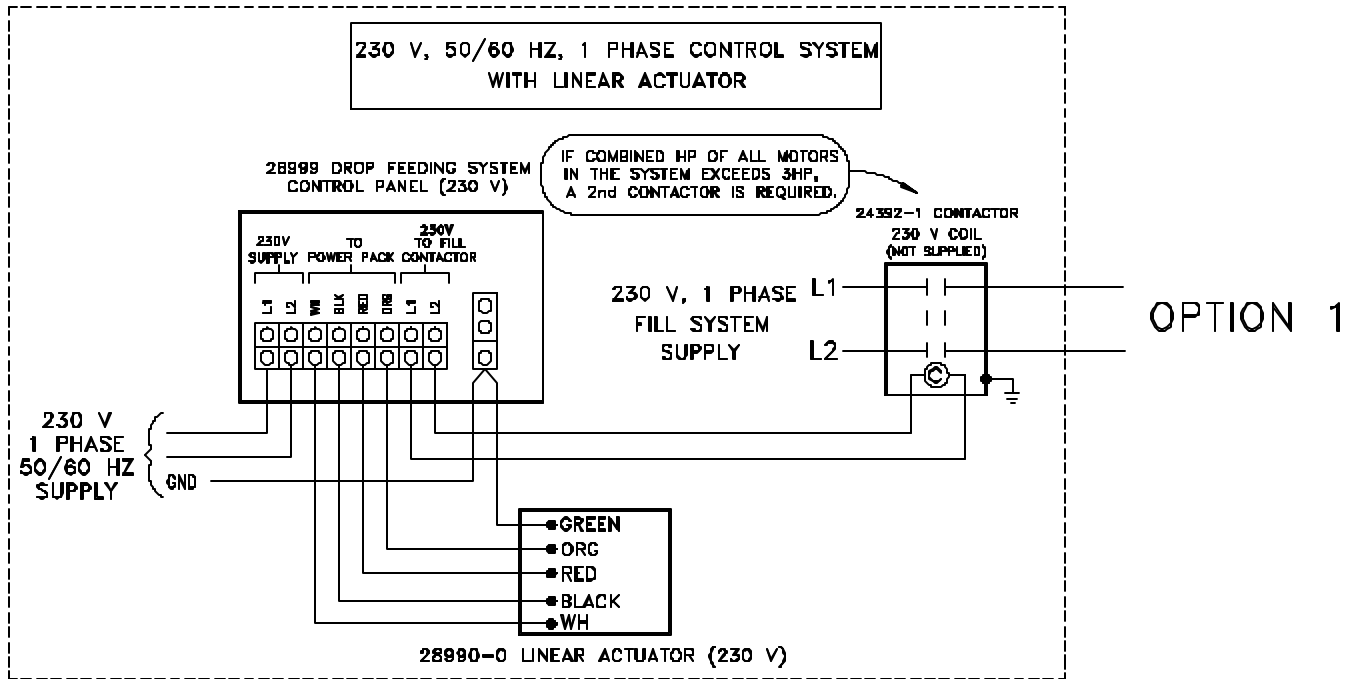


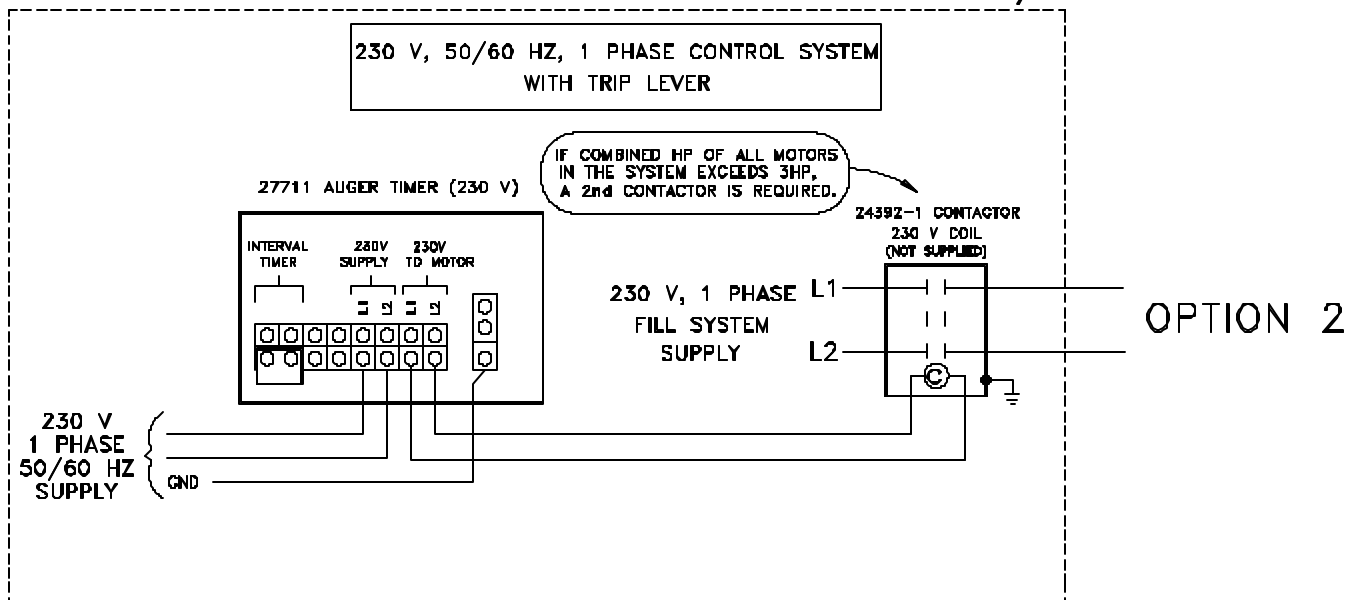
Figure 9. *Return-to-Bin Flag System Layout*

Flag System Control Options

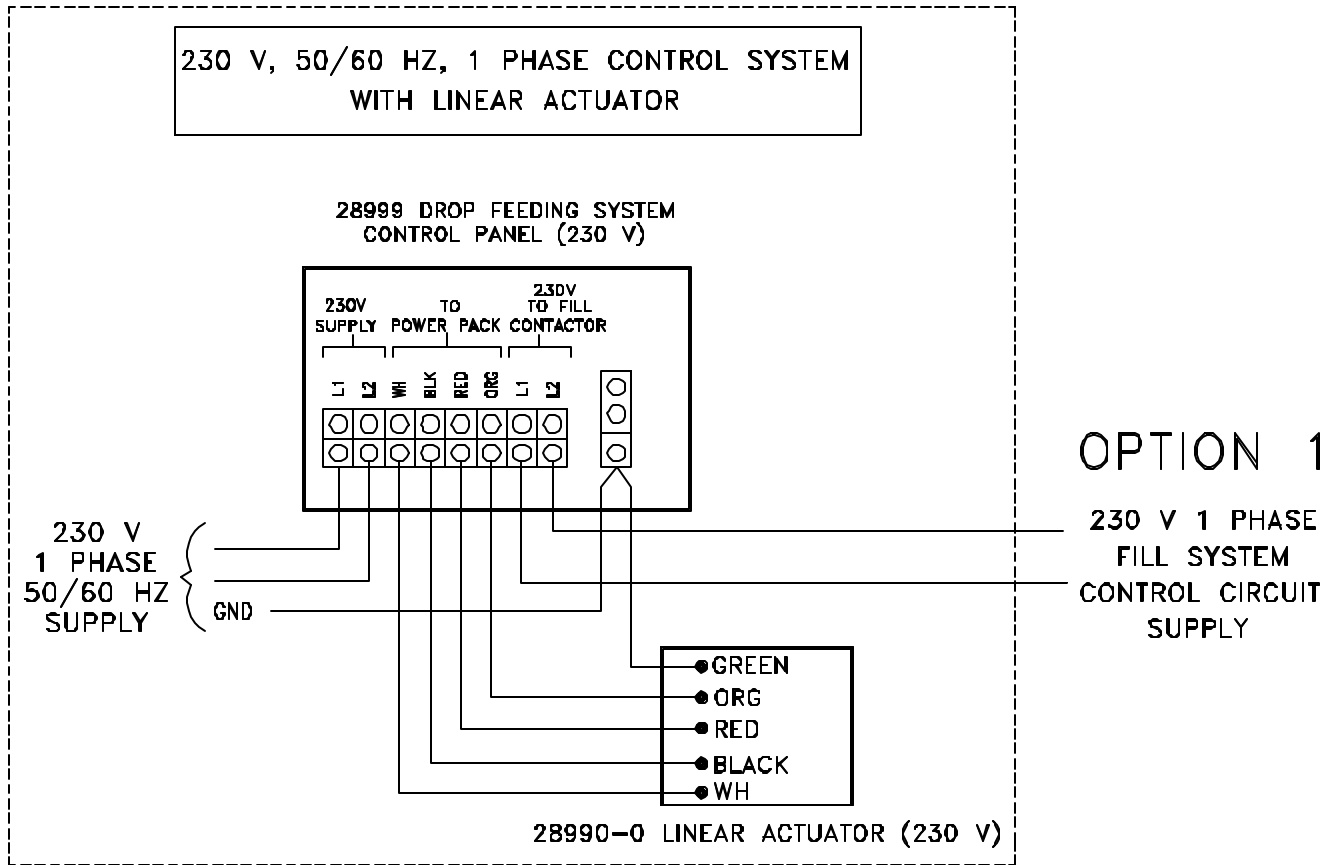
(for 1-Phase Standard and Alternate #1 Flag Systems only)



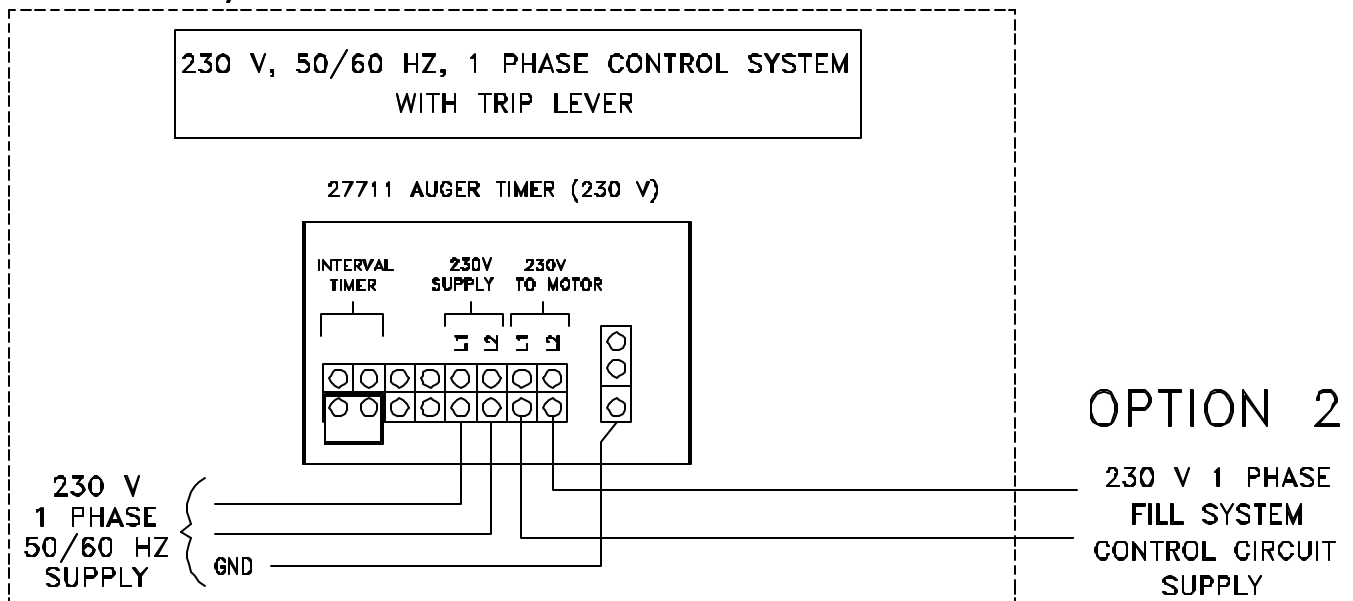
MA1015-65 6/95



Flag System Control Options
(for 3-Phase Standard and Alternate #1 Flag Systems only)

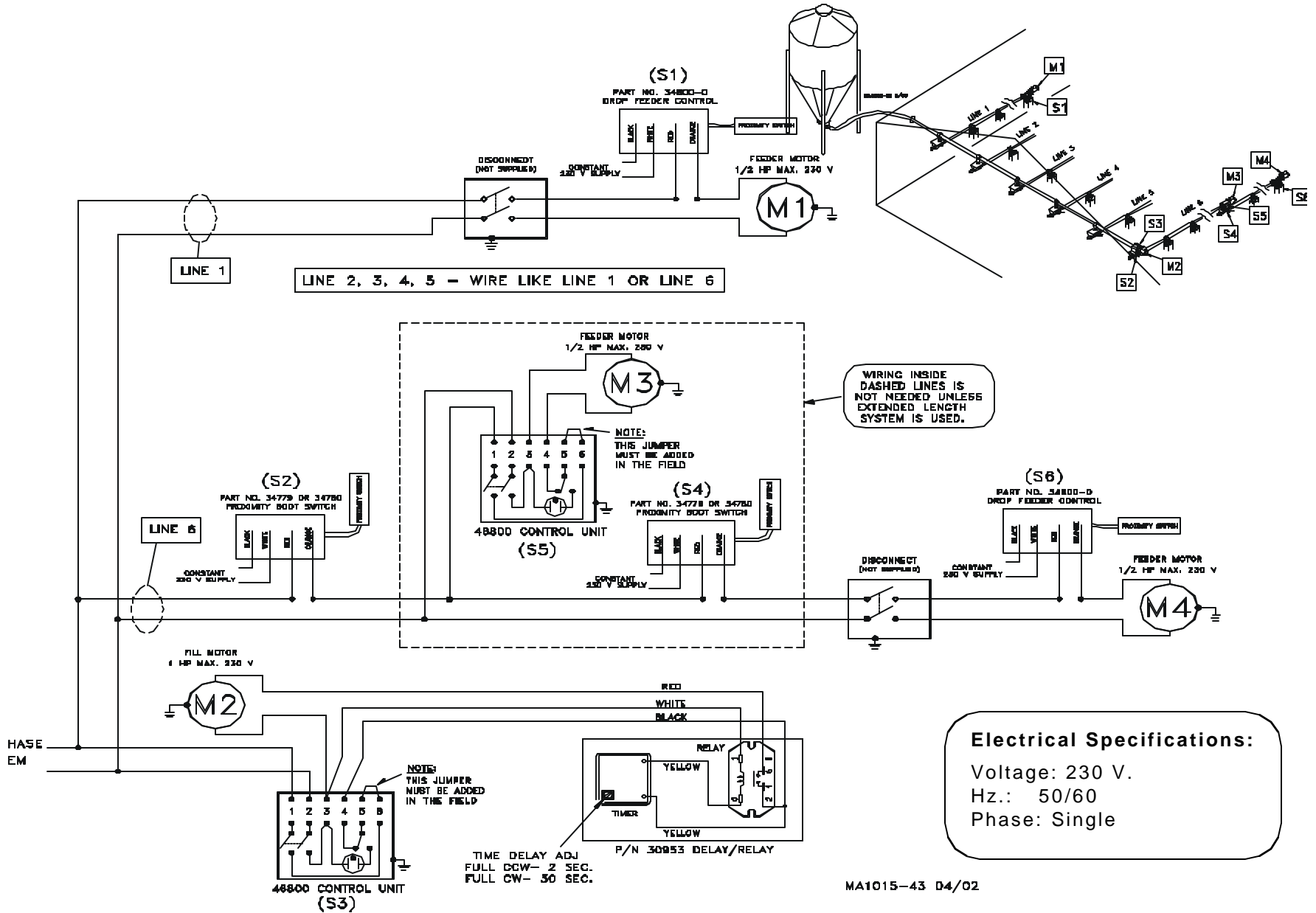


MA1015-25 5/95

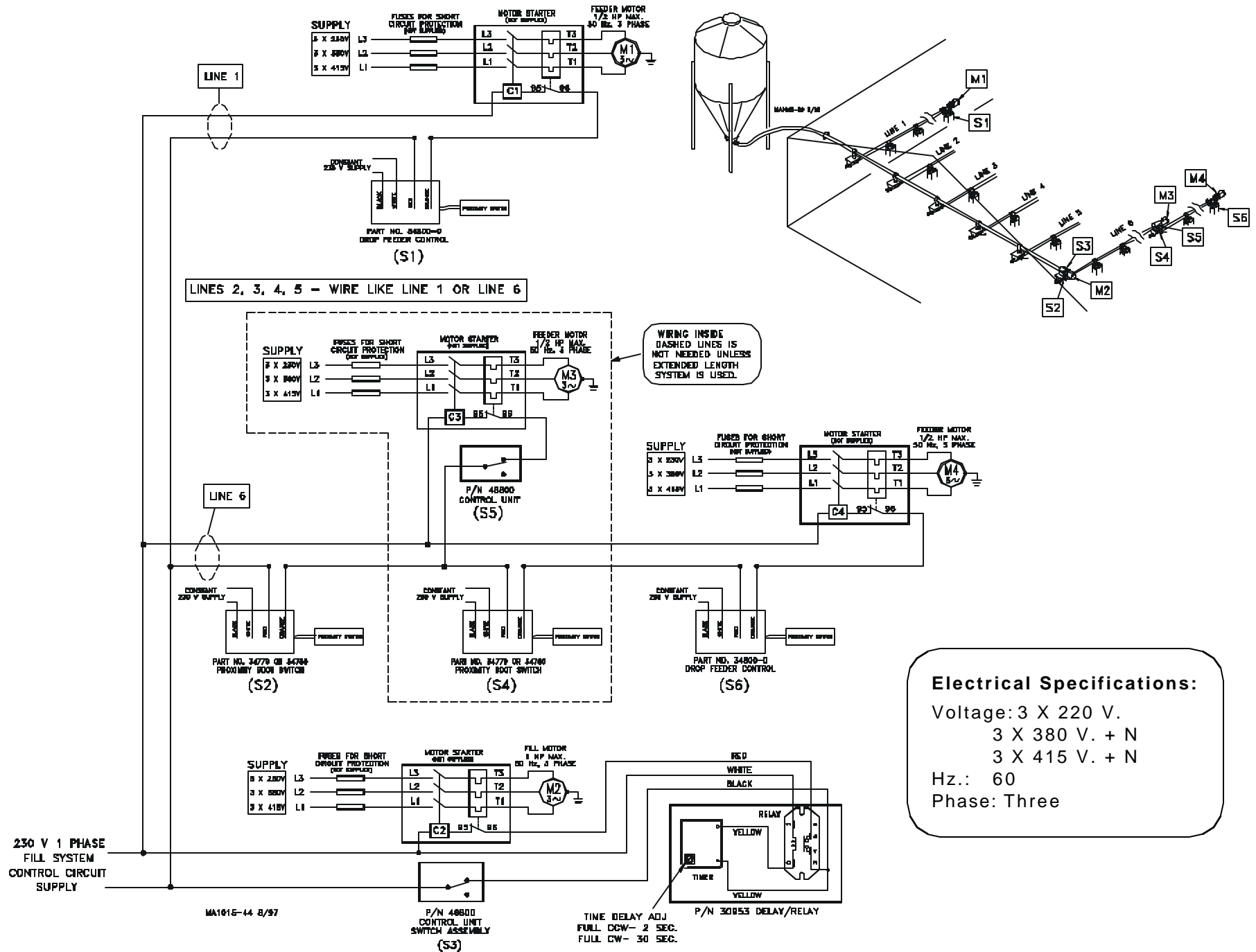


Flag System Control Options

(for 1-Phase Standard Flag Systems only)

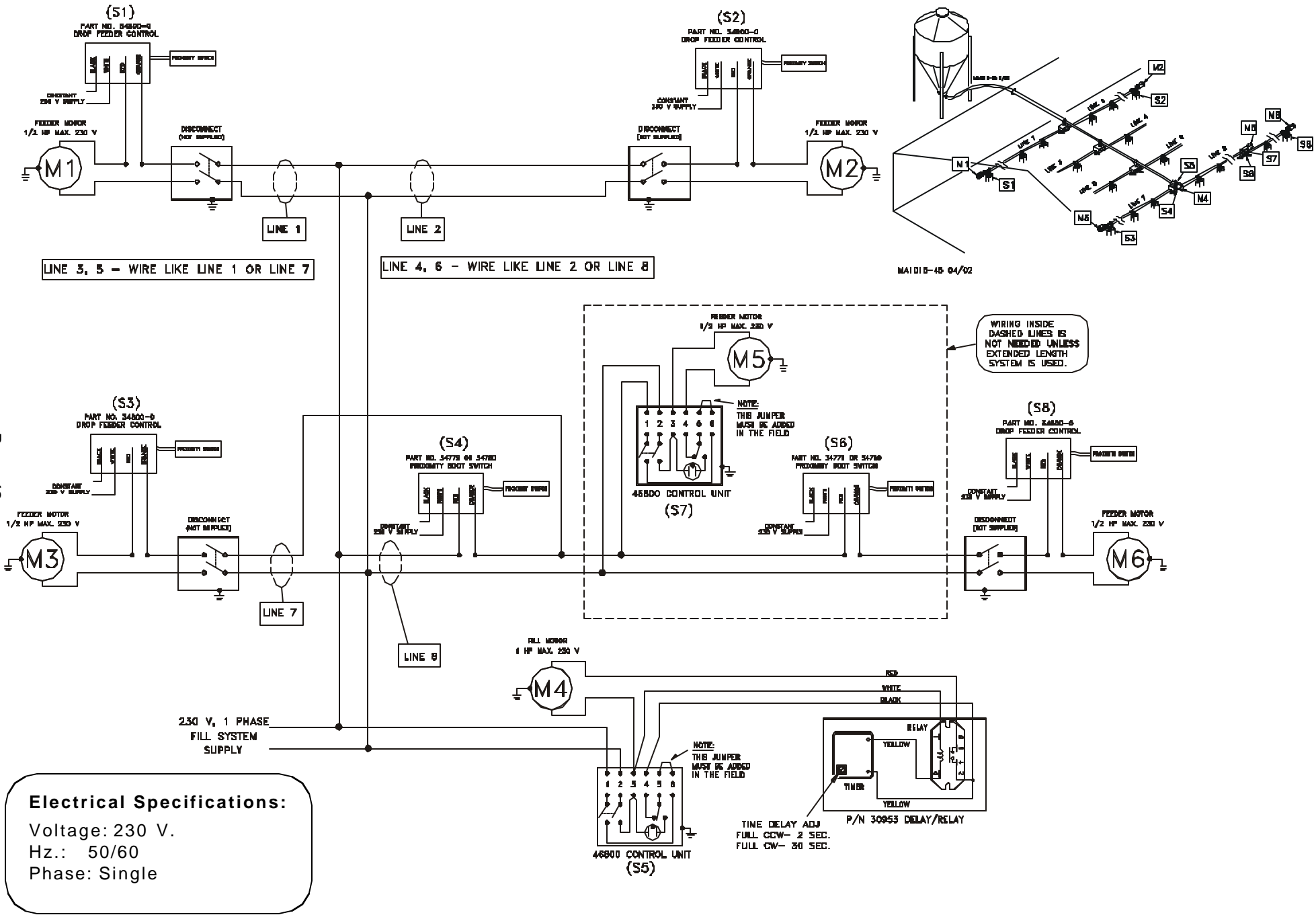


Flag System Control Options (for 3-Phase Standard Flag Systems only)



Flag System Control Options

(for 1-Phase Alternate #1 Flag Systems only)



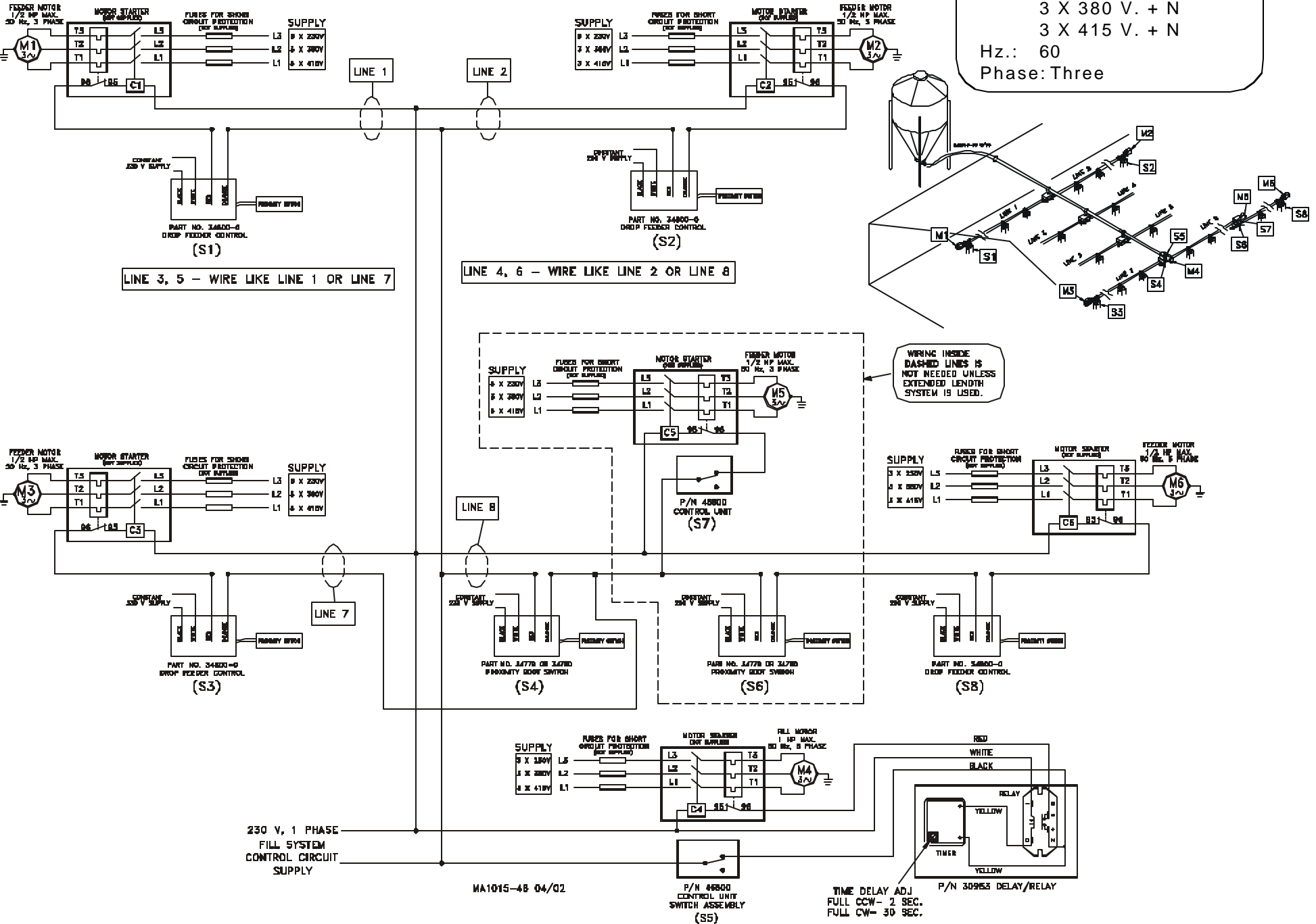
Electrical Specifications:
 Voltage: 230 V.
 Hz.: 50/60
 Phase: Single

Flag System Control Options

(for 3-Phase Alternate #1 Flag Systems only)

Electrical Specifications:
 Voltage: 3 X 220 V.
 3 X 380 V. + N
 3 X 415 V. + N
 Hz.: 60
 Phase: Three

CHORE-TIME FLAG™ Drop Feeding System Installation Manual • Page 19



MA1015-48 04/02

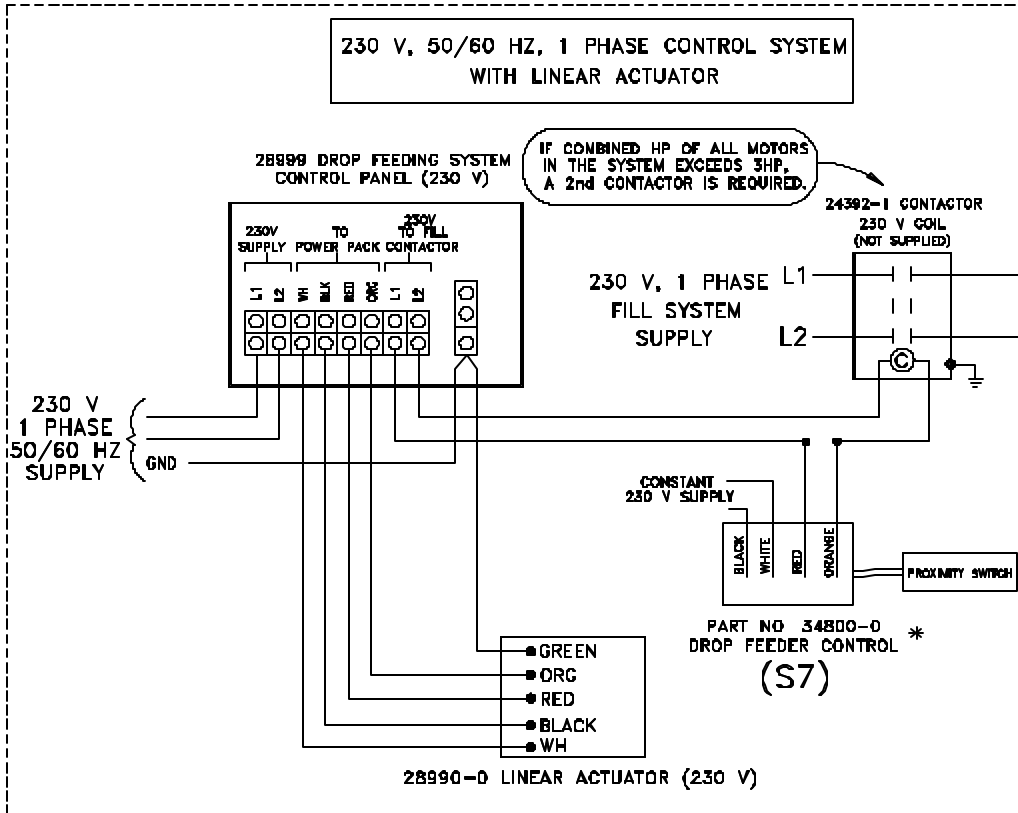
P/N 46800
CONTROL UNIT
SWITCH ASSEMBLY
(S5)

TIME DELAY ADJ.
FULL CCW - 2 SEC.
FULL CW - 30 SEC.

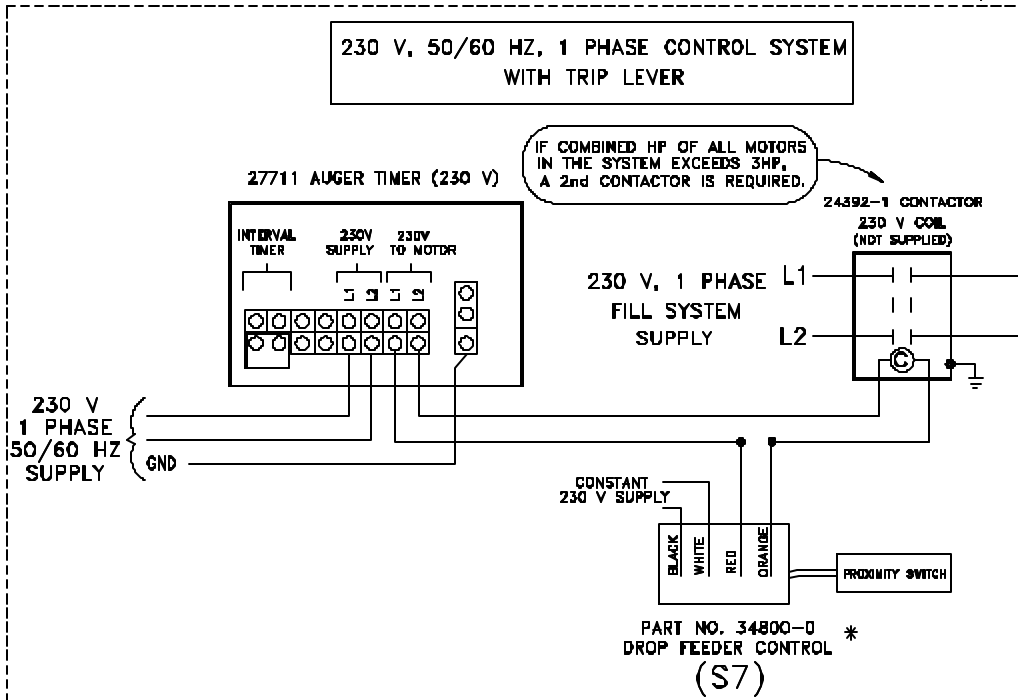
P/N 30953 DELAY/RELAY

Flag System Control Options

(for 1-Phase Alternate #2, #3, & #4 Flag Systems only)

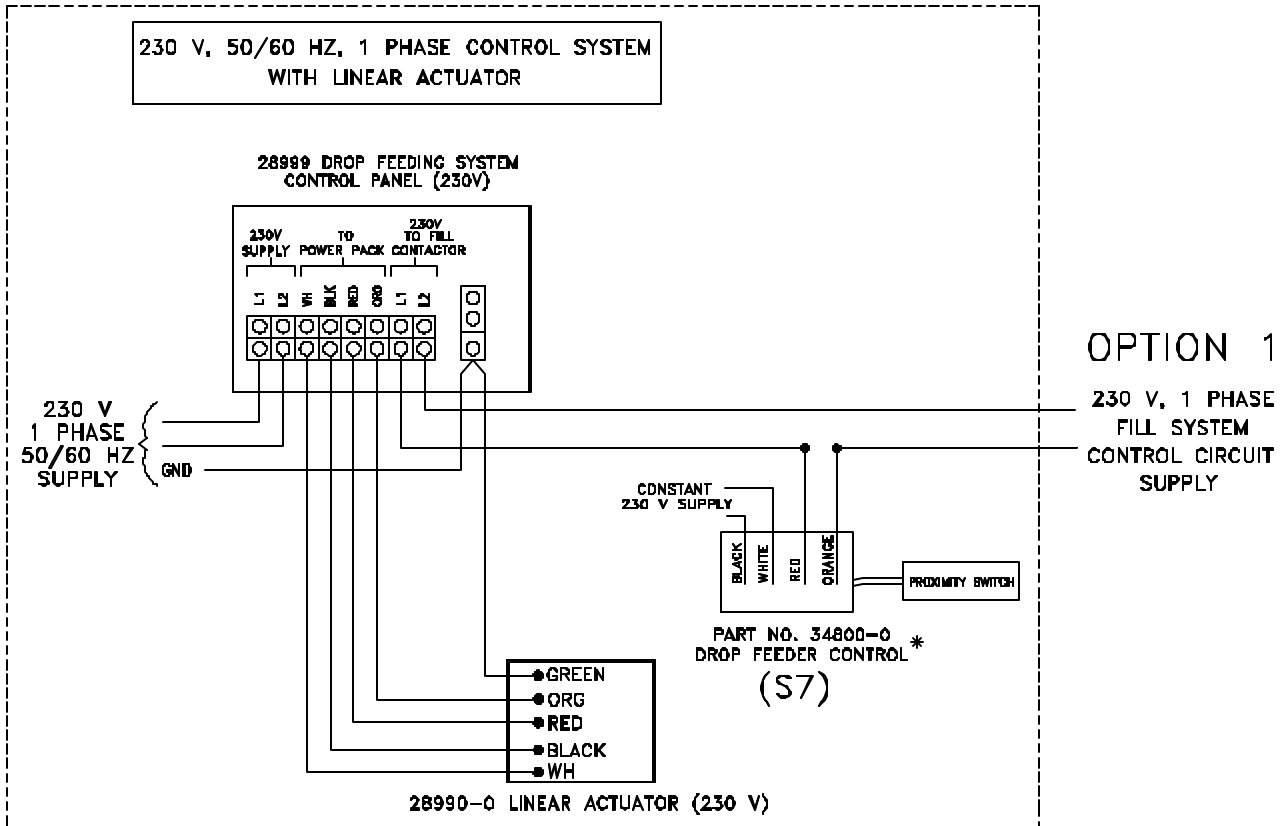


MA1015-66 8/97

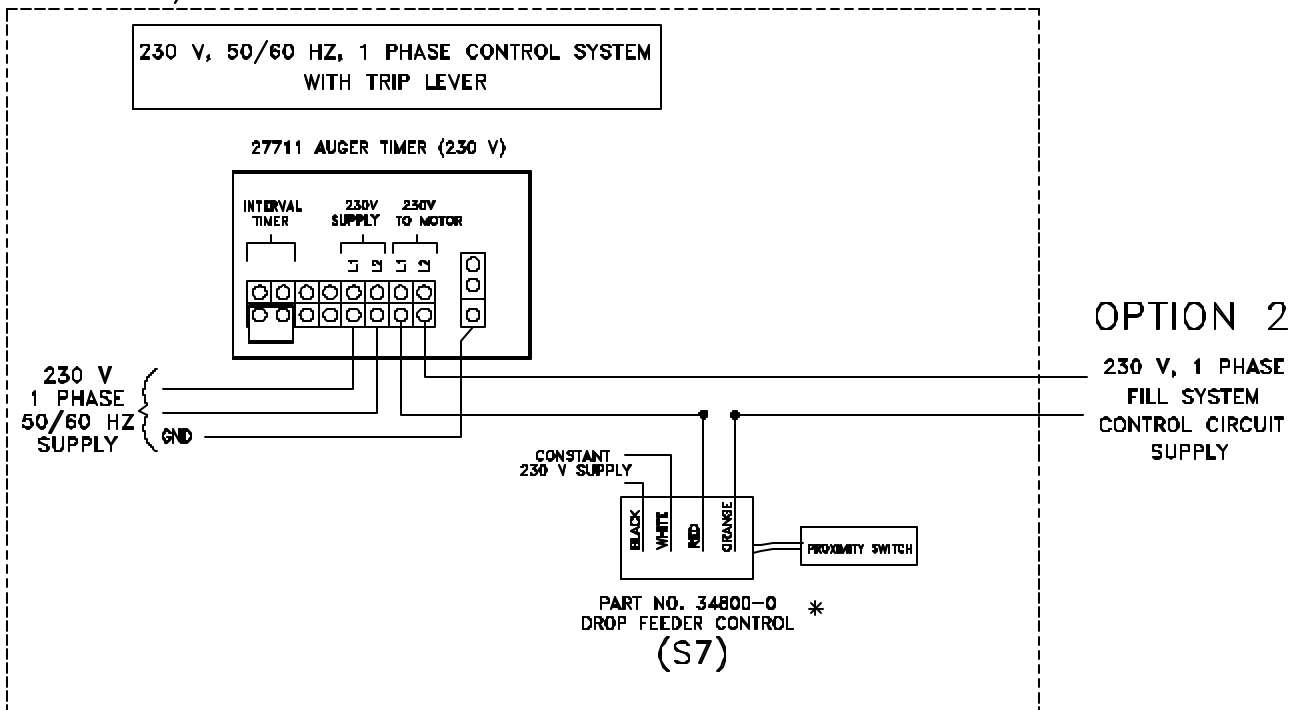


* CONTROL UNIT ON LINE REQUIRING LONGEST TIME TO FILL

Flag System Control Options
(for 3-Phase Alternate #2, #3, & #4 Flag Systems only)

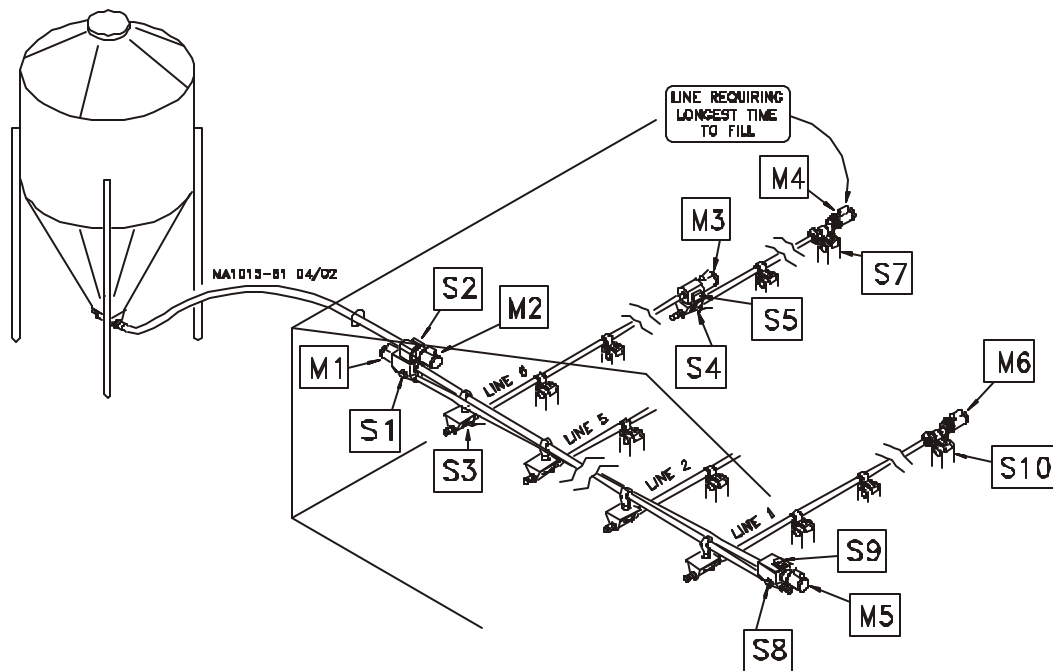


MA1015-67 8/97

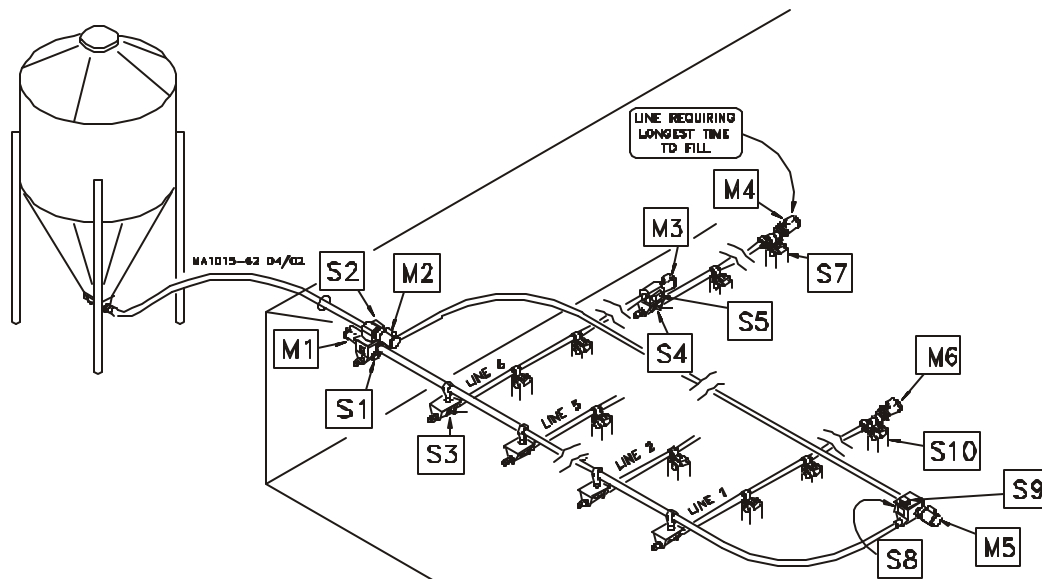


* CONTROL UNIT ON LINE REQUIRING LONGEST TIME TO FILL

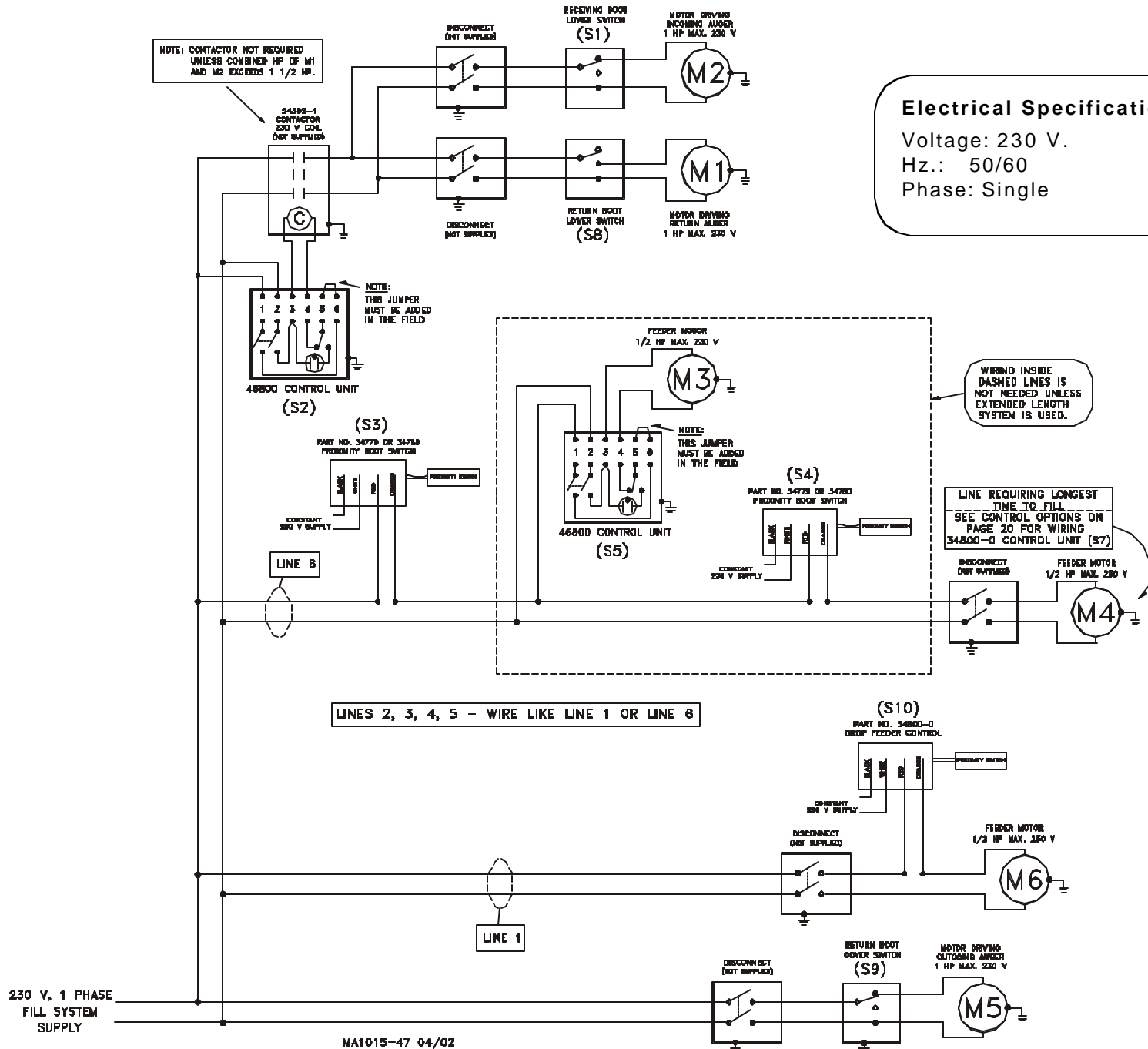
*Flag System Control Options
(for 1-Phase Alternate #2 Flag Systems only)*



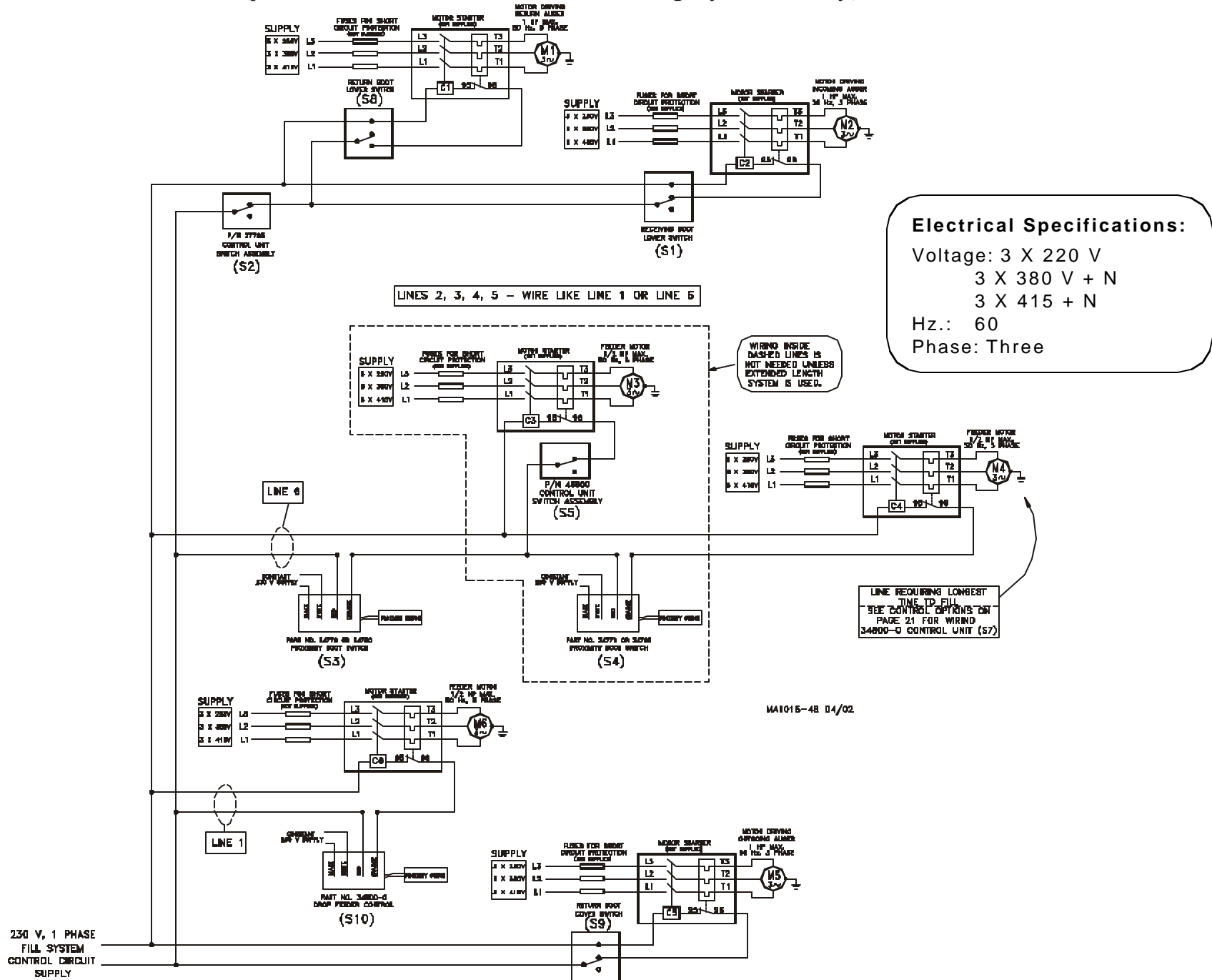
*Flag System Control Options
(for 1-Phase Alternate #3 Flag Systems only)*



Flag System Control Options (for 1-Phase Alternate #2 & #3 Flag Systems only)

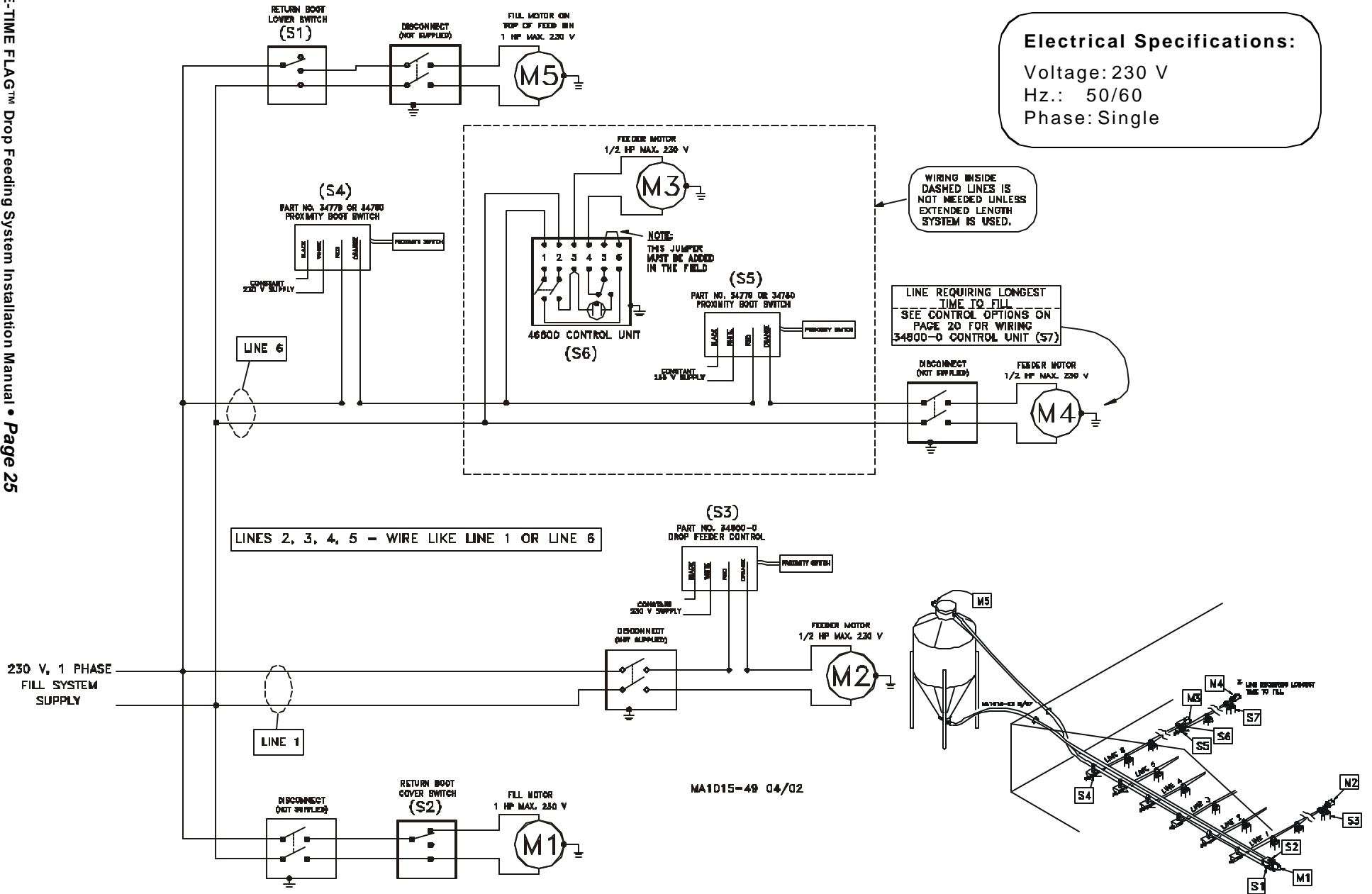


Flag System Control Options (for 3-Phase Alternate #2 & #3 Flag Systems only)



Flag System Control Options

(for 1-Phase Alternate #4 Flag Systems only)



Electrical Specifications:
 Voltage: 230 V
 Hz.: 50/60
 Phase: Single

WIRING INSIDE DASHED LINES IS NOT NEEDED UNLESS EXTENDED LENGTH SYSTEM IS USED.

LINE REQUIRING LONGEST TIME TO FILL SEE CONTROL OPTIONS ON PAGE 20 FOR WIRING 48600-0 CONTROL UNIT (S7)

NOTE: THIS JUMPER MUST BE ADDED IN THE FIELD

LINES 2, 3, 4, 5 - WIRE LIKE LINE 1 OR LINE 6

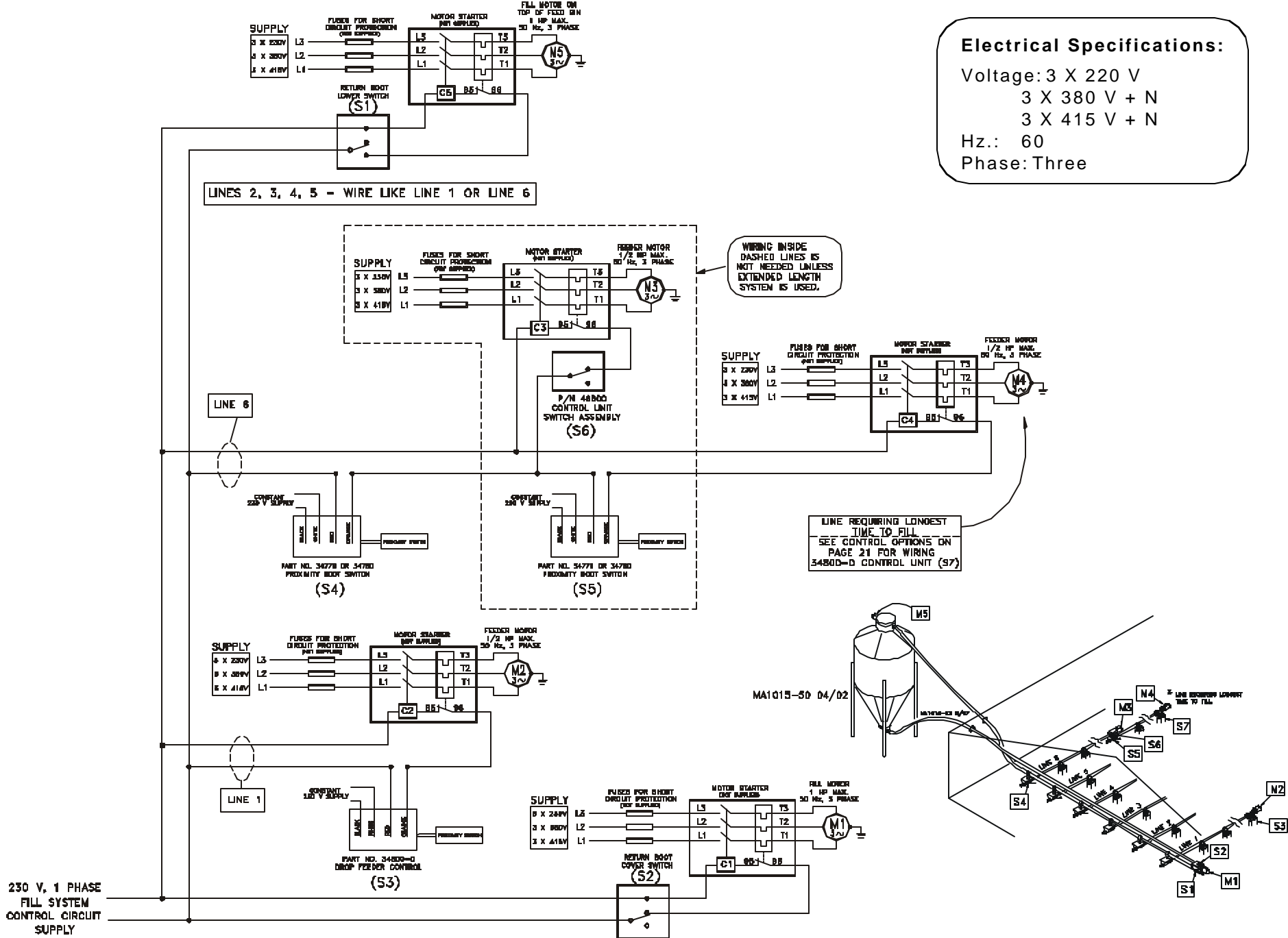
* LINE REQUIRING LONGEST TIME TO FILL

MA1015-49 04/02

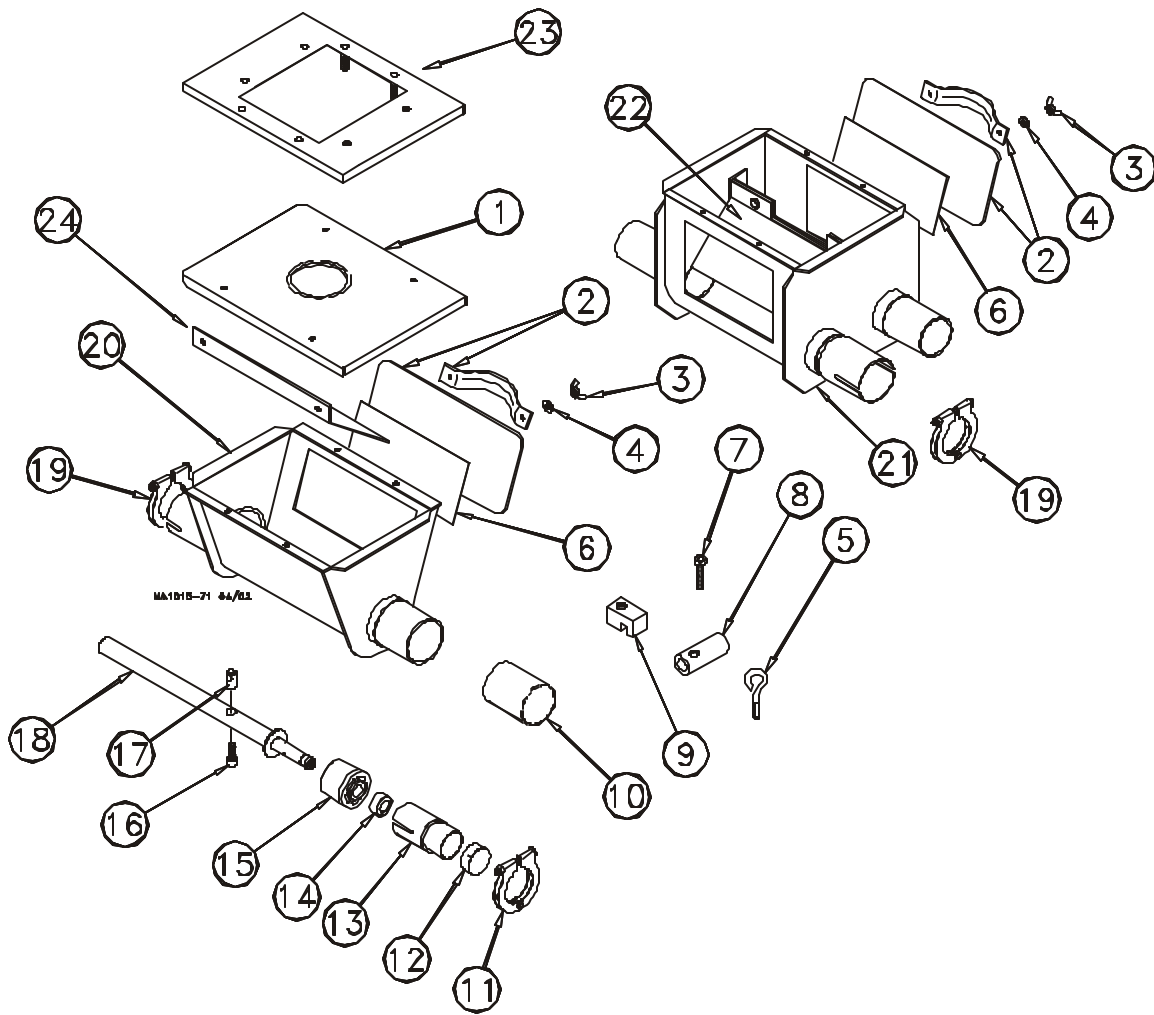
Flag System Control Options

(for 3-Phase Alternate #4 Flag Systems only)

Electrical Specifications:
 Voltage: 3 X 220 V
 3 X 380 V + N
 3 X 415 V + N
 Hz.: 60
 Phase: Three



Transfer Boot Assembly
Single Part No.: 35727 • Twin Part No.: 35942



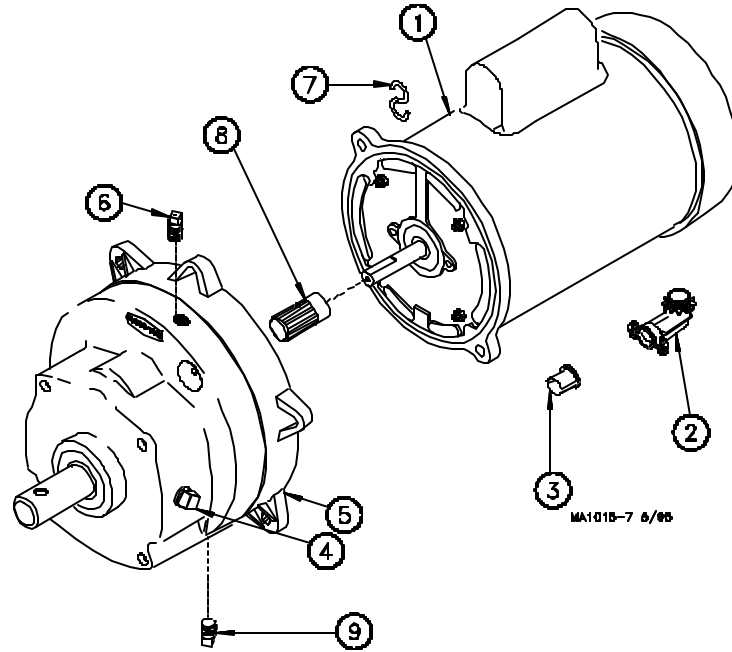
Key	Description	Part No.	Key	Description	Part No.
1	Transfer Cover	29872	19	Model 55 Tube Clamp	35726
2	Clean-Out Cover	6301	20	Boot Body Weldment (Single)	35646
3	5/16-18 Wing Nut	2146	21	Boot Body Weldment (Twin)	35936
4	Sealing Washer	8491	22	Twin Flag Baffle	35941
5	1/4-20 Eyebolt	1928	23***	Adapter Plate	45970
6	Back Plate Assembly	6298	24	Single Flag Boot Baffle	35646
7*	1/4-20 x 2" Socket Hd C.S.	5083-4	--	Danger Decal	2527-9
8*	Drive Tube	30932			
9*	Driver Block	4642			
10	5" Stub Tube	8555			
11	2" Clamp	29520			
12	Cap	29523			
13	Stub Tube	4163			
14**	Set Collar	1386			
15**	Anchor Bearing	39407			
16**	Socket Screw	6850-6			
17**	Auger Clamp	39205			
18**	Flag Anchor	39414			

*These items may be ordered as an assembly under CHORE-TIME Part No. 30931.

**These items may be ordered as an assembly under CHORE-TIME Part No. 39408.

***The Adapter Plate is not included with the Transfer Boot Assemblies. It must be ordered separately.

3259-0 Fill System Power Units for Flag Systems



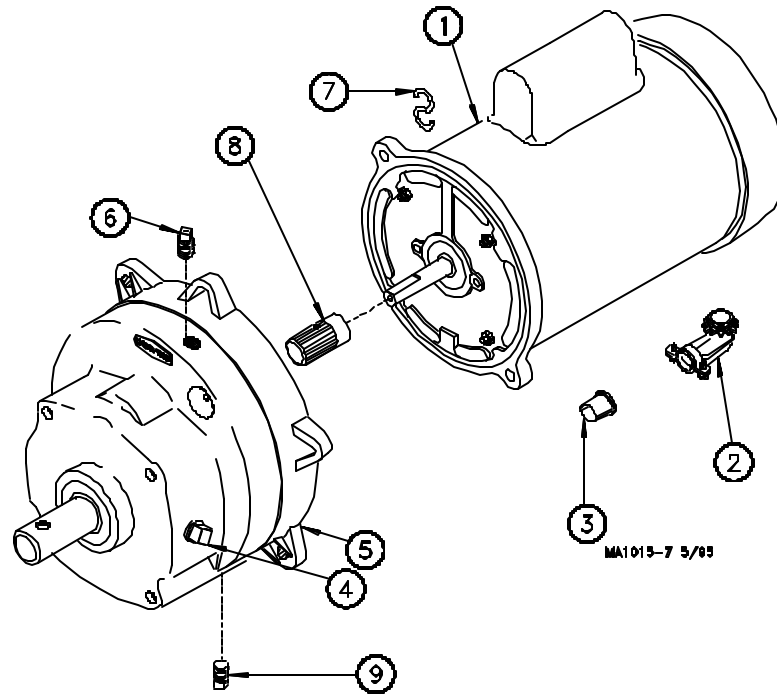
<u>Item</u>	<u>Description</u>	<u>3259-49</u> <u>Part No.</u>	<u>3259-51</u> <u>Part No.</u>	<u>3259-52</u> <u>Part No.</u>	<u>3259-77</u> <u>Part No.</u>	<u>3259-78</u> <u>Part No.</u>	<u>3259-79</u> <u>Part No.</u>	<u>3259-88</u> <u>Part No.</u>
1	Motor	6857	5050	5051	5050	5051	6857	6305
2	90 Degree Connector	4228	4228	4228	4228	4228	4228	4228
3	Anti-Short Bushing	6304	6304	6304	6304	6304	6304	6304
4	Pipe Plug	2755	2755	2755	2755	2755	2755	2755
5	Gearhead	3261-7	3261-7	3261-7	3261-10	3261-10	3261-6	3261-10
6	Vent Plug	3523	3523	3523	3523	3523	3523	3523
7	S Hook	4270	4270	4270	4270	4270	4270	4270
8	Pinion Assembly	6104	5046	5046	5046	5046	3249	5046
9	Magnetic Pipe Plug	30160	30160	30160	30160	30160	30160	30160

<u>Item</u>	<u>Description</u>	<u>3259-89</u> <u>Part No.</u>	<u>3259-103</u> <u>Part No.</u>	<u>3259-104</u> <u>Part No.</u>	<u>3259-105</u> <u>Part No.</u>
1	Motor	26157	28035	28034	28035
2	90 Degree Connector	4228	4228	4228	4228
3	Anti-Short Bushing	6304	6304	6304	6304
4	Pipe Plug	2755	2755	2755	2755
5	Gearhead	3261-10	3261-10	3261-10	3261-10
6	Vent Plug	3523	3523	3523	3523
7	S Hook	4270	4270	4270	4270
8	Pinion Assembly	6104	5046	5046	6104
9	Magnetic Pipe Plug	30160	30160	30160	30160

Power Unit Assembly Part Numbers:

<u>Part Number</u>	<u>HP</u>	<u>RPM</u>	<u>Phase</u>	<u>Hz</u>	<u>Voltage</u>
3259-49	1 HP	348 RPM	Single Phase	60 Hz	230
3259-51	1/2 HP	348 RPM	Single Phase	60 Hz	230
3259-52	3/4 HP	348 RPM	Single Phase	60 Hz	230
3259-77	1/2 HP	425 RPM	Single Phase	60 Hz	230
3259-78	3/4 HP	425 RPM	Single Phase	60 Hz	230
3259-79	1 HP	425 RPM	Single Phase	60 Hz	230
3259-88	3/4 HP	348 RPM	Single Phase	50 Hz	220
3259-89	1 HP	348 RPM	Single Phase	50 Hz	220
3259-103	1/2 HP	348 RPM	Three Phase	50 Hz	220/380-415
3259-104	3/4 HP	348 RPM	Three Phase	50 Hz	220/380-415
3259-105	1 HP	348 RPM	Three Phase	50 Hz	220/380-415

3259-0 Flag Line Power Units



<u>Item</u>	<u>Description</u>	<u>3259-34</u> <u>Part No.</u>	<u>3259-39</u> <u>Part No.</u>	<u>3259-98</u> <u>Part No.</u>	<u>3259-100</u> <u>Part No.</u>
1	Motor	4229	5703	5977	28031
2	90 Degree Connector	4228	4228	4228	4228
3	Anti-Short Bushing	6304	6304	6304	6304
4	Pipe Plug	2755	2755	2755	2755
5	Gearhead	3261-5	3261-5	3261-11	3261-11
6	Vent Plug	3523	3523	3523	3523
7	S Hook	4270	4270	4270	4270
8	Pinion Assembly	5046	5046	5046	5046
9	Magnetic Pipe Plug	30160	30160	30160	30160

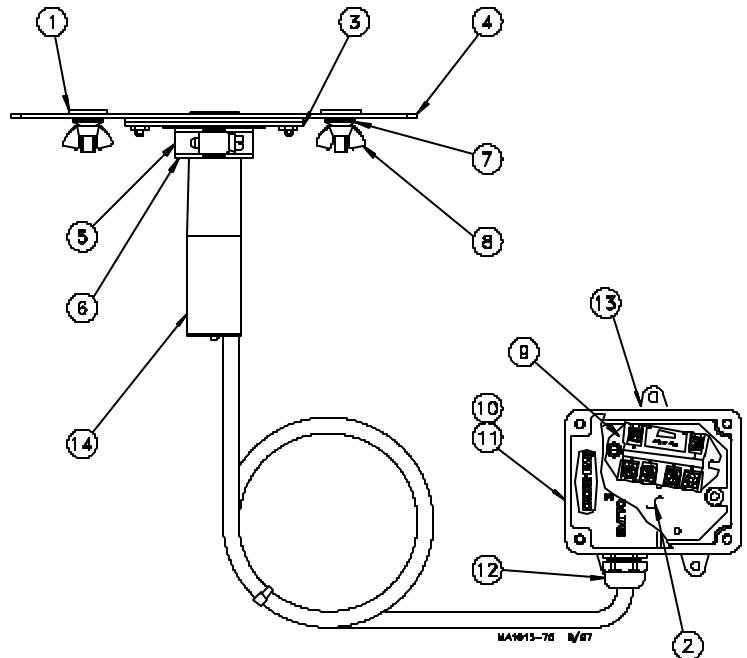
Power Unit Assembly Part Numbers:

<u>Part Number</u>	<u>HP</u>	<u>RPM</u>	<u>Phase</u>	<u>Hz</u>	<u>Voltage</u>
3259-34	1/3 HP	348 RPM	Single Phase	60 Hz	230
3259-39	1/2 HP	348 RPM	Single Phase	60 Hz	230
3259-98	1/2 HP	348 RPM	Single Phase	50 Hz	220
3259-100	1/2 HP	348 RPM	Three Phase	50 Hz	220/380-415

Proximity Boot Switch Assembly

Part No.: 34779

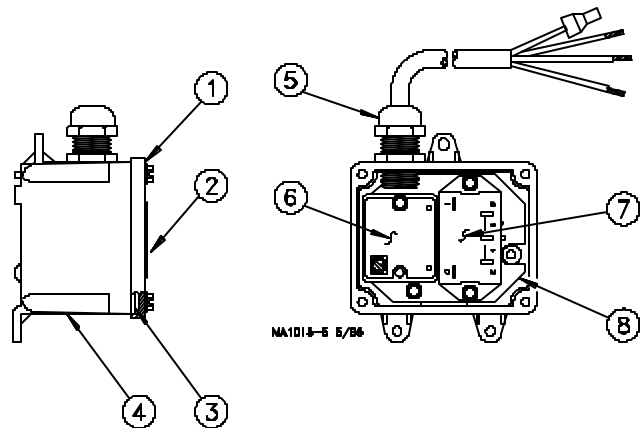
Item	Description	Part No.
1	Retainer Bracket	30942
2	Box Plate	24321
3	Window Plate	7842
4	Switch Cover Plate	30941
5	Adjustable Clamp	3527
6	Proximity Plate Weldment	34758
7	Sealing Washer	8491
8	5/16-18 Wing Nut	2146
9	230 V. Relay	34654
10	Switch Box Gasket	6777
11	Switch Box Cover	6776
12	1/2" Liquid Tight Connector	23779
13	Switch Box	24702
14	Proximity Switch	34255



Delay Relay Kit

Part No. 30953

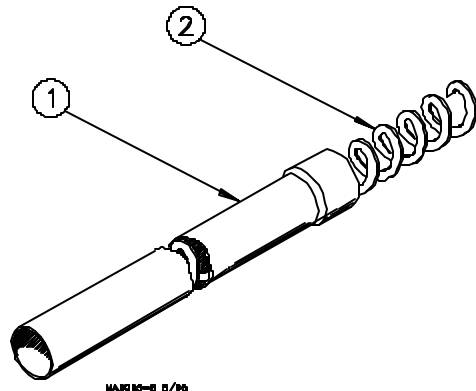
Key	Description	Part No.
1	Switch Box Cover	6776
2	Decal	2529-400
3	Gasket	6777
4	Switch Box	33814
5	1/2" Liquid Tight Connector	23779
6	ON Delay Timer	24411
7	Relay	24335
8	Box Plate	24321



Miscellaneous Components

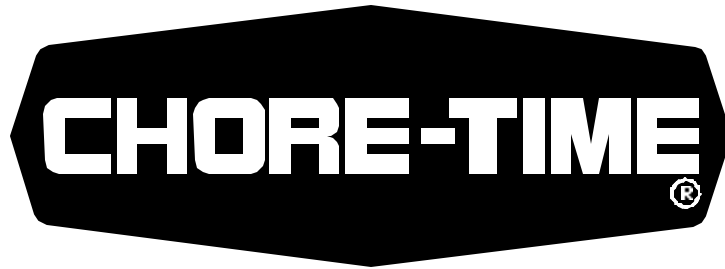
Key	Description	Part No.
1	10' PVC Tube	7955
2*	Auger	25058F-0
--	Extension Boot Control Unit	6500-8

*Auger may be ordered in lengths from 50 ft. (15.2 m) to 400 ft. (122 m). Example: 25058F-150 would represent 150 ft. (45.7 m) of 25058F Auger.



This Page Intentionally Left Blank.

***THANK-YOU for purchasing a Chore-Time
Flag Delivery System.***



Made to work.
Built to last.

Contact your nearby Chore-Time distributor or representative for additional parts and information.

Chore-Time Equipment, A Division of CTB, Inc.
P.O. Box 2000, Milford, Indiana 46542-2000 U.S.A.
Phone: 574-658-4101 • E-Mail: ctb@ctbinc.com

Printed in the U.S.A.