



# Single and Twin Bin Fill Cap Kits

Model 108 • Model 90 • Model 75

## Introduction

The Single or Twin Fill Cap Kits replace the existing lid on top of the receiving bin of a bin fill system.

The Fill Cap Kit includes a removable lid. This allows the receiving bin to be filled from a feed truck, etc., without disrupting the bin fill system.

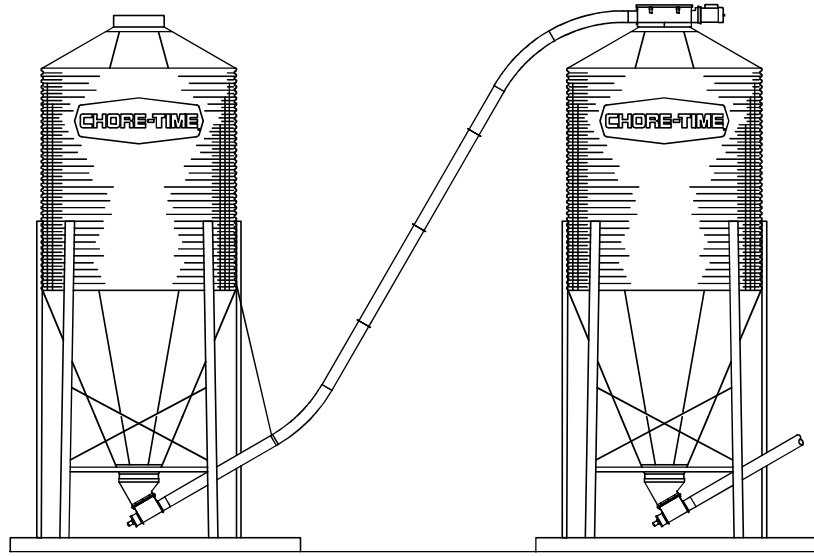
## Installation

Refer to the parts list drawing on page 2 as required for assembly.

1. Place the Sponge Tubing over the lip of the bin opening.
2. On the Twin Bin Cover Weldment, bolt the two Tube Anchor Weldments to the same end of the Cover Weldment.
3. On the Single Bin Cover Weldment the short Tube Anchor Weldment goes on the outside of the Cover Weldment.

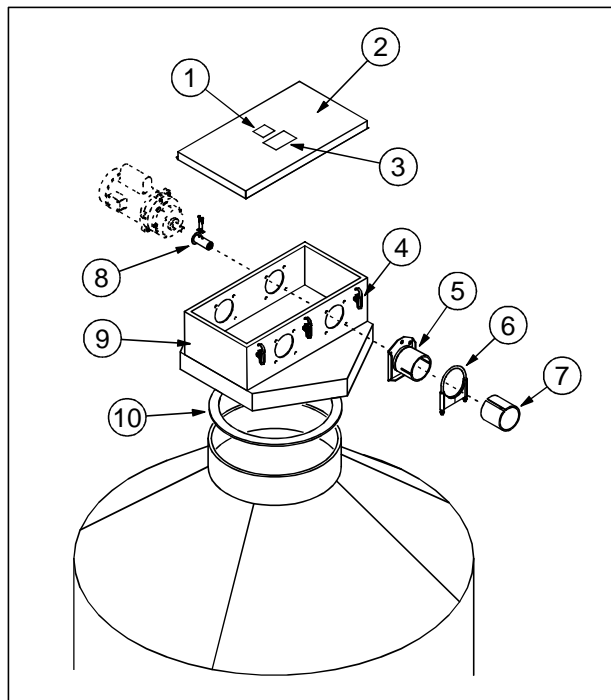
The long Tube Anchor Weldment must be installed on the inside of the Cover Weldment. The long Tube Anchor Weldment is only required on Model 108 Single Bin Fill Cap Kits.

4. Set the Cover Weldment over the bin opening in line with the first bin.
5. Run the auger tubes from the boot on the first bin to the Cover Weldment.  
Use a Tube Clamp to secure the auger tube(s) to the Tube Anchor Weldment(s).
6. Loosely attach the Driver Body to the gearhead output shaft.
7. Bolt the Gearhead Assembly to the Cover Weldment.
8. Drill holes and fasten the Cover Weldment to the bin opening with the 5/16" x 1-1/2" bolts and locknuts supplied.
9. Install the auger as specified in the fill system installation manual.
10. Set the Lid Assembly on the Cover Weldment and secure using the over center clamps.

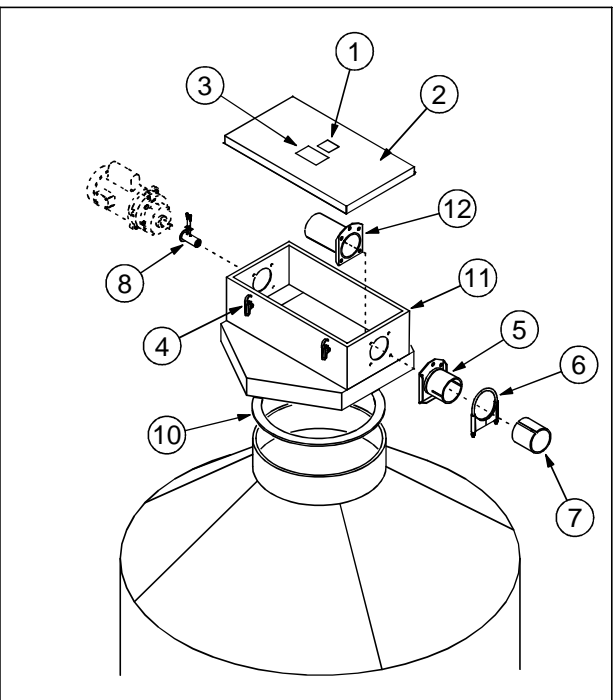


## Assembly Parts List

### Twin Bin Fill Kit



### Single Bin Fill Kit



MA1038-3 6/99

Item	Description	Part No.
1	Danger Electrical Decal	2527-25
2	Lid Ass'y	7689
3	Danger Moving Auger Decal	2527-9
4	Over Center Clamp	2536
5	Tube Anchor Weldment (Mod. 108)	34543
	Tube Anchor Weldment (Mod. 90)	5069
	Tube Anchor Weldment (Mod. 75)	6518
6	Tube Clamp (Mod. 108)	14373
	Tube Clamp (Mod. 90)	6721-1
	Tube Clamp (Mod. 75)	6515-1
7	Tube Insert (Mod. 108 steel systems)	34337
	Tube Insert (Mod. 75 steel systems)	6524
8	Driver Assembly (Mod. 108)	30313
	Driver Assembly (Mod. 90)	6861
	Driver Assembly (Mod. 75)	6862
9	Twin Cover Weldment (Mod. 108)	24361
	Twin Cover Weldment (Mod. 90)	27135
10	Sponge Tubing	5928
11	Single Cover Weldment (Mod. 108)	9489
	Single Cover Weldment (Mod. 90 & 75)	7690
12*	Tube Anchor Weldment (Mod. 108)	34636

Complete Fill Cap Kit Part No.s:	
Single Model 108	34635
Twin Model 108	35008
Single Model 90	25806
Twin Model 90	27133
Single Model 75	6563

\*This Tube Anchor Weldment is required only on Model 108 Single Bin Fill Cap Kit installations.