



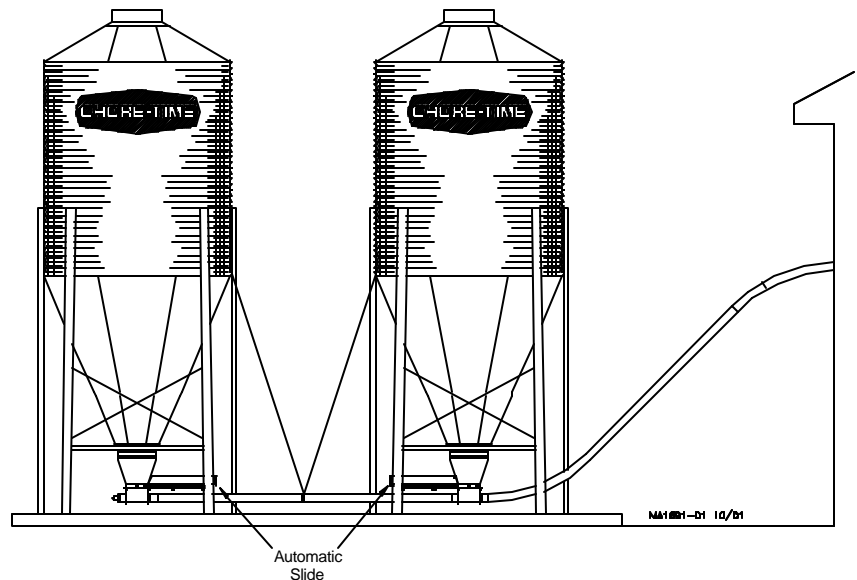
Single and Twin Auto Bin Slide

Single Auto Bin Slide Part Number 46658
Twin Auto Bin Slide Part Number 46659
Powered Slide Control 46888

Introduction

The Auto Bin Slide Assemblies are intended for use with Single or Twin Straight-Through Tandem Systems, replacing the existing manual slide assemblies. Plan the layout of the actuators with respect to the bins & auger lines. The Actuators are intended for setup as shown in **Figure 1**

Figure 1

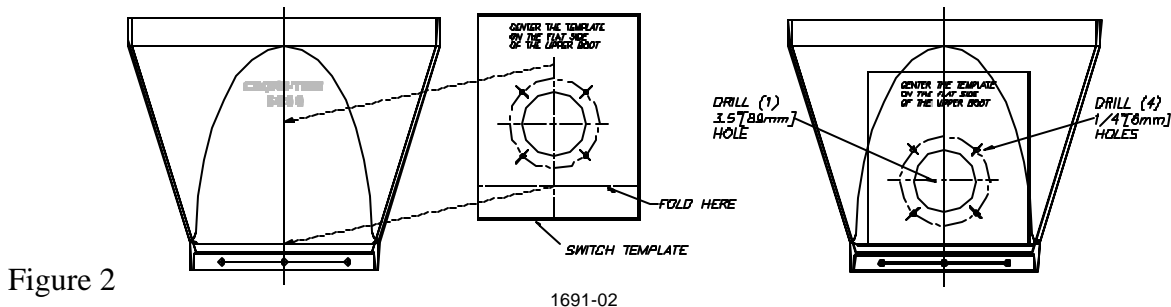


The unit is factory adjusted for actuator travel. Do not disassemble the clevis bolts from the ends for actuator and turn the actuator tube. This will render the unit out of adjustment causing possible stalling or jamming of the actuator. In the event the actuator is ever disassembled from the slide or frame, the required adjustment specifications are listed on page 10.

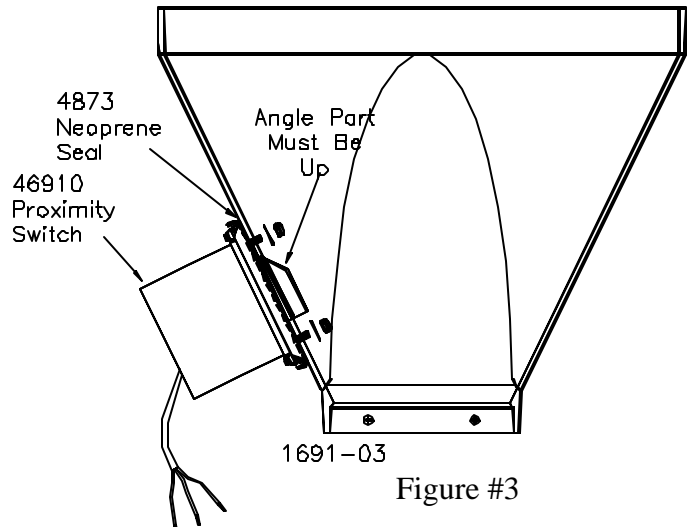
Installation

IMPORTANT: The hopper bin(s) must be empty.

1. Unbolt and drop down the lower boot assembly from the transfer plate. Make sure to properly support the lower boot assembly.
2. Operate (completely close) the existing Slide or Slides in the Transfer Plate to assure the slide tracks are clear of debris. Unbolt and remove Slide Shield and Slide Assembly.
3. Using the provided template (page 4), mark and drill the holes in the upper boot for the bin level switch or switches. See **Figure 2**.

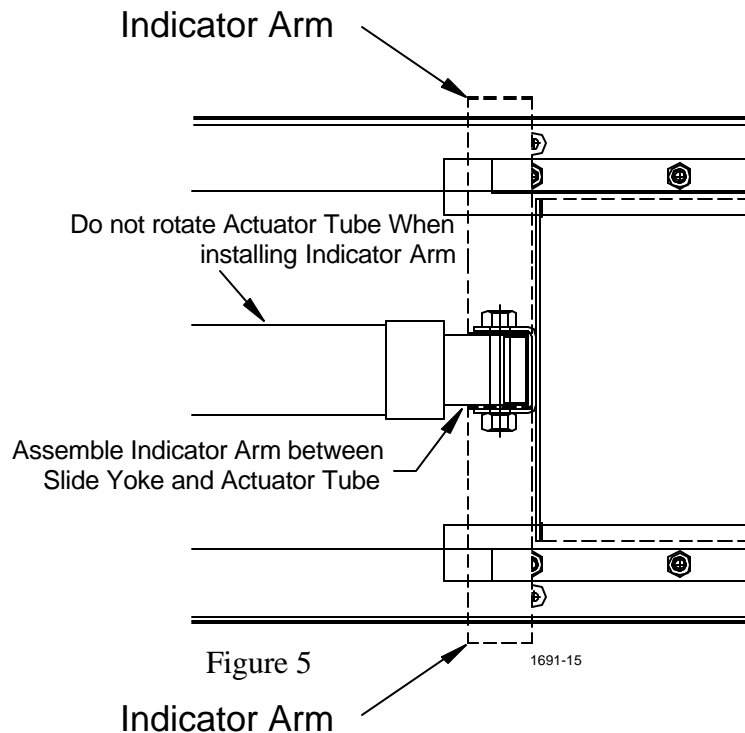


4. **Proximity Switch installation.**
 assemble the 4873 Neoprene Seal onto the Switch Unit and insert the (4) switch studs through the holes that were just drilled in Section #3 and assemble the (4) washers and (4) #10 hex nuts on the inside of the Upper Boot. Note: the angle part of the red switch must be on top when mounting in the Upper Boot See **Figure 3**.
 Tighten the hex nuts securely.



5. Wire the control box according to the wiring diagram. See Page 8.
6. Single and Twin Slide Units are equipped with an Indicator Arm to allow visual aid to know if slide is open or closed. **ON SINGLE SLIDE UNITS** - Check to make sure the Indicator Arm is on the proper side to be visible in your application. Indicator Arm can be reversed to be visible on the opposite side if desired. See **Figure 5**

Single Slide



7. Align the auto bin slide assemblies mounting rails over the transfer plate making sure the slide or slides are properly engaged in the track or tracks. See **Figure 4**

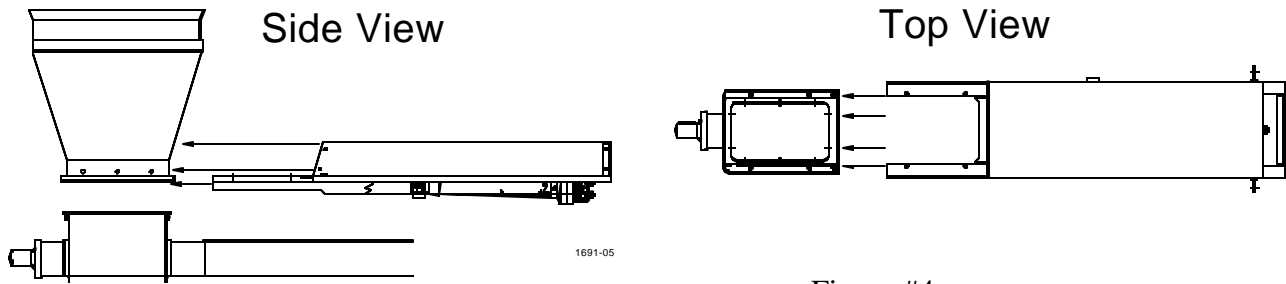


Figure #4

8. Replace the lower boot hardware through the auto bin slide assemblies mounting rails, transfer plate and lower boot.
9. Suspend or support the outer motor end of the auto bin slide assembly using chain and “S” hooks through eyebolts provided.
10. Wire motor or motors per diagram and operate units once to be sure limit switches in gearmotor are reached when unit stops in open and closed positions. A red indicator light on the control should light when slide is fully closed or fully open.
11. Caulk between cover and transfer plate. See **Figure 6**.

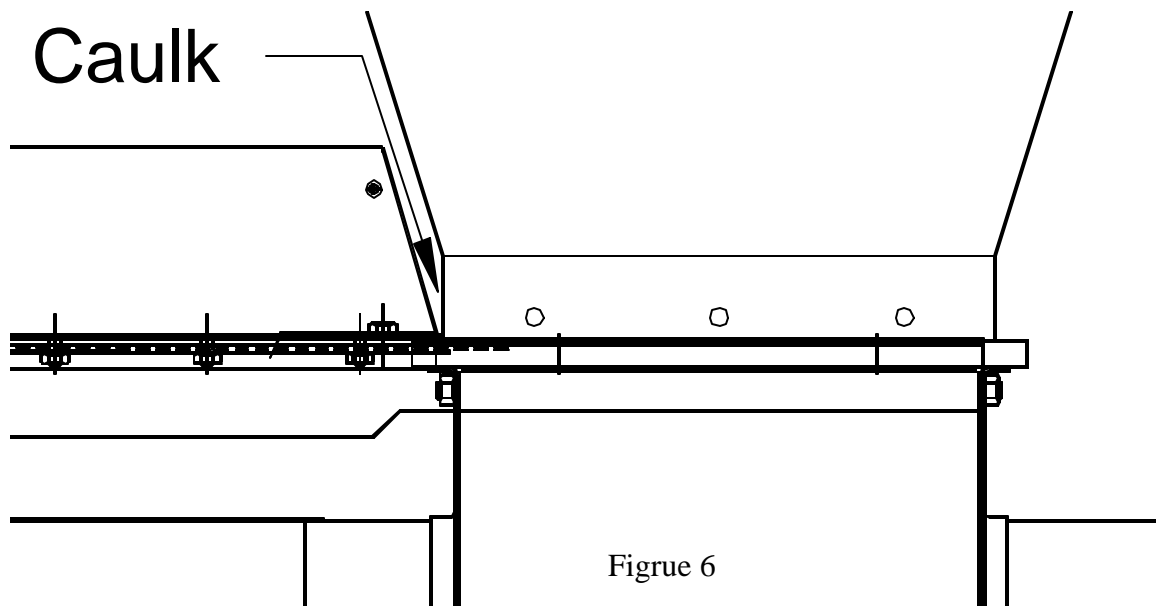
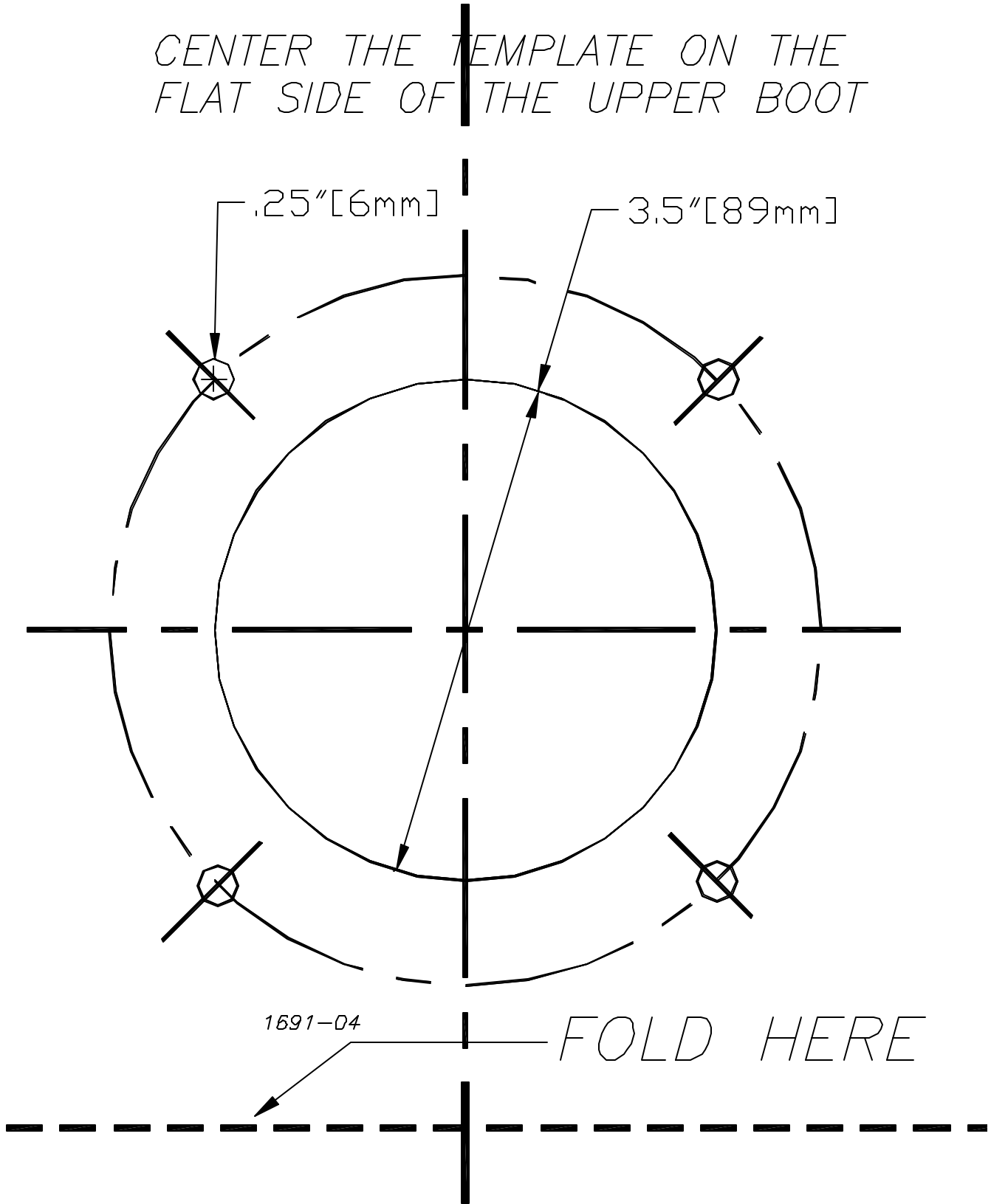


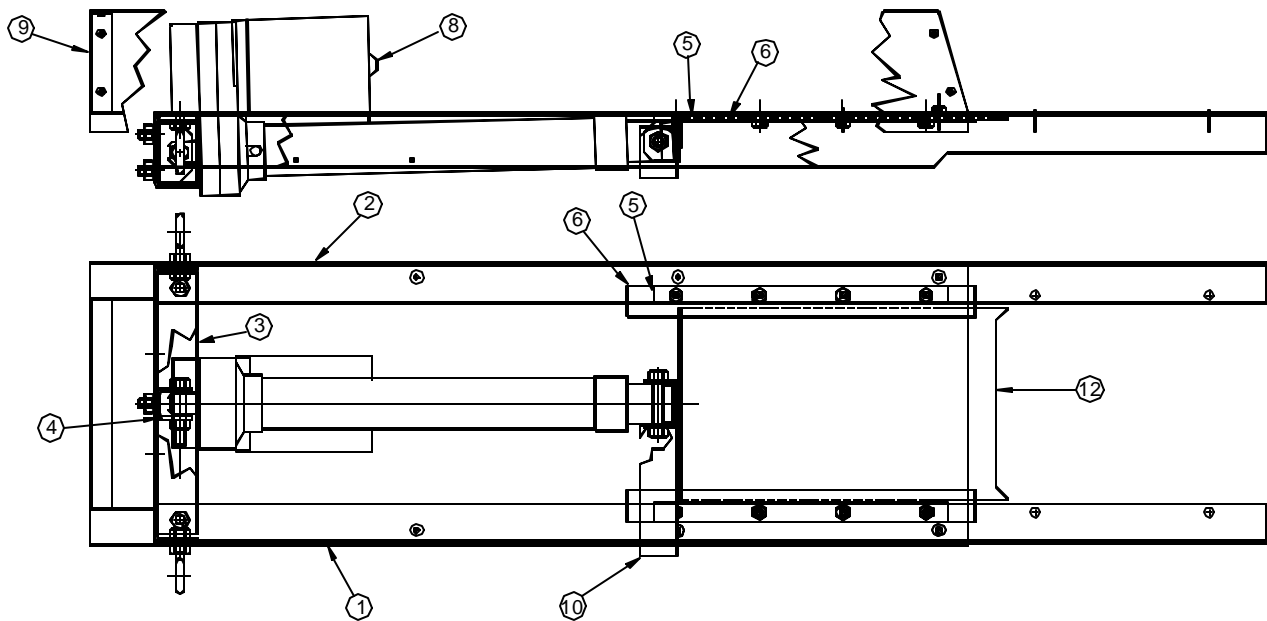
Figure 6

Switch Mounting Template

*CENTER THE TEMPLATE ON THE
FLAT SIDE OF THE UPPER BOOT*



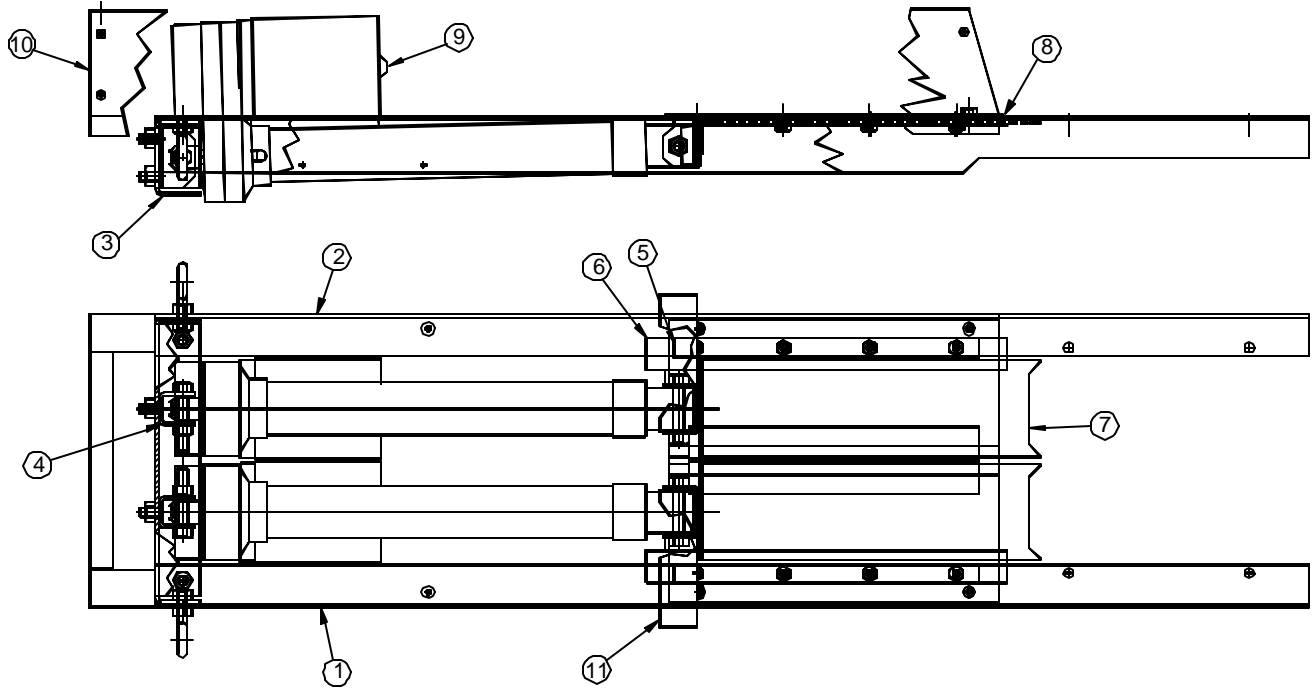
46658 Single Auto Slide Assembly



Item	Part No.	Description
1	46641	Left Side Angle
2	46642	Right Side Angle
3	46643	Actuator Mount
4	46654	Clevis Yoke
5	46648	Spacer Rail

Item	Part No.	Description
6	46649	Auto Slide Rail
7	46651	Auto Slide Weldment
8	46661	Linear Actuator
9	46714	Cover Assembly
10	46742	Indicator Arm

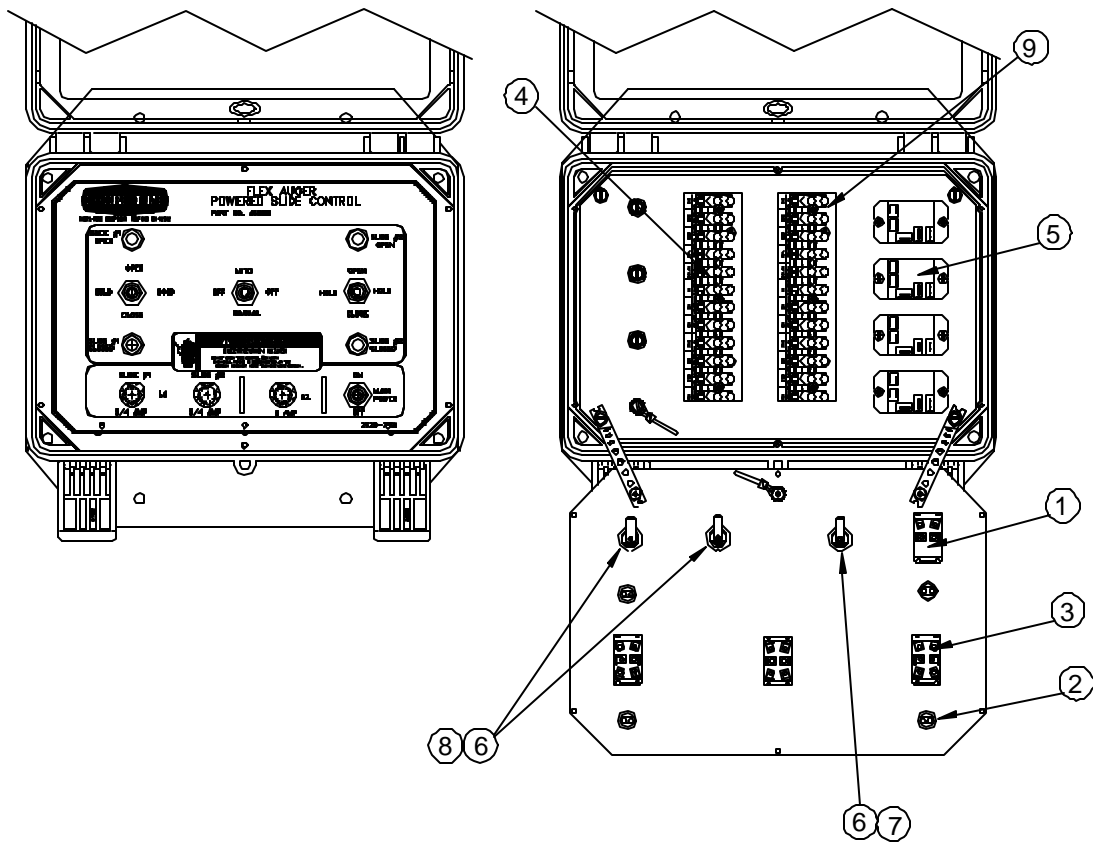
46659 Twin Auto Slide Assembly



Item	Part No.	Description
1	46641	Left Side Angle
2	46642	Right Side Angle
3	46643	Actuator Mount
4	46654	Clevis Yoke
5	46648	Spacer Rail

Item	Part No.	Description
6	46649	Auto Slide Rail
7	46652	Twin Auto Slide Weldment
8	46650	Twin Slide Rail Weldment
9	46661	Linear Actuator
10	46714	Cover Assembly
11	46742	Indicator Arm

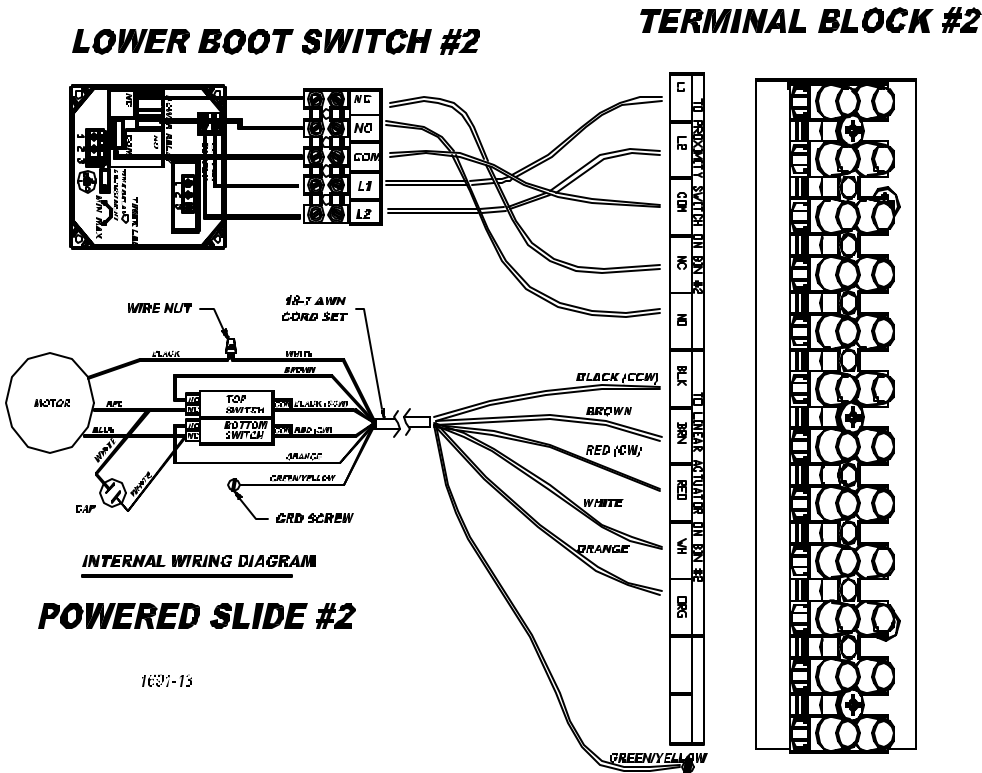
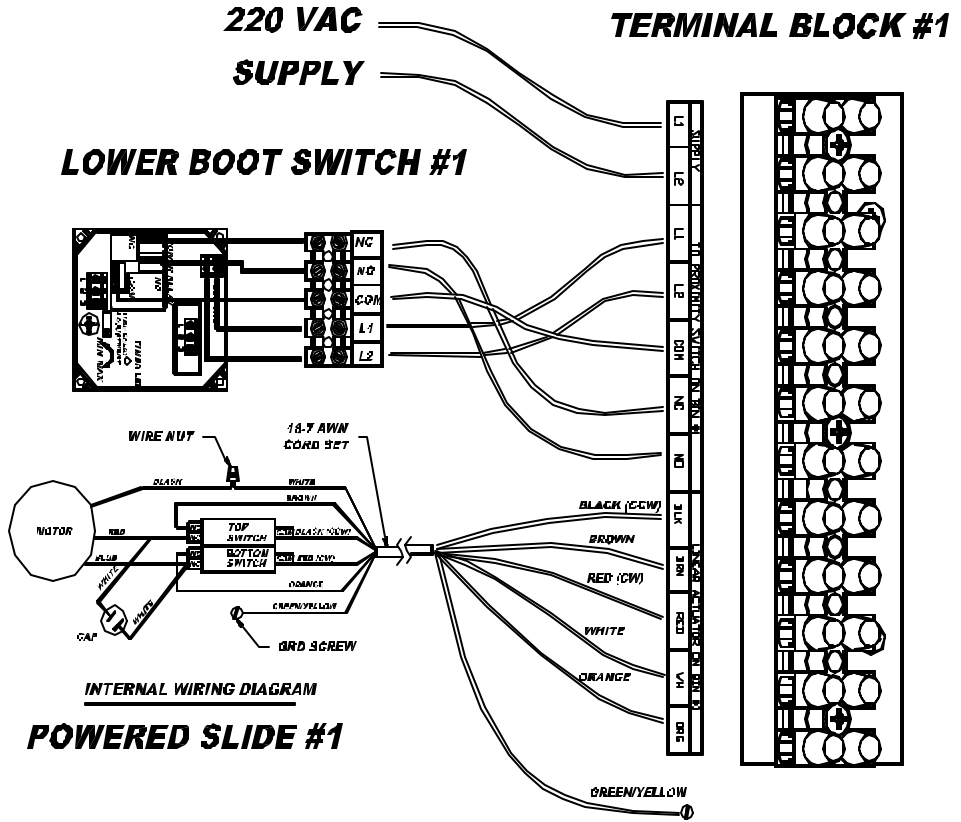
46888 Power Slide Control



Item	Part No.	Description
1	3046	Switch, DPST
2	2058	Pilot Light
3	20135	Switch, DPDT
4	34925	Terminal Block
5	34702	Relay

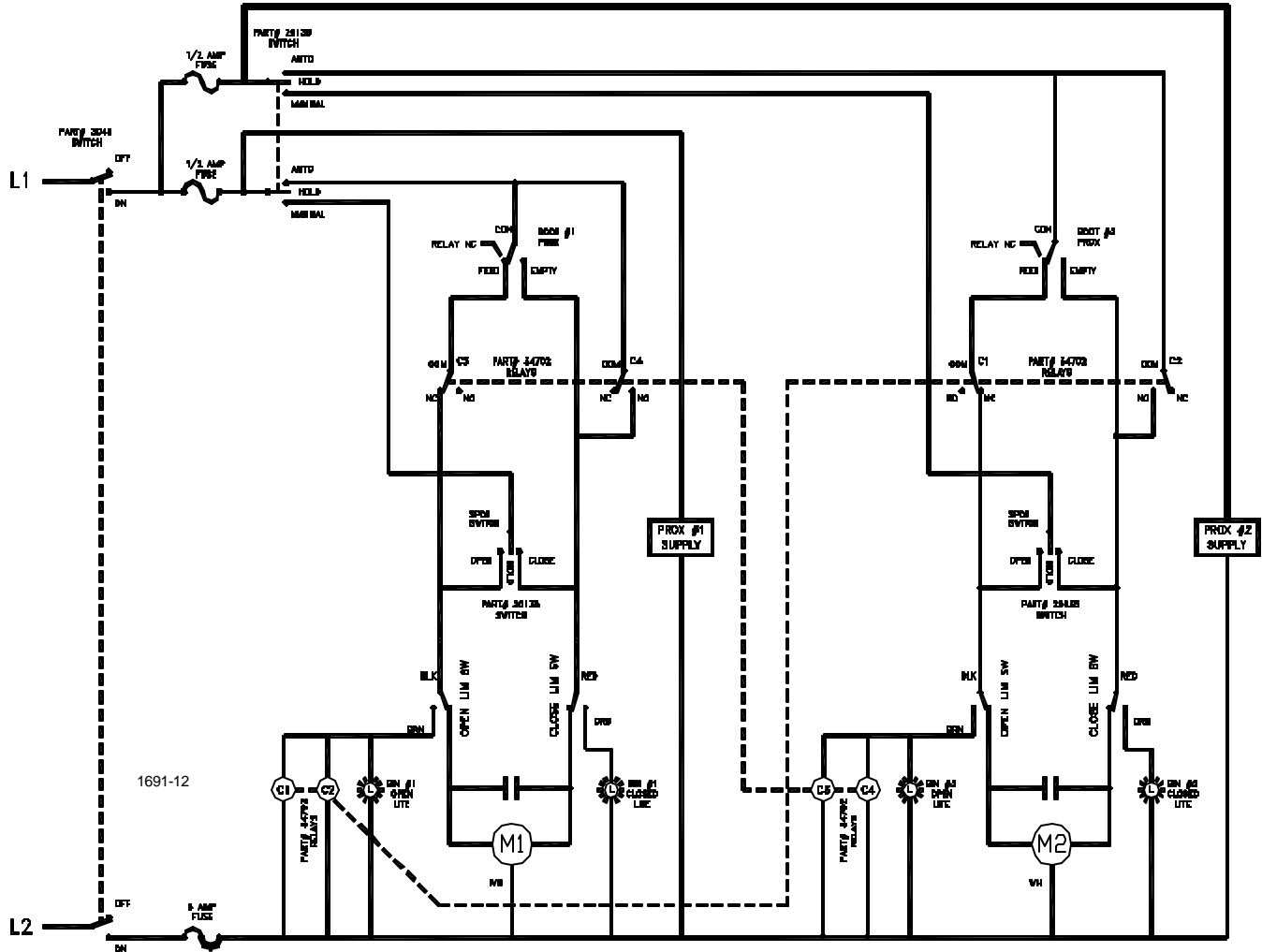
Item	Part No.	Description
6	24431	Fuse Panel Mount Holder
7	20472	Fuse, 3 amp
8	46950	Fuse, 3/4 amp
9	34563	Terminal Block Bracket

Wiring Diagram

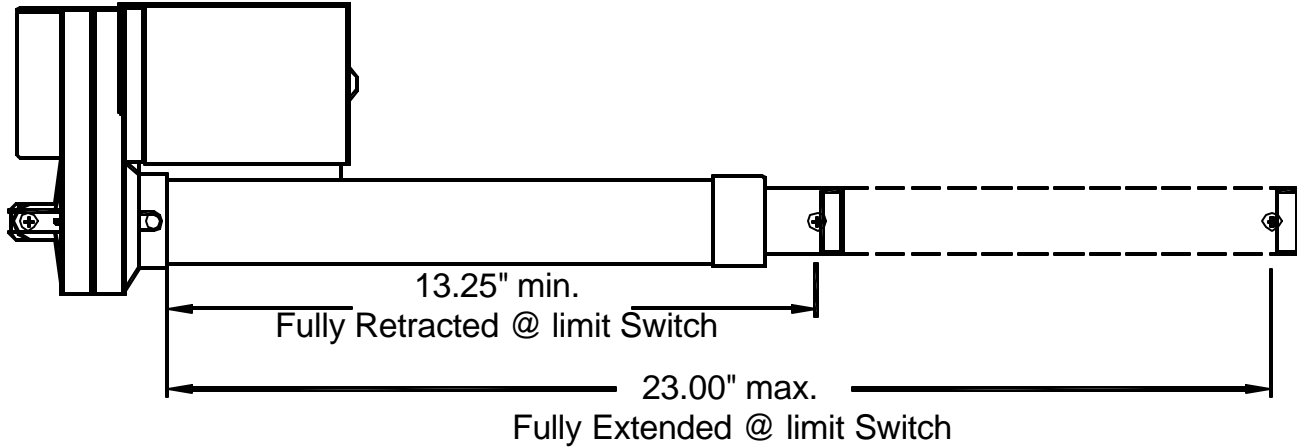


1691-13

Auto Slide Logic Diagram



Required Adjustment Specifications



1691-14

Adjusting Actuator requires unit to be wired to the following connections:

WIRING CONNECTIONS					
RETRACT TUBE	WHITE.....	Connect to L2 of 230v supply	EXTEND TUBE	WHITE.....	Connect to L2 of 230v supply
	BROWN..	Insulate		BROWN..	Insulate
	BLACK.....	Connect to L1 of 230v supply		BLACK.....	Insulate
	RED.....	Insulate		RED.....	Connect to L1 of 230v supply
	ORANGE..	Insulate		ORANGE..	Insulate
GREEN.....	Connect to ground	GREEN.....	Connect to ground		

Note: Actuator tube must be restrained from rotating while unit is being extended or retracted.

Caution: Actuator may bottom out in retract mode and apply extreme torque to actuator tube.

ADJUSTMENT PROCEDURE: To change the extended length, fully retract the the actuator tube, REMOVE POWER, remove dust cap and hold the inner acme screw from turning while adjusting the actuator tube **CW** to shorten and **CCW** to lengthen. One full turn = .33 inch change in length. CONNECT POWER and fully extend to check. To change the retracted length, fully retract the actuator tube, REMOVE POWER, then remove rear motor cover. Turn the outer white cam wheel **CW** to extend tube and **CCW** to retract tube. Each click of the cam wheel = .450 inch travel change. CONNECT POWER, extend tube a short ways, and fully retract to check.

Contact your nearby Chore-Time distributor or representative for additional parts and information.

Chore-Time Equipment, A Division of CTB, Inc.
P.O. Box 2000, Milford, Indiana 46542-2000 U.S.A.
Phone: 574-658-4101 • E-Mail: ctb@ctbinc.com

Printed in the U.S.A.