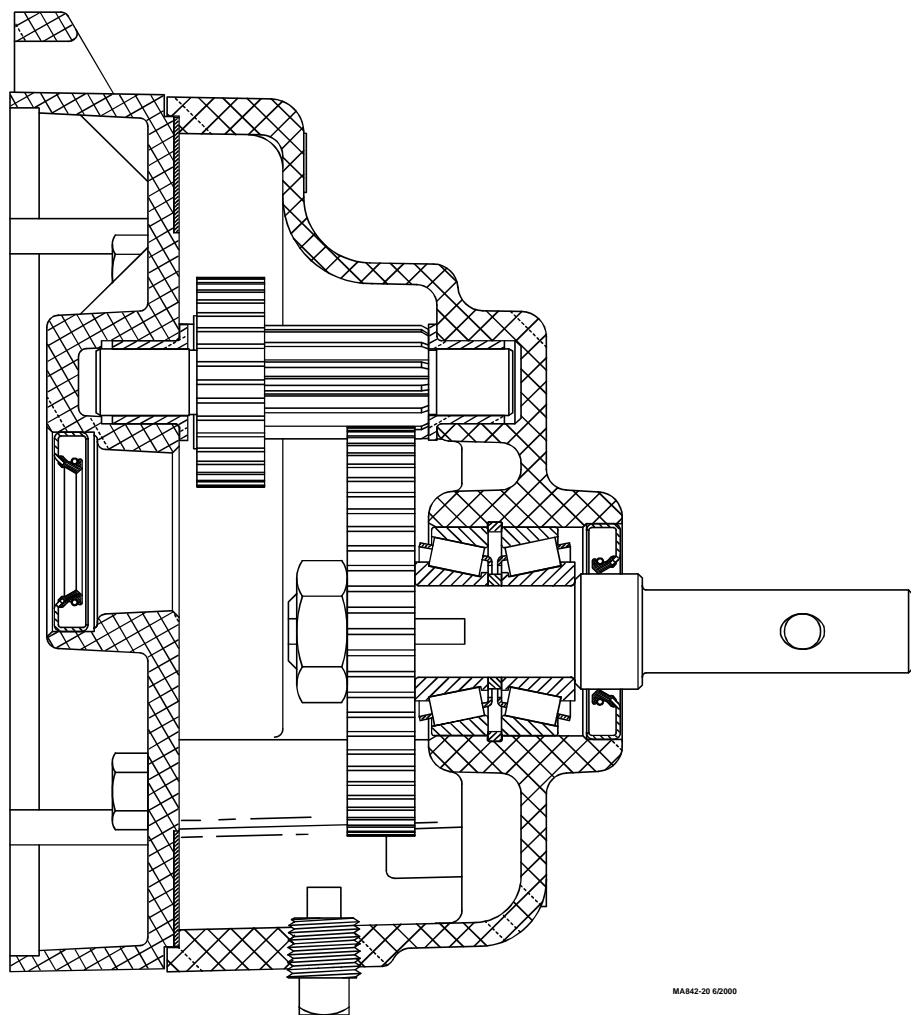


3261 Series Gearheads

Identification, Specifications, Applications, and Repair Parts Lists



MA842-20 6/2000

Chore-Time Warranty

Chore-Time Equipment (“Chore-Time”) warrants each new Chore-Time product manufactured by it to be free from defects in material or workmanship for one year from and after the date of initial installation by or for the original purchaser. If such a defect is found by the Manufacturer to exist within the one-year period, the Manufacturer will, at its option, (a) repair or replace such product free of charge, F.O.B. the factory of manufacture, or (b) refund to the original purchaser the original purchase price, in lieu of such repair or replacement. Labor costs associated with the replacement or repair of the product are not covered by the Manufacturer.

Conditions and Limitations

1. The product must be installed by and operated in accordance with the instructions published by the **Manufacturer or Warranty will be void.**
2. Warranty is void if **all components** of the system are not original equipment supplied by the **Manufacturer.**
3. This product must be purchased from and installed by an authorized distributor or certified representative thereof or the Warranty will be void.
4. Malfunctions or failure resulting from misuse, abuse, negligence, alteration, accident, or lack of proper maintenance shall not be considered defects under the Warranty.
5. This Warranty applies only to systems for the care of poultry and livestock. Other applications in industry or commerce are not covered by this Warranty.

The **Manufacturer** shall not be liable for any **Consequential or Special Damage** which any purchaser may suffer or claim to suffer as a result of any defect in the product. **“Consequential” or “Special Damages” as used herein include, but are not limited to, lost or damaged products or goods, costs of transportation, lost sales, lost orders, lost income, increased overhead, labor and incidental costs and operational inefficiencies.**

THIS WARRANTY CONSTITUTES THE MANUFACTURER’S ENTIRE AND SOLE WARRANTY AND THIS MANUFACTURER EXPRESSLY DISCLAIMS ANY AND ALL OTHER WARRANTIES, INCLUDING, BUT NOT LIMITED TO, EXPRESS AND IMPLIED WARRANTIES AS TO MERCHANTABILITY, FITNESS FOR PARTICULAR PURPOSES SOLD AND DESCRIPTION OR QUALITY OF THE PRODUCT FURNISHED HEREUNDER.

Chore-Time Distributors are not authorized to modify or extend the terms and conditions of this Warranty in any manner or to offer or grant any other warranties for Chore-Time products in addition to those terms expressly stated above. An officer of CTB, Inc. must authorize any exceptions to this Warranty in writing. The Manufacturer reserves the right to change models and specifications at any time without notice or obligation to improve previous models.

Effective: **June 2000**

Chore-Time Equipment
A Division of CTB, Inc.
P.O. Box 2000 • Milford, Indiana 46542-2000 • U.S.A.
Phone (219) 658-4101 • Fax (877) 730-8825
Email: ctb@ctbinc.com • Internet: <http://www.ctbinc.com>

Thank You

The employees of Chore-Time Equipment would like to thank your for your recent Chore-Time purchase. If a problem should arise, your Chore-Time distributor can supply the necessary information to help you.

Introduction

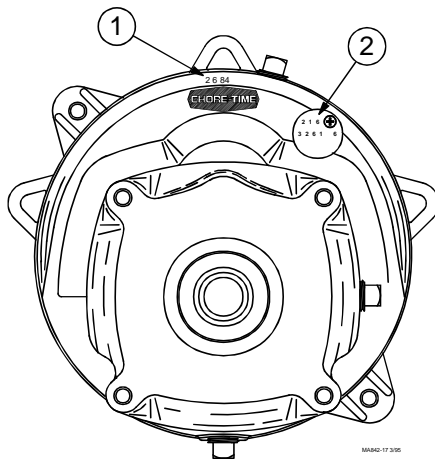
The purpose of this publication is to provide the necessary information and part numbers for field repair of gearheads.

Note: Field repaired gearheads or gears do not have warranty coverage.

Gearhead Identification

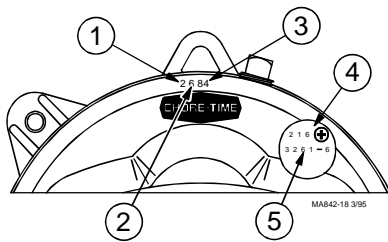
Effective March 1, 1984, Chore-Time began stamping a three part identification code number on the face of 3261 series gearheads. This code number is used to provide information about the specification and capacities of the gearhead. See figure 1 and 2.

Effective July 1, 1988, Chore-Time began fastening a tag to the face of each gearhead (instead of stamping) to provide information about the specifications and capacities of the gearhead. See **Figures 1 and 2**.



Item	Description
1	Gearheads manufactured between March 1, 1984 and July 1, 1988, will have a code stamped here
2	Gearheads manufactured from July 1, 1988 to present will have a code tag here.

Figure 1. Identification Code placement



	Item	Description
From March 1, 1984 to June 30, 1988	1	Indicates RPM (as rated with a 1725 RPM Motor). The first digit of the gearhead's RPM is shown here: 0=62 RPM 1=129 RPM 2=216 RPM 3=348 RPM
	2	Indicates series of 3261 Gearhead. The 3261-0 series all contain a "dash number" following the 3261. This part of the code identifies the "dash number" of the gearhead.
	3	Denotes year of manufacture
From July 1, 1988 to Present	4	Denotes RPM (based on 1725 RPM, 60 Hz Motor)
	5	Denotes Gearhead part number

This manual is designed to provide comprehensive planning, installation, safety, operation, and parts listing information. The Table of Contents provides a convenient overview of the information in this manual. The Table of Contents also specifies which pages contain information for the sales personnel, installer, and consumer (end user).

Gearhead Specifications Chart

The chart below provides gearhead specification information for the various Chore-Time applications (fill systems, feeders, etc.).

Gearhead	Output Shaft Size	Pinion Assembly*	Motor RPM	Motor Hz	Output RPM	Primary Applications
3261-1	5/8	3249	1425	50	180	Model C, C2, H2, G, 2000
3261-1	5/8	3249	1725	60	216	
3261-2	5/8	3249	1725	60	129	CF & MT Cage Feeders
3261-5	5/8	5046	1725	60	348	Model C, C2, H2, G, 2000, Pan Breeder
3261-5	5/8	5046	1425	50	290	Adult Turkey Feeder
3261-5	5/8	5046	2850	50	580	Model 55, 75, 90, HMC, 125, 108
3261-5	5/8	5046	3450	60	696	
3261-6	7/8	3249	1425	50	180	Model 75, 90, HMC, 125, 108, CDS,
3261-6	7/8	3249	1725	60	216	MULTIFLO
3261-7	7/8	6104	1725	60	348	Model 75, 90, HMC, 125, 108, CDS, Fill
3261-7	7/8	5046	1725	60	348	Loops
3261-7	7/8	5046	1425	50	290	International Model 75, 90, HMC, 125, 108
3261-8	7/8	3249	825	60	62	MULTIFLO, Model 75, HMC
3261-8	7/8	3249	1725	60	129	
3261-8	7/8	3249	1425	50	104	International ULTRAPAN
3261-9	7/8	3249	1425	50	52	ULTRAFLO (cage), ULTRAFLO Fill Loop.
3261-9	7/8	3249	1725	60	62	ULTRAFLO Breeder Feeder
3261-10	7/8	5046	1725	60	425	Model 108, 125, HMC, 75, 90
3261-10	7/8	5046	1425	50	348	
3261-10	7/8	6104	1725	60	425	
3261-10	7/8	6104	1425	50	348	
3261-11	5/8	5046	2850	50	708	Pan Breeder Feeder, Model C, C2, H2, G,
3261-11	5/8	5046	1425	50	348	2000, Flag Fill Systems 55, Adult Turkey Feeder
3261-12	7/8	25836	1725	60	78	ULTRAFLO (cage), ULTRAFLO Fill Loop,
3261-12	7/8	25836	1425	50	62	MULTIFLO, ULTRAPAN, ULTRAFLO Breeder Feeder
3261-13	7/8	5046	1725	60	584	Model 90 (special application ULTRAPAN &
3261-13	7/8	6104	1425	50	474	ULTRAFLO Breeder Feeder)
3261-13	7/8	6104	1725	60	584	
3261-13	7/8	5046	1425	50	474	
3261-14	7/8	25836	1425	50	78	ULTRAFLO (cage) & ULTRAPAN
3261-14	7/8	25836	1725	60	95	
3261-15	11/16	3249	1725	60	62	Collectors and Cross Conveyors
3261-17	5/8	5046	1725	60	696	Pan Breeder Feeder

*See Figure 3 on page 5.

Rebuilding Gearheads

The 3261 series of gearheads can be successfully rebuilt to give additional years of service if the following recommendations are observed.

Disassembly: All gears should be removed from the gearhead to allow the gears and bearings to be inspected for wear and/or damage. Any gear or bearing that shows wear or damage should be replaced.

Cleaning: Before reassembling the gearhead, all parts should be thoroughly cleaned in a solvent. Particular attention should be given to the housing, bearings, and gears to insure that all metal deposits are removed.

Reassembly: Replace all gaskets and Oil Seals.

Tighten the Output Shaft Nut to 60-70 ft/lbs [81.4-94.9 Nm] torque.

Check the pinion on the motor shaft to be sure it is not damaged or worn. Tighten the setscrew.

Tighten the four 5/16-18 hex head bolts to 140-145 in/lbs [15.8-16.4 Nm] torque in an "x" fashion. See **Figure 3**.

Lubrication: Use ISO150 gear oil or S.A.E. 40W oil. Detergent oil is preferred if it contains non-foaming agents. Most automotive detergent oils contain non-foaming agents.

All the gearheads require 9 ounces [266 ml] of oil (except 3261-9, 3261-12, and 3261-14 which require 13.5 ounces [400 ml] of oil).

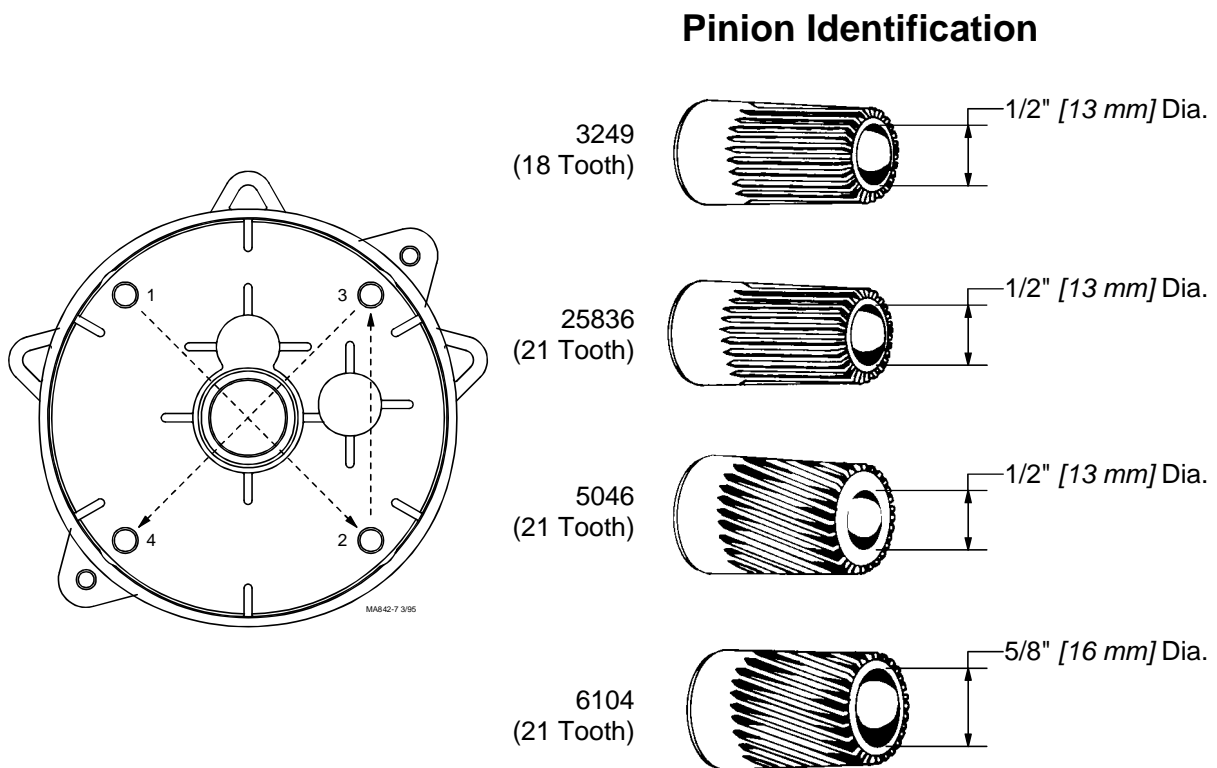
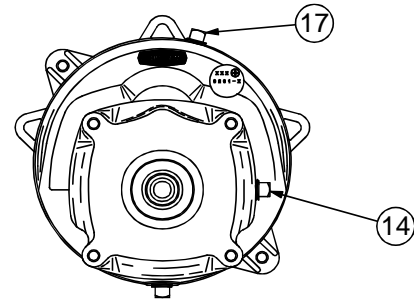
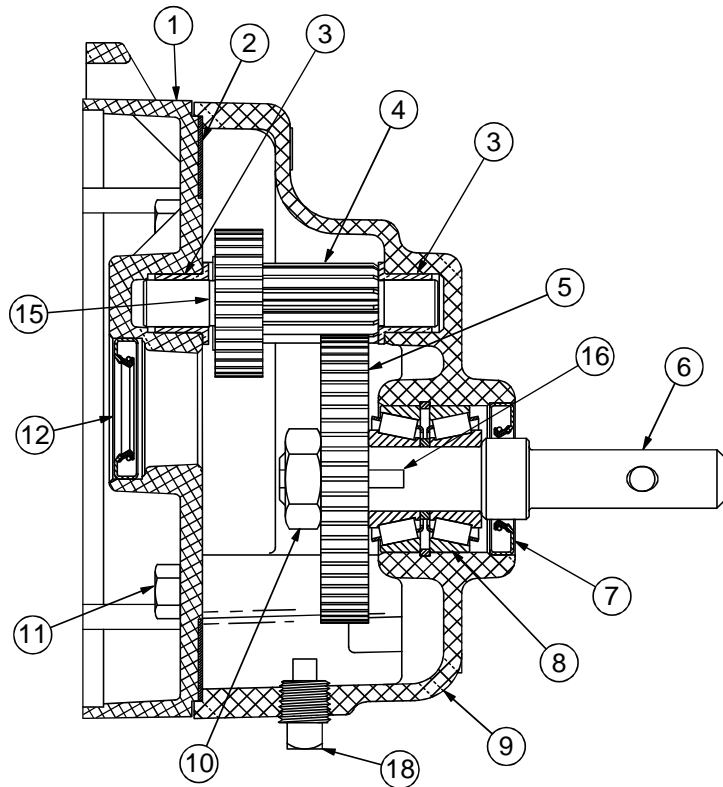
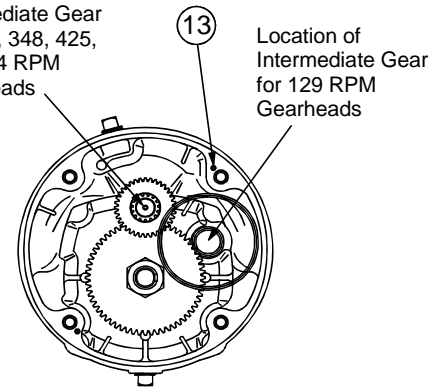


Figure 3. Bolt tightening sequence and Pinion Identification

Two-Stage Gearhead Parts Listing



Location of Intermediate Gear for 216, 348, 425, and 584 RPM Gearheads



MA842-22 6/2000

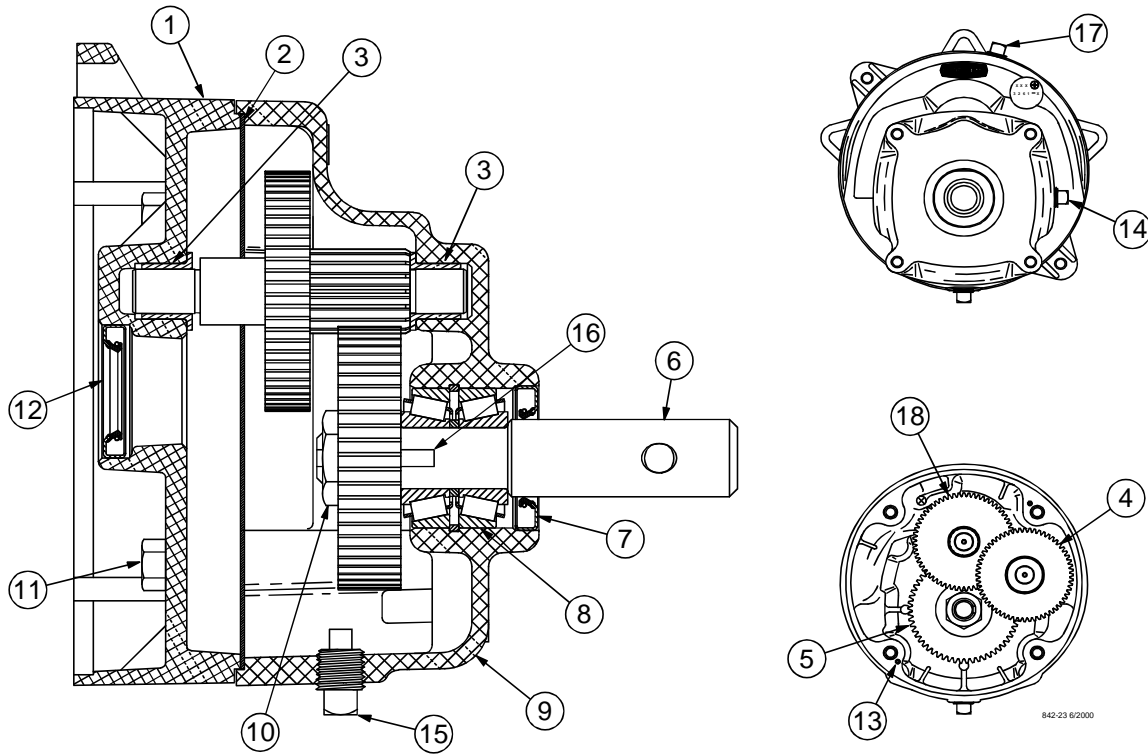
Item	Description (Output RPM)*	Part Number									
		3261-1 216	3261-2 129	3261-5 348	3261-6 216	3261-7 348	3261-8 129	3261-10 425	3261-11 425	3261-13 584	3261-17 696
1	Adapter (Mach)	3174	3174	3174	3174	3174	3174	3174	3174	3174	3174
2	Gasket	3258	3258	3258	3258	3258	3258	3258	3258	3258	3258
3	Flange Bearing	3252	3252	3252	3252	3252	3252	3252	3252	3252	3252
4	Intermediate Gear Assembly	24243	24244	24248	24243	24248	24244	24752	24752	28026	40926
5	Output Gear	24198	24198	24197	24198	24197	24198	24751	24751	28027	40925
6	Output Shaft	5187	5187	5187	6847	6847	6847	6847	5187	6847	5187
7	Oil Seal	5189	5189	5189	5189	5189	5189	5189	5189	5189	5189
**8	Two Row Spacer Bearing	5188	5188	5188	5188	5188	5188	5188	5188	5188	5188
9	Housing (Mach)	29886	29886	29886	29886	29886	29886	29886	29886	29886	29886
10	5/8-11 Hex Jamb Nut	5183	5183	5183	5183	5183	5183	5183	5183	5183	5183
11	5/16-18x5/8 Hex Head Bolt	4412-1	4412-1	4412-1	4412-1	4412-1	4412-1	4412-1	4412-1	4412-1	4412-1
12	Oil Seal	4682	4682	4438	4682	4438	4682	4438	4438	4438	4438
13	1/8x7/16 Spirol Pin	2960-2	2960-2	2960-2	2960-2	2960-2	2960-2	2960-2	2960-2	2960-2	2960-2
14	1/4 NPT Square Head Plug	2755	2755	2755	2755	2755	2755	2755	2755	2755	2755
***15	Thrust Washer			2955-33		2955-33		2955-33	2955-33	2955-33	2955-33
16	3/16x7/16	2112-3	2112-3	2112-3	2112-3	2112-3	2112-3	2112-3	2112-3	2112-3	2112-3
17	Vent Plug	3523	3523	3523	3523	3523	3523	3523	3523	3523	3523
18	Drain Plug	30160	30160	30160	30160	30160	30160	30160	30160	30160	30160

*Output speeds are based on 60 Hz. 1725 RPM Motor.

**5186 is a 6-piece precision ground, matched set. Components should not be mixed (old and new).

***All helical gear units (-5, -7) should be updated to include a 2933-33 Thrust Washer.

Three-Stage Gearhead Parts Listing



Item	Description (Output RPM)*	Part Number			
		3261-9 62	3261-12 78	3261-14 95	3261-15 62
1	Adapter (Mach)	14492	14492	14492	14492
2	Gasket	3258	3258	3258	3258
3	Flange Bearing	3252	3252	3252	3252
4	Intermediate Gear Assembly	24241	25834	25834	24241
5	Output Gear	24197	24197	28720	24197
6	Output Shaft	6847	6847	6847	35954
7	Oil Seal	5189	5189	5189	5189
**8	Two Row Spacer Bearing	5188	5188	5188	5188
9	Housing (Mach)	29886	29886	29886	29886
10	5/8-11 Hex Jamb Nut	5183	5183	5183	5183
11	5/16-18x5/8 Hex Head Bolt	2150	2150	2150	2150
12	Oil Seal	4682	4438	4438	4682
13	1/8x7/16 Spirol Pin	2960-2	2960-2	2960-2	2960-2
14	1/4 NPT Square Head Plug	2755	2755	2755	2755
15	Drain Plug	30160	30160	30160	30160
16	3/16x7/16	2112-3	2112-3	2112-3	2112-3
17	Vent Plug	3523	3523	3523	3523
18	Intermediate Gear Assembly	24242	24242	28722	24242

*Output speeds are based on 60 Hz. 1725 RPM Motor.

**5186 is a 6-piece precision ground, matched set. Components should not be mixed (old and new).



**Made to work.
Built to last.**

Revisions to this Manual

Page No.	Description of Change
	Removed "R" suffix from all part numbers
	Added -15 and -17 Gearheads

Contact your nearby Chore-Time distributor or representative for additional parts and information.

CTB Inc.
P.O. Box 2000 • Milford, Indiana 46542-2000 • U.S.A.
Phone (219) 658-4101 • Fax (877) 730-8825
E-Mail: ctb@ctbinc.com • Internet: <http://www.ctbinc.com>

Printed in the U.S.A.