



# 28335 DROP TUBE SWITCH

## Installation and Operation Instructions

The Drop Tube Switch contains an adjustable delay (15 seconds to 5 minutes) that, after the switch has been actuated, delays starting the feed delivery system until after the delay period.

The Drop Tube Switch may be used on a variety of feed substances, including hi-moisture ground ear corn.

The Drop Tube Switch may be used with the standard Control Unit Funnel. When using with the Model 108 Control Unit Funnel, cut the Drop Tube Switch Body, as shown in Figure 1.

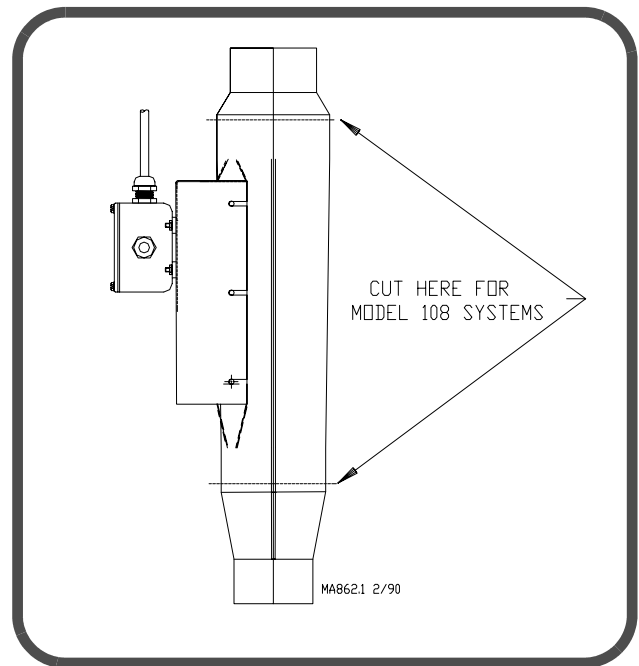


Figure 1.

### INSTALLATION

The Drop Tube Switch is to be installed directly below the Control Unit Funnel. If the feeder is directly below the Funnel, a Drop Tube may be installed between the bottom of the switch and the top of the Stack Tube. If the feeder is not directly below the Funnel, a piece of flexible tube may be used to create an angle not to exceed 30 degrees. See Figure 2.

Use the #8x1/2" Hex Head screw provided to fasten the Switch to the Funnel.

If the Drop Tube is to be angled or is extremely long, extra support will be required.

Using the hardware supplied, mount the white box (with delay) on a secure nearby surface, out of the reach of the livestock.

Refer to the wiring diagram in this instruction sheet for proper field wiring connections. All Electrical wiring should be done by a qualified electrician and must meet local and national electrical codes.

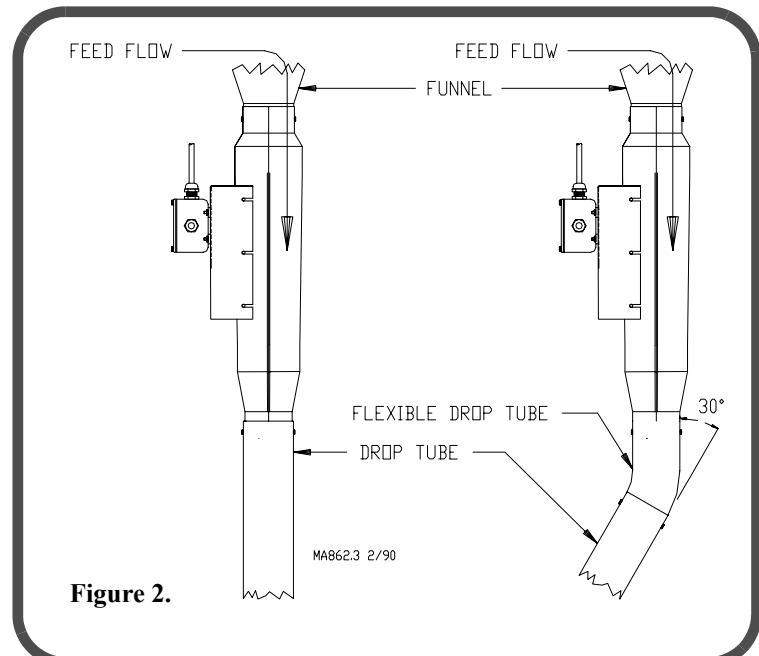
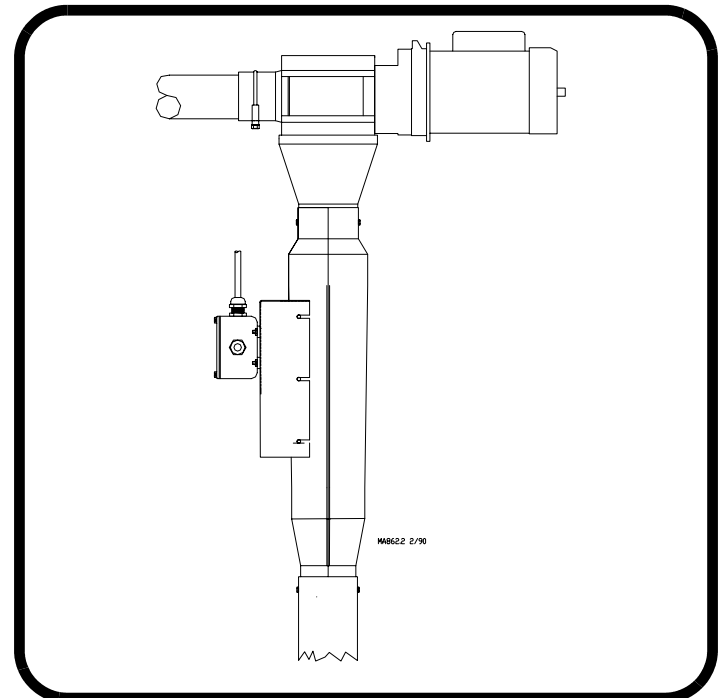


Figure 2.



### CAUTION



**This equipment may start automatically.  
Disconnect electrical power prior to  
servicing the equipment.  
Keep hands and tools clear of auger at all times.**

## Operation of Time Delay

The switch box contains an adjustable time delay to prevent short cycling. The delay can be set from 15 seconds to approximately 5 minutes. When feed falls off the switch, the delay is initiated. The motor will not start until the delay time passes.

NOTE: When power is first turned on to the system, the fill motor will not start until the delay time passes.

The switch box must be opened to adjust the time delay. Turning the screw on the delay fully counterclockwise will give a 15 second delay. Turning the screw on the delay fully clockwise sets the maximum delay of 5 minutes. The screw may be turned anywhere between fully clockwise and counterclockwise to acquire a delay between 15 seconds and 5 minutes.

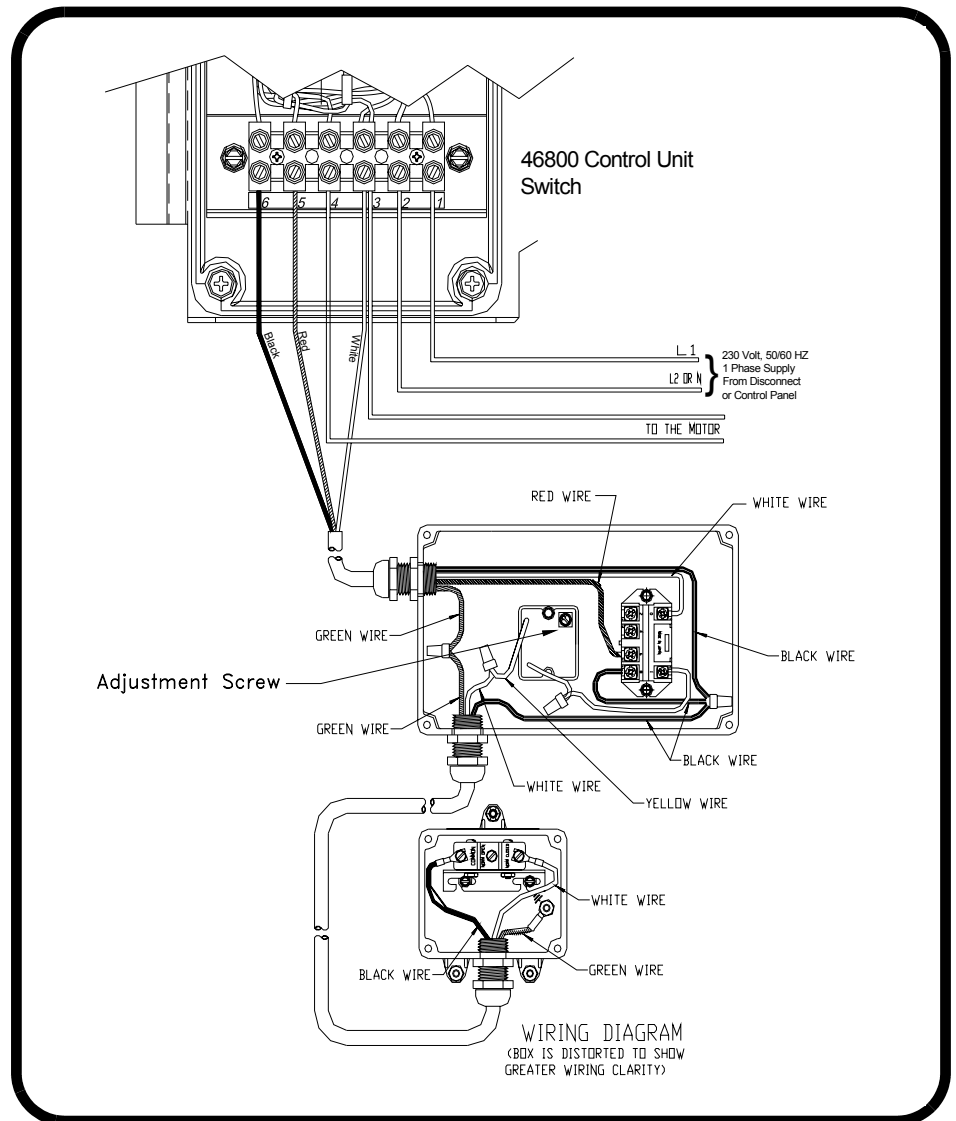


Figure 3.

## Paddle Adjustment

1. Place switch in a vertical position with NO FEED in front of paddle.
  2. Turn external nut **CLOCKWISE** until switch actuates (clicks).
  3. Turn external nut back **COUNTERCLOCKWISE** until switch de-actuates (clicks).
  4. Turn external nut an additional **TWO** full turns **COUNTERCLOCKWISE**.
1. Loosen the two #6 slotted, hex washer head screws holding the switch bracket in place.
  2. Slide the switch and bracket assembly--  
--RIGHT to allow more feed to actuate switch,  
--LEFT to allow less feed to actuate switch. See Figure 4.
  3. Re-tighten the screws (do not over-tighten).
  4. **IMPORTANT:** Re-adjust paddle position whenever switch sensitivity is adjusted.

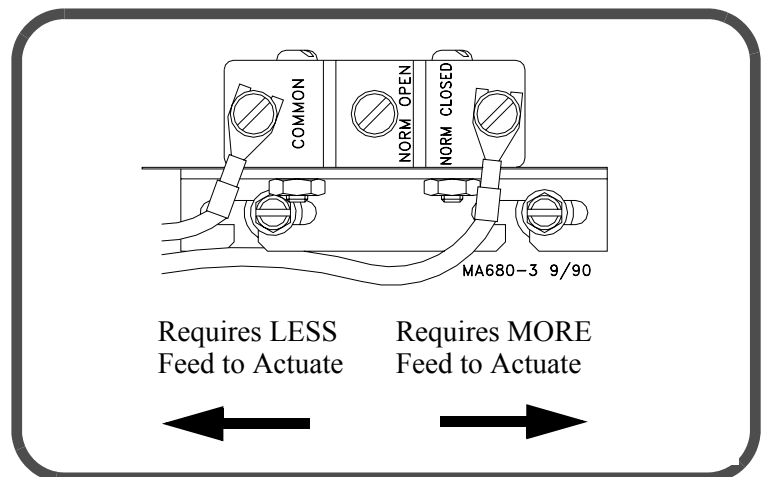
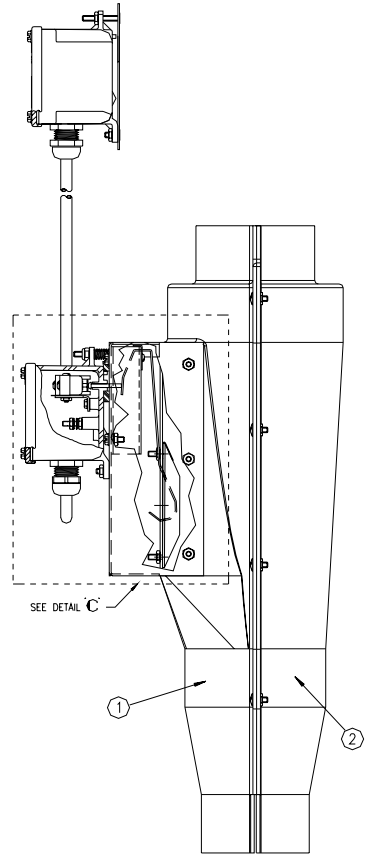
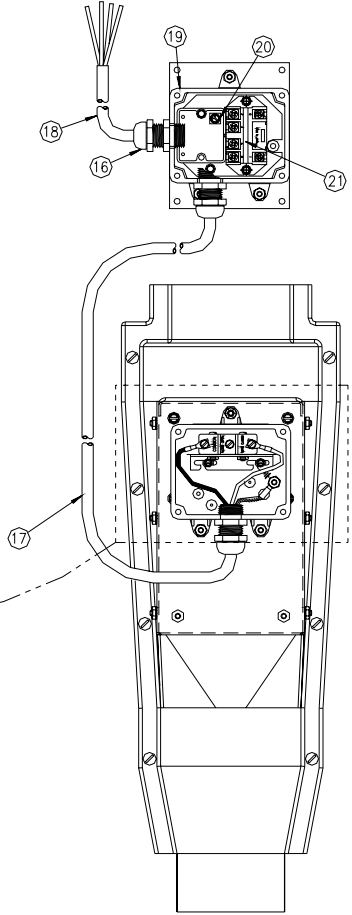
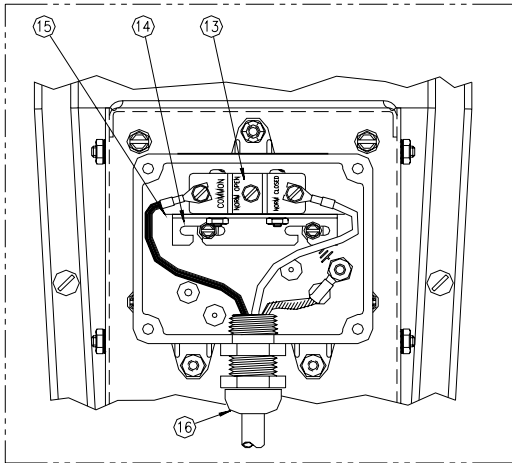
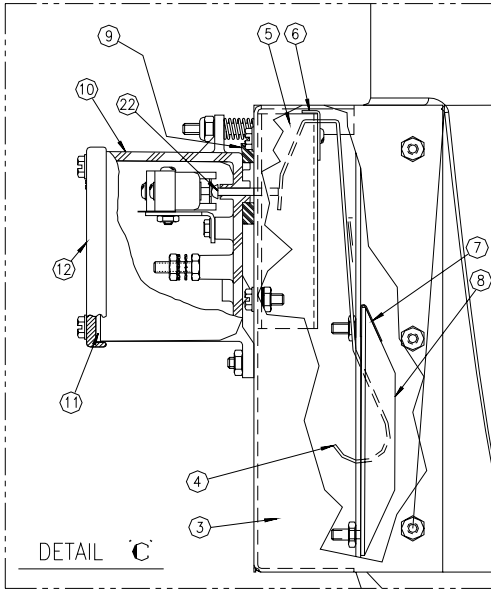


Figure 4.



**Table 1: 28355 Drop Tube Switch**

<b>Ref. #</b>	<b>Part Number</b>	<b>Description</b>	<b>Ref. #</b>	<b>Part Number</b>	<b>Description</b>
1	30335	Droptube Front	12	6767	Switch Box Cover
2	30354	Droptube Back	13	46091	SPDT Actuator Switch
3	34014	Switch & Paddle Housing	14	7068	Switch Bracket
4	34013	Switch Paddle	15	1907-5	Switch Insulation
5	25048	Pivot Bracket	16	23779	Liquid Tight Connector
6	25045	Paddle Retainer	17	4999-85	Cord Assembly
7	28281	Deflector Shield	18	4999-87	Cord Assembly
8	7900	Diaphragm Assembly	19	34012	Switch Box
9	6968-1	Gasket	20	24209	On Delay Timer
10	34842	Box	21	34654	DPST Relay 240v
11	6777	Gasket	22	8757	Rivet 1/8 x 1 RD HD

Contact your nearby Chore-Time distributor or representative for additional parts and information.

Chore-Time Equipment, A Division of CTB, Inc.  
P.O. Box 2000, Milford, Indiana 46542-2000 U.S.A.

Printed in the U.S.A.