



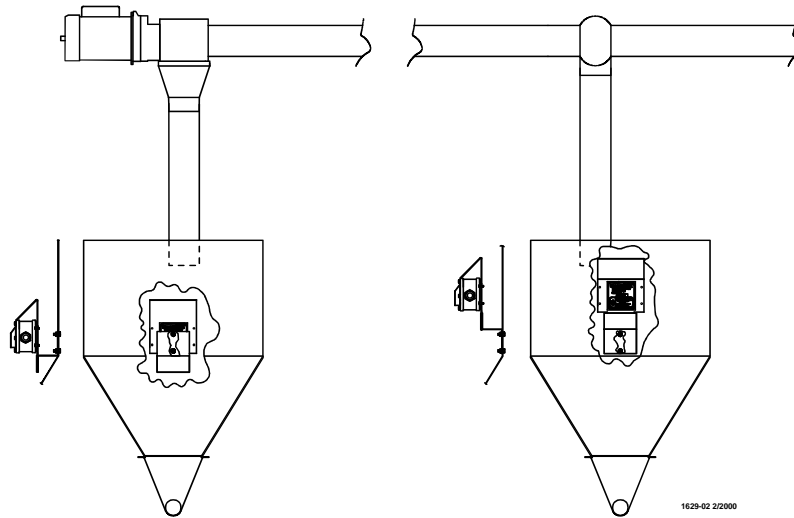
SENSOR PLUS™ Hopper Level Control Part Number 42613

Introduction

The SENSOR PLUS™ Hopper level control is designed for use with any conveying system that carries free flowing feed. The control automatically starts and stops the fill system as the feed level against the sensor changes.

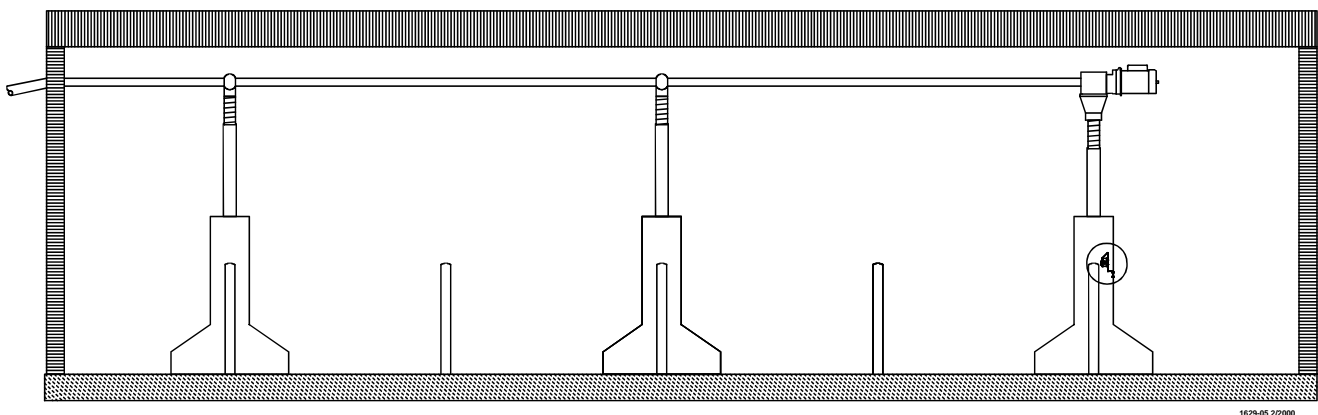
Poultry Application

Note: In poultry applications, switches may be placed in more than one hopper to assure that no hopper empties before the control unit hopper requires feed. All switches must be wired in parallel so any one switch can start the system.



Hog Application

Note: In most hog installations, the control is installed in the last hopper which is located at the end of the delivery system.



Chore-Time Poultry Production Systems, A Division of CTB, Inc.
P.O. Box 2000 • Milford, Indiana 46542-2000 • U.S.A.
Phone (574) 658-4101 • Fax (877) 730-8825

Installation

Install the control in the last hopper which is located at the end of the delivery system. **Mount it low so the feed level will be lower in that hopper than in the others.** The lower feed level will cause the system to start frequently enough to maintain the feed level in every hopper and provide a reservoir for the feed in the fill system if another hopper calls for feed. Position the feed drop tube to deliver feed to the center and near the top of the hopper, in front of the sensor. Position the drop tubes and switches high in the other hoppers so they fill but do not overflow.

Mount the hopper level control vertically, as shown in **Figure 1**. Drill two 9/32" [7.2 mm] holes at the desired location. Use the bracket as a guide to determine the hole spacing. Fasten the bracket in place with the supplied hardware. Install the control in the mounting bracket assembly. The control may be removed for switch adjustment or for house clean-out.

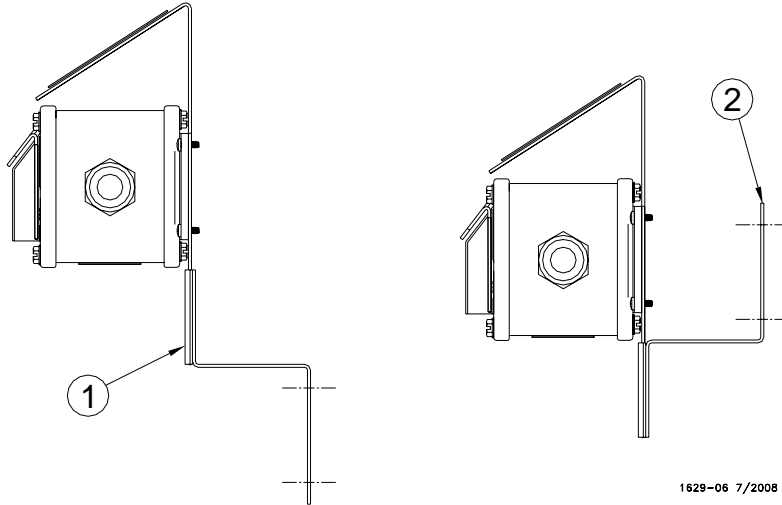


Figure 1. Hopper Level Control Mounted Vertically

Switch Adjustment

The SENSOR PLUS hopper level switch is adjusted at the factory to a delay of 15 seconds. The delay may be changed for a specific installation.

To adjust the time delay:

- For less time: Turn time delay adjustment screw counter-clockwise (light blinks faster)
- For more time: Turn time delay adjustment screw clockwise (light blinks slower)

Time delay adjustable from 3 seconds to 10 minutes.

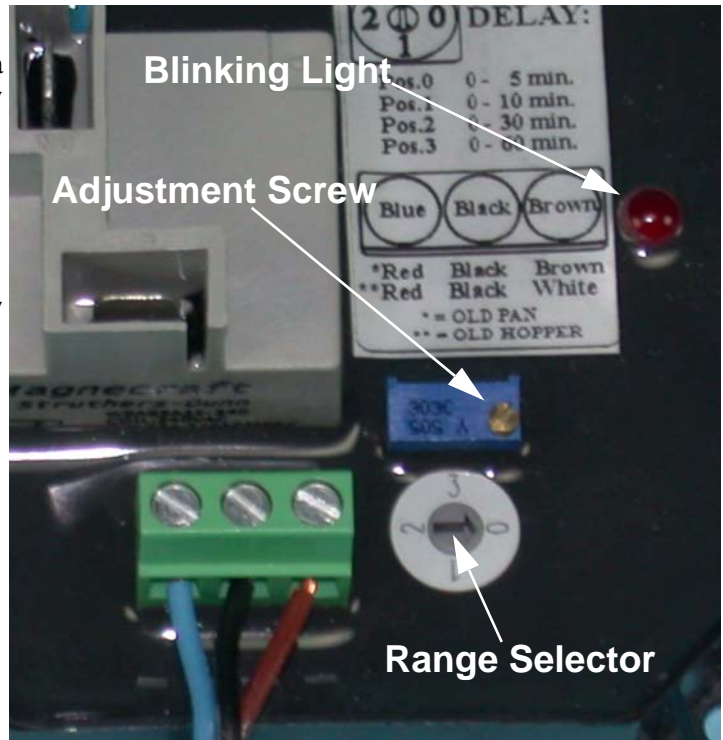


Figure 2. Adjusting the proximity switch

Wiring

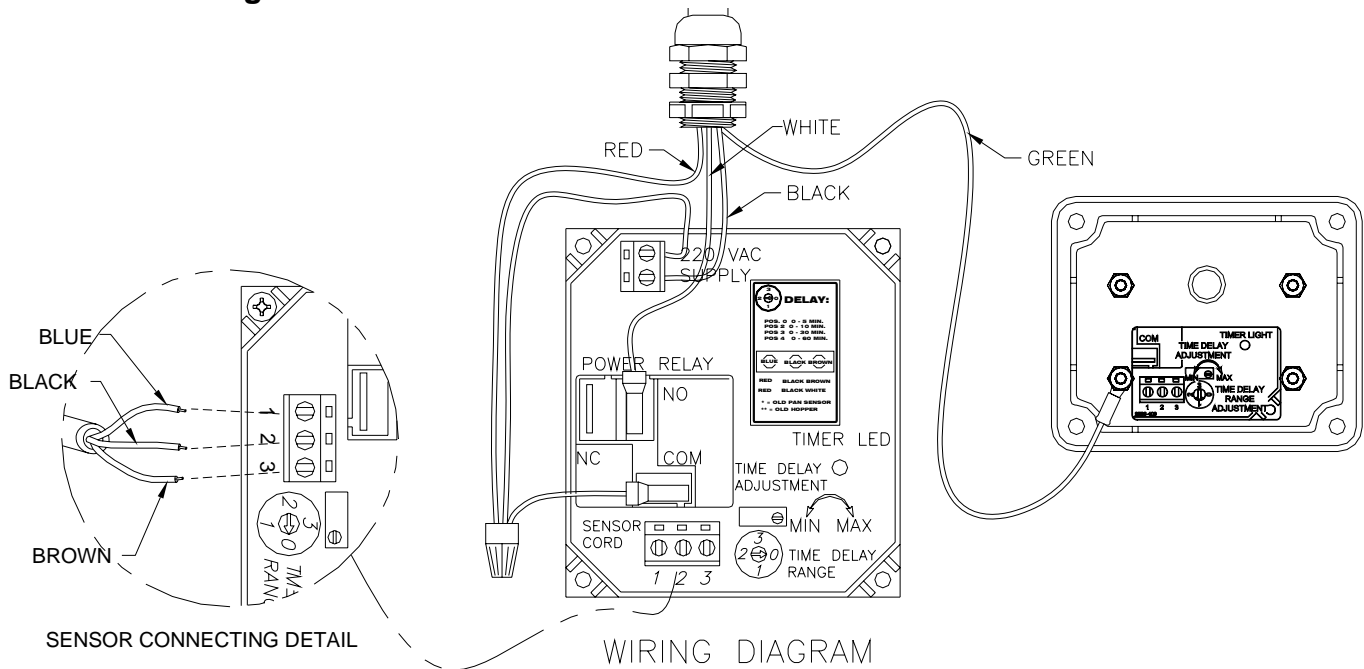


Danger: Electrical Hazard

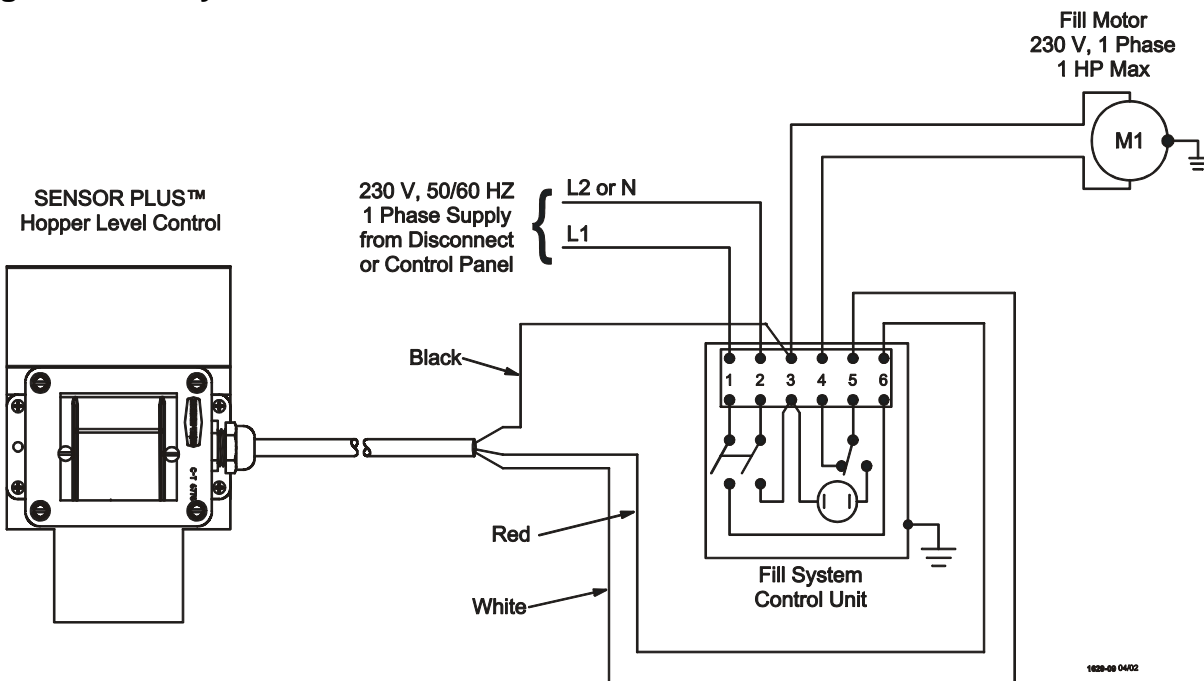
Disconnect all electrical power before inspecting or servicing equipment.
Ground all electrical equipment for safety.

All wiring must be done by a qualified electrician in accordance with local and national codes.

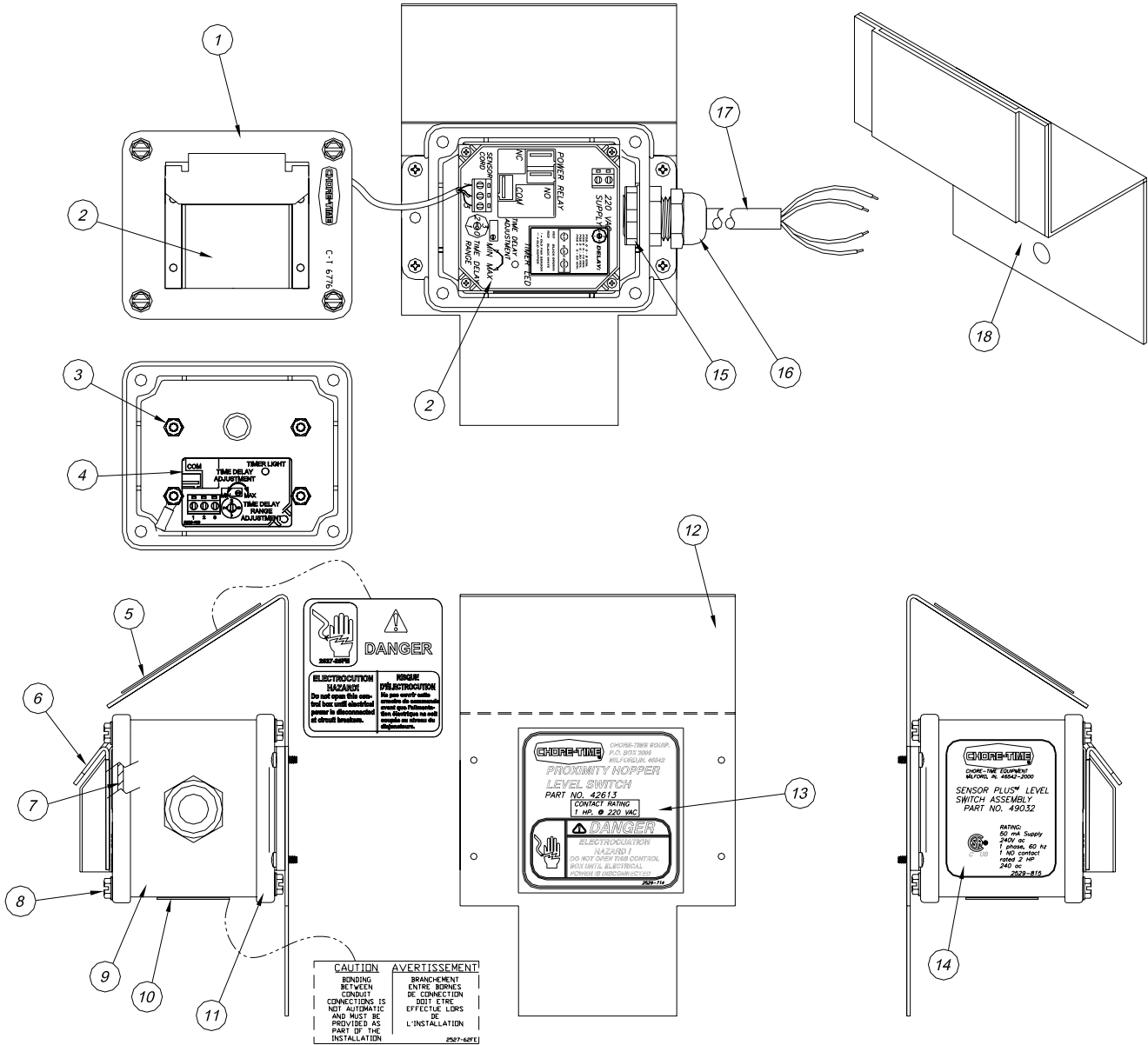
Internal Wiring



Wiring to the Fill System Control Unit



42613 SENSOR PLUS™ Hopper Level Switch Parts List



1629-14 7/2008

Item	Description	Part No.
1	Box Cover	42611
2	Sensor Level Switch	48579
3	#6-32 Hex Nut	771
4	Adjustment Decal	2526-409
5	Danger Decal	2527-25FE
6	Sensor Retainer/Deflector	51055
7	Switch Box Gasket	6777
8	#10 x 1/2" Hex Washer Hd Screw	28075
9	Terminal Box	42627-1

Item	Description	Part No.
10	Caution Decal	2527-62FE
11	Mounting Box Cover	6956
12	Hopper Switch Support Bracket	42612
13	Hopper Level Switch Decal	2529-714
14	Sensor Plus Switch Decal	2529-815
15	Nylon Lock Nut	43662
16	Liquid Tight Connector	24685
17	Cord Assembly	4999-101
18	Switch Mounting Bracket	2911