



SENSOR PLUS™ Drop Tube Switch with Heater

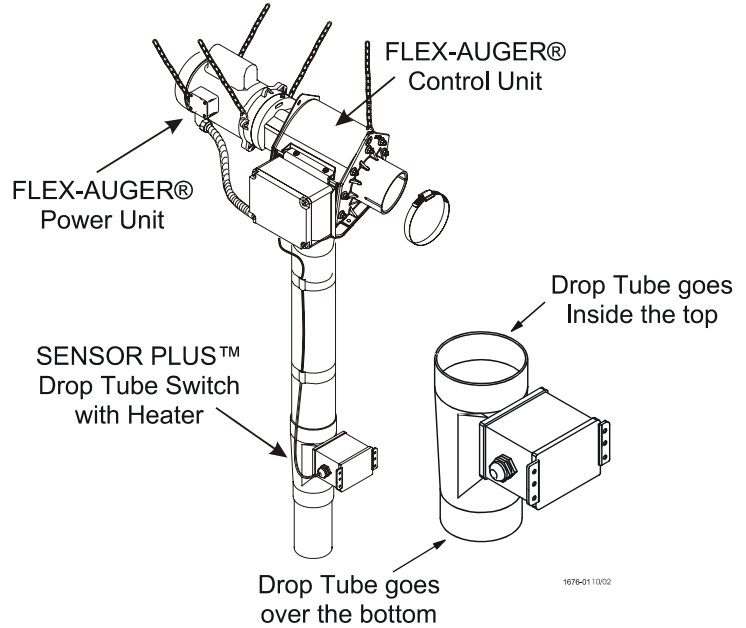
Part Number 46316

Introduction

The SENSOR PLUS™ Drop Tube Switch with Heater has been designed to work with the Model 55, 75, 90, and HMC FLEX-AUGER® Fill Systems.

The SENSOR PLUS™ Drop Tube Switch with Heater has a built in heater to dissipate moisture around the sensor.

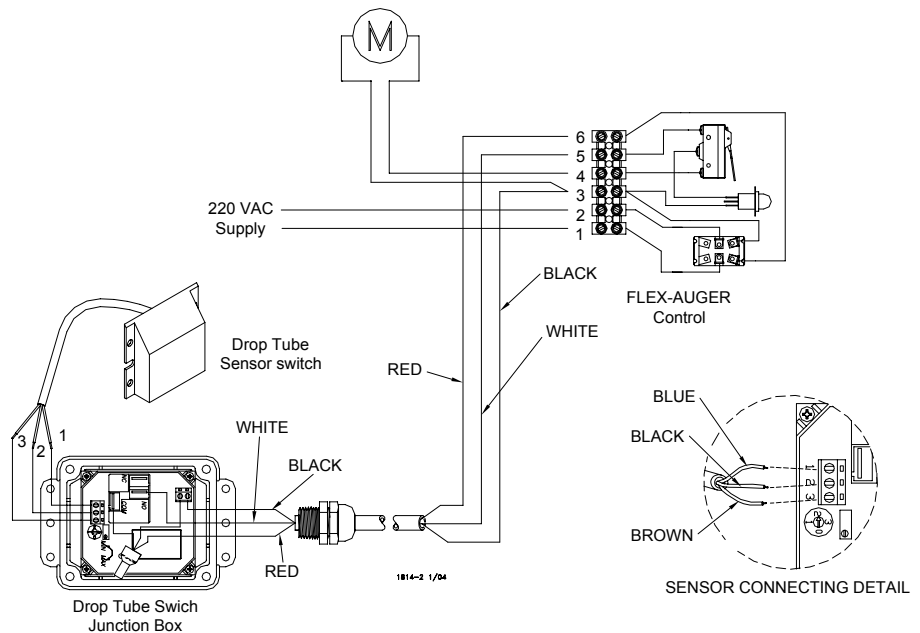
The SENSOR PLUS™ Drop Tube Switch with Heater can be installed to the Control Unit Funnel or in-line on the Drop Tube.



Wiring Diagram

See diagram at right.

1. "RED" wire from Drop Tube Switch to terminal number 6 in the FLEX-AUGER Control.
2. "BLACK" wire from Drop Tube Switch to terminal number 3 in the FLEX-AUGER Control.
3. "WHITE" wire from Drop Tube Switch to terminal number 5 in the FLEX-AUGER Control.



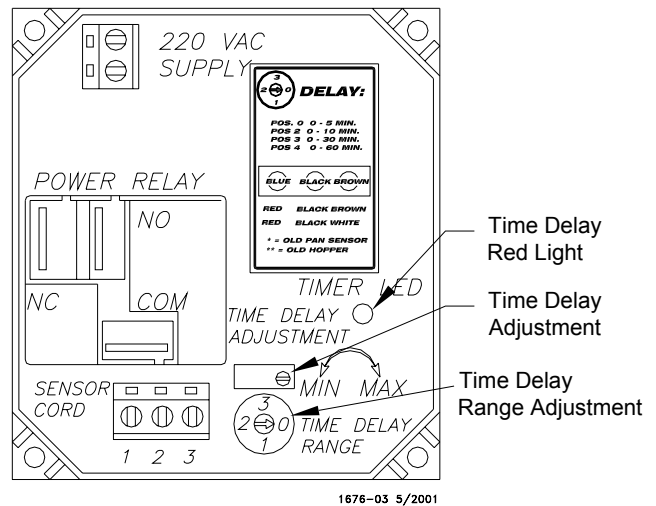
46316 DROP TUBE SWITCH WIRING DIAGRAM

Chore-Time Equipment a Division of CTB Inc.
P.O. Box 2000 • Milford, Indiana 46542-2000 • U.S.A.
Phone (574) 658-4101 • Fax (877) 730-8825

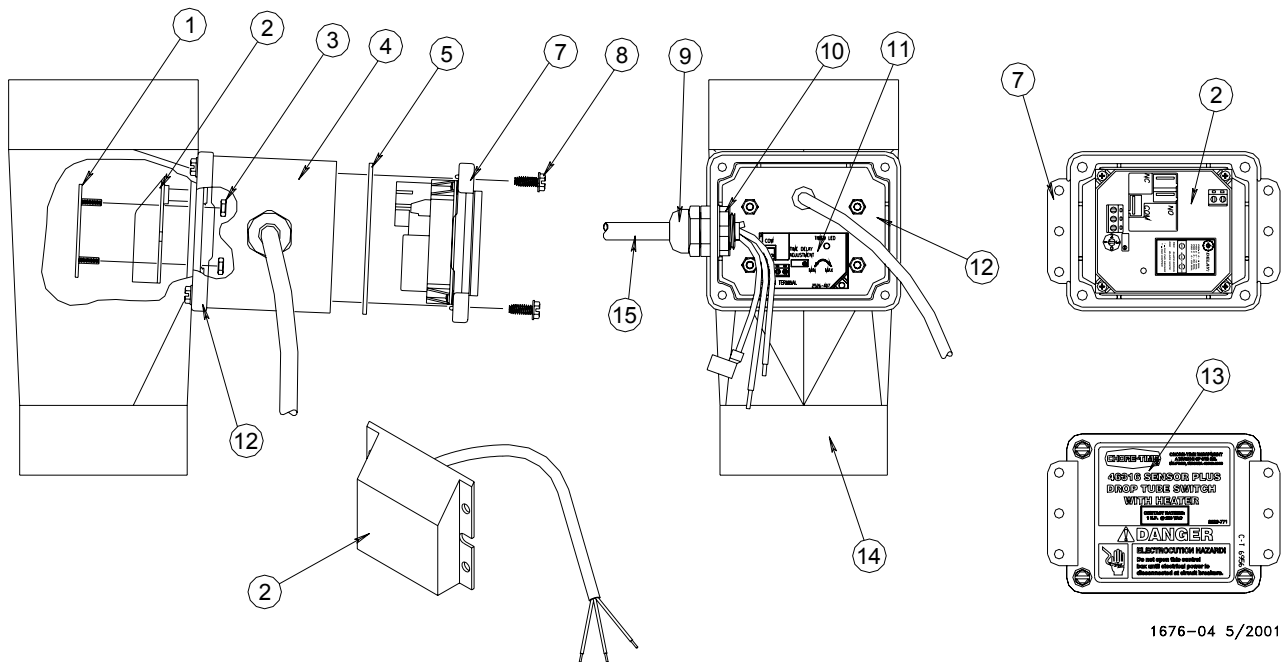
Time Delay Adjustment

The time delay is set at the factory at 10 to 15 seconds.

- Select a time delay range for the SENSOR PLUS switch. The ranges are:
 - 0 0 to 5 minutes
 - 1 0 to 10 minutes
 - 2 0 to 30 minutes
 - 3 0 to 60 minutes
- With power applied, locate the Time Delay Red Light in the junction box. A slow blinking light means that the time delay is long.
- Turning the Time Delay Adjustment counter-clockwise will shorten the time delay and make the light blink faster, turning the Time Delay Adjustment clockwise will lengthen the time delay and make the light blink slower.



SENSOR PLUS™ Drop Tube Switch Parts List



Item	Description	Part No.
1	Sensor Retainer	46314
2	Switch, Sensor Plus Level Ass'y w/Heater	48579
3	#6-32 Nut	771
4	Machined Junction Box	42627-1
5	Gasket	6777
6		
7	Junction Box Bottom Cover	6956
8	#10 Screw	28075

Item	Description	Part No.
9	1/2" Water Tight Connector	23779
10	Plastic Conduit Lock Nut	43662
11	Adjustment Decal	2526-409
12	Machined Junction Box Cover	46313
13	Danger/Product Identification Decal	2529-771
14	Drop Tube Housing	46315
15	Cord Assembly	4999-106