



# SENSOR PLUS™ Drop Tube Switch with Heater & Safety Timer

Part Number 46663

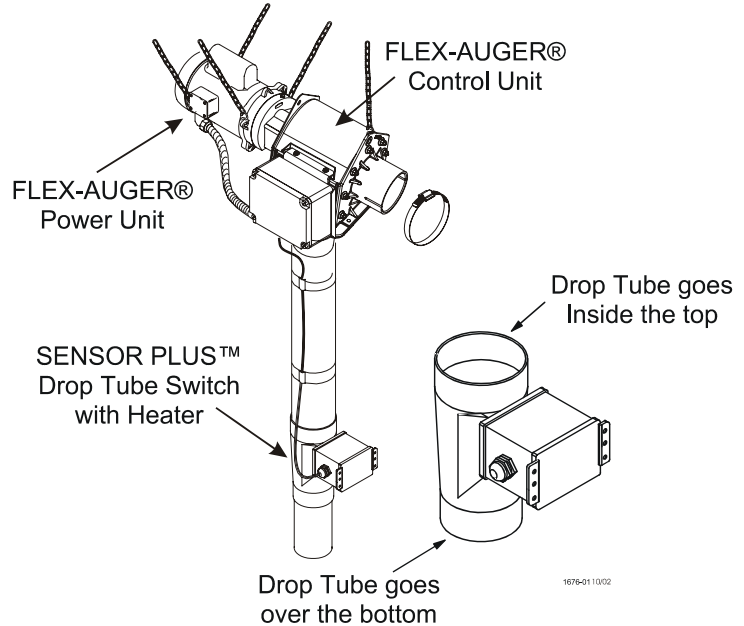
## Introduction

The SENSOR PLUS™ Drop Tube Switch with Heater has been designed to work with the Model 55, 75, 90, and HMC FLEX-AUGER® Fill Systems.

The Safety Timer will allow the operator to set the maximum run time for the auger to ensure that it will not continue to operate if the feed bin runs out of feed.

The SENSOR PLUS™ Drop Tube Switch with Heater has a built in heater to dissipate moisture around the sensor.

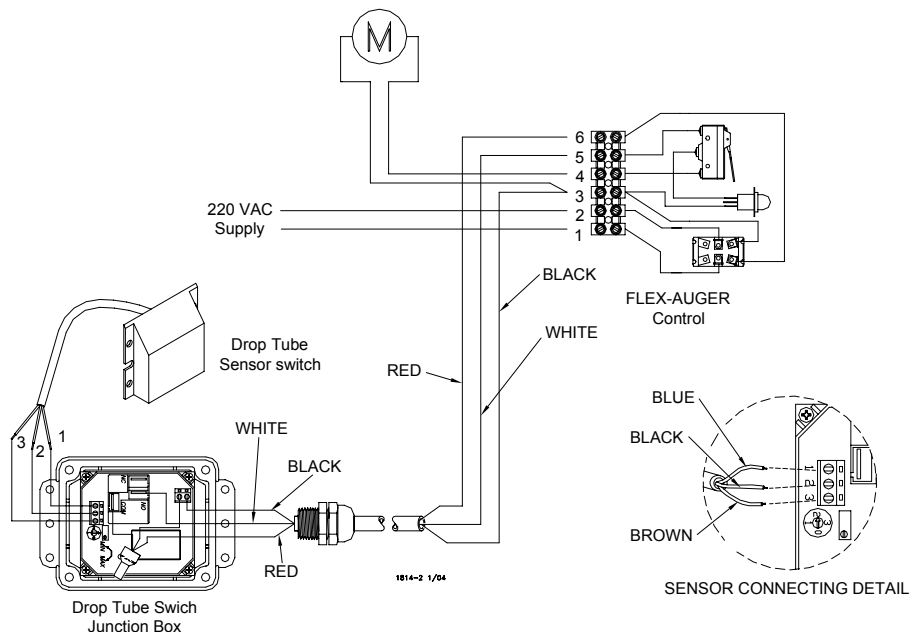
The SENSOR PLUS™ Drop Tube Switch with Heater can be installed to the Control Unit Funnel or in-line on the Drop Tube.



## Wiring Diagram

See diagram at right.

1. "RED" wire from Drop Tube Switch to terminal number 6 in the FLEX-AUGER Control.
2. "BLACK" wire from Drop Tube Switch to terminal number 3 in the FLEX-AUGER Control.
3. "WHITE" wire from Drop Tube Switch to terminal number 5 in the FLEX-AUGER Control.



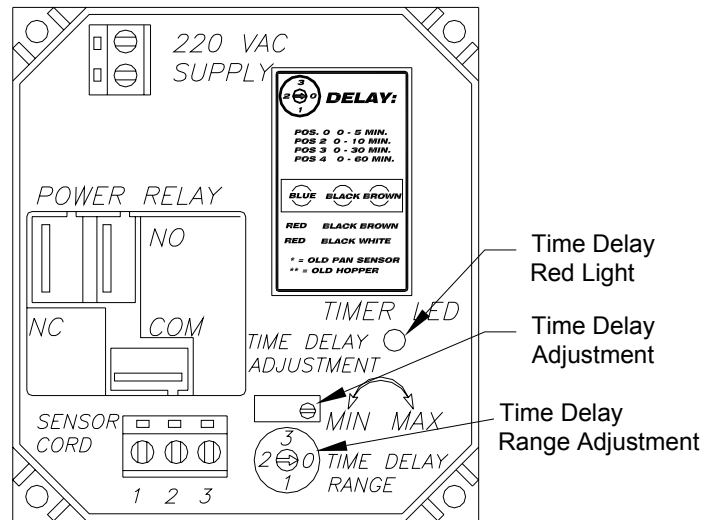
46316 DROP TUBE SWITCH WIRING DIAGRAM

Chore-Time Equipment a Division of CTB Inc.  
P.O. Box 2000 • Milford, Indiana 46542-2000 • U.S.A.  
Phone (574) 658-4101 • Fax (877) 730-8825

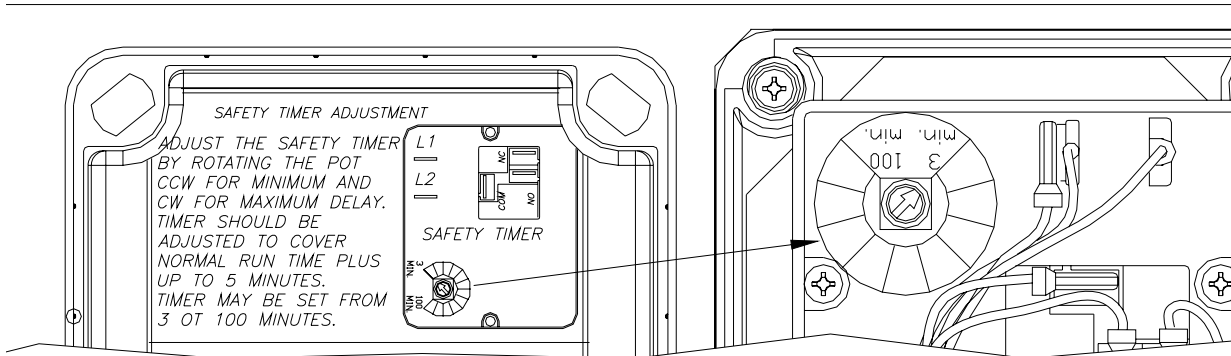
## Time Delay Adjustment

The time delay is set at the factory at 10 to 15 seconds.

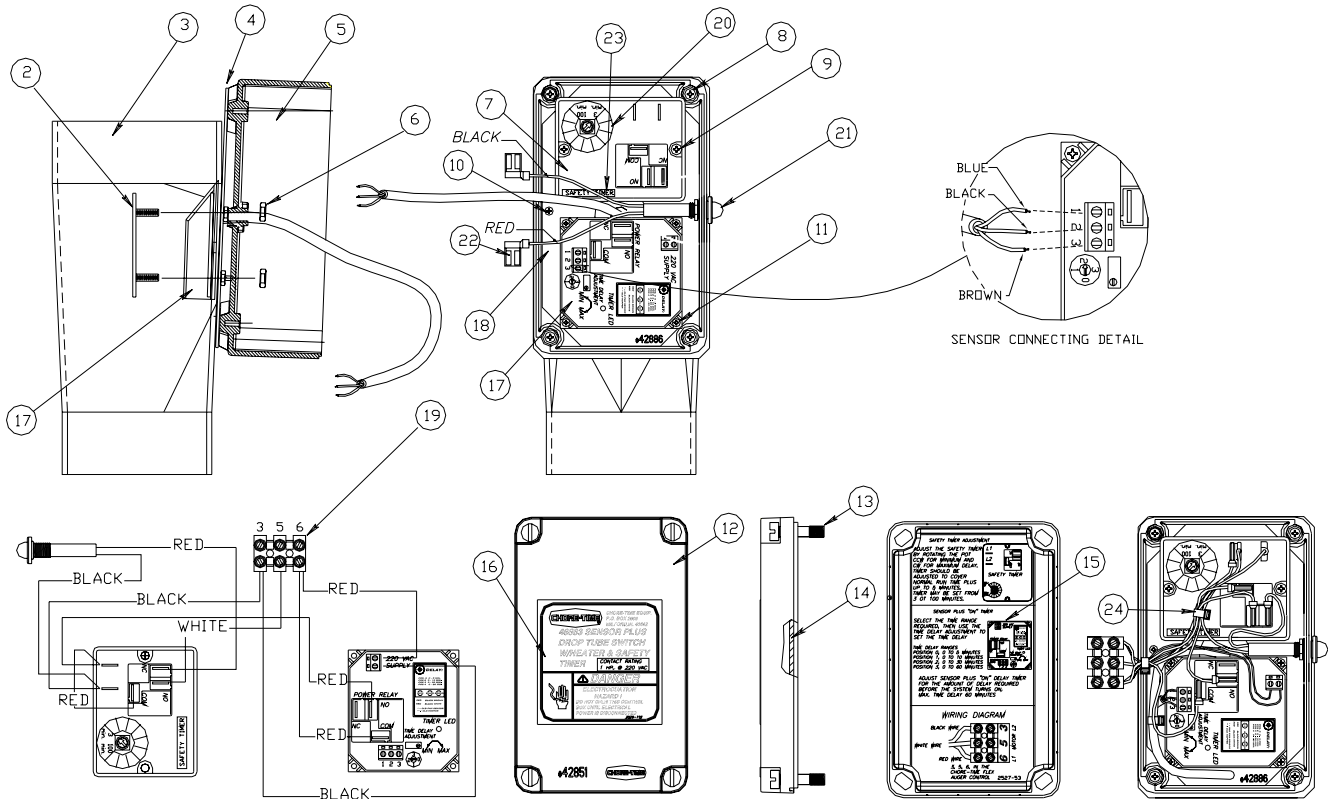
1. Select a time delay range for the SENSOR PLUS switch. The ranges are:
  - 0 0 to 5 minutes
  - 1 0 to 10 minutes
  - 2 0 to 30 minutes
  - 3 0 to 60 minutes
2. With power applied, locate the Time Delay Red Light in the junction box. A slow blinking light means that the time delay is long.
3. Turning the Time Delay Adjustment counter-clockwise will shorten the time delay and make the light blink faster, turning the Time Delay Adjustment clockwise will lengthen the time delay and make the light blink slower.



## Safety Timer Adjustment



# SENSOR PLUS™ Drop Tube Switch Parts List



| Item | Description                | Part No. |
|------|----------------------------|----------|
| 2    | Sensor Retainer            | 48079    |
| 3    | Machined Drop Tube Housing | 46315    |
| 4    | Adapter Plate              | 46731    |
| 5    | Machined 4 x 6 Box         | 46729    |
| 6    | #6-32 Steel Nut            | 771      |
| 7    | Timer Module               | 46732    |
| 8    | #8-32 x .375 SFTP Screw    | 46092    |
| 9    | #6-32 x .875 SFTP Screw    | 46986    |
| 10   | #6 Screw                   | 46011    |
| 11   | #4-40 x .25 SFTP Screw     | 46987    |
| 12   | 4 x 6 Plastic Box Cover    | 42851    |
| 13   | 4 x 6 Plastic Box Cover    | 42849    |

| Item | Description                               | Part No. |
|------|---|----------|
| 14   | 4 x 6 Gasket                              | 42854    |
| 15   | Decal                                     | 2527-53  |
| 16   | Decal                                     | 2527-772 |
| 17   | Switch, Sensor Plus Level Ass'y w/ Heater | 48579    |
| 18   | Switch Box Rear Panel                     | 46730    |
| 19   | Terminal Block (3 position)               | 34925-3  |
| 20   | Decal                                     | 2527-54  |
| 21   | Pilot Light                               | 46047    |
| 22   | 90 Deg. Quick Connect                     | 40579    |
| 23   | Decal                                     | 2527-55  |
| 24   | Wire Ties                                 | 6635     |



**Made to work.<sup>SM</sup>**

**Built to last.**

Contact your nearby Chore-Time distributor or representative for additional parts and information.

CTB Inc.  
P.O. Box 2000 • Milford, Indiana 46542-2000 • U.S.A.  
Phone (574) 658-4101 • Fax (877) 730-8825  
E-mail: [poultry@choretime.com](mailto:poultry@choretime.com) • Internet: <http://www.choretime.com>

Printed in the U.S.A.