

Miscellaneous Components

Outlet Drops

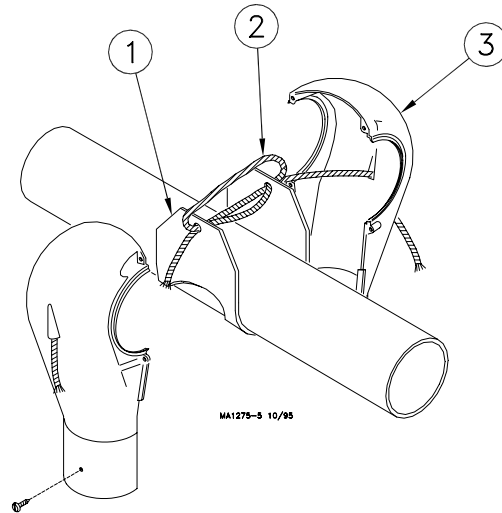
Model 55 Outlet Drop: **8470**

Model 75 Outlet Drop: **6682**

Model 90/HMC Outlet Drop: **7483**

Manufactured
to 10/2000

		8470	6682	7483
		Mfg'd to 10/2000	Mfg'd to 10/2000	Mfg'd to 10/2000
Item	Description	Part No	Part No	Part No
1	Slide	8471	6681	7481
2	Rope	3085-4	3085-4	3085-4
3	Drop Half	8468	6673	7324
--	Indicator Ball (red)	24393-1	24393-1	24393-1
--	Indicator Ball (green)	24393-2	24393-2	24393-2



Model 55 Outlet Drop: **43455C**

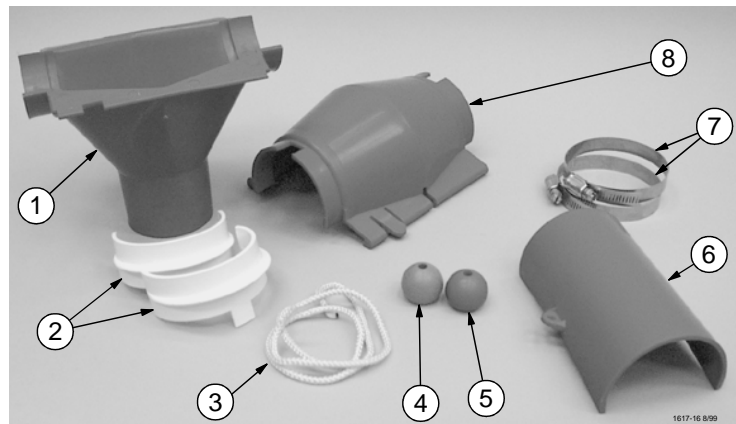
Model 55 Outlet Drop: **43455R**

Model 75 Outlet Drop: **43475C**

Model 75 Outlet Drop: **43475R**

Model 90/HMC Outlet Drop: **43490C**

Model 90/HMC Outlet Drop: **43490R**



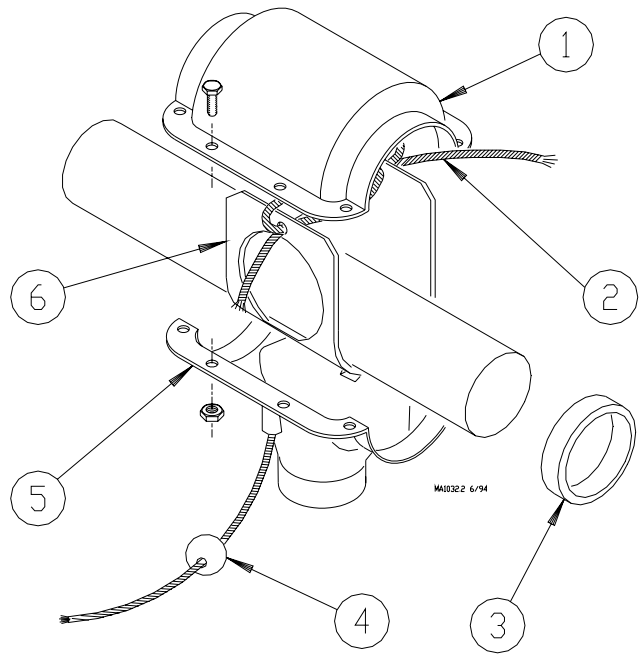
Manufactured
12/1999 to Present

		43455C	43455R	43475C	43475R	43490C	43490R
Item	Description	Part No	Part No	Part No	Part No	Part No	Part No
1	Outlet Bottom	---	---	---	---	---	---
2	Retainer	---	42466	---	42467	---	42468
3	Cord (10 Feet)	3085-4	3085-4	3085-4	3085-4	3085-4	3085-4
4	Green Indicator Ball	24393-2	24393-2	24393-2	24393-2	24393-2	24393-2
5	Red Indicator Ball	24393-1	24393-1	24393-1	24393-1	24393-1	24393-1
6	Rotary Slide	---	---	---	---	---	---
7	Clamp	8643	---	6183	---	6183	---
8	Outlet Top	---	---	---	---	---	---

Model 108 Outlet Drop: 34358

Model 125 Outlet Drop: 43782

Item	Description	34358	13782
		Mfg'd 1/1994 to Present	Mfg'd to 10/1995
1	Top Half	13780	13780
2	Rope	3085-4	3085-4
3	Ring Adapter (for PVC systems)	34630	---
	Ring Adapter (for Steel systems)	34360	---
4	Indicator Ball (red)	24393-1	24393-1
	Indicator Ball (green)	24393-2	24393-2
5	Drop Half Bottom	13781	13781
6	Slide	34359	8328

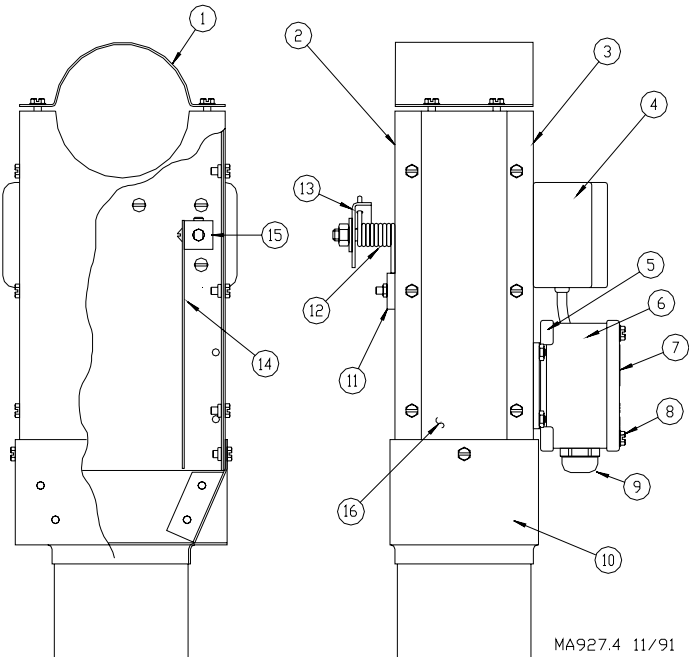


Model 75 Electric Outlet Drop: 24174

Model 90 Electric Outlet Drop: 28417

Manufactured
8/1993 to Present

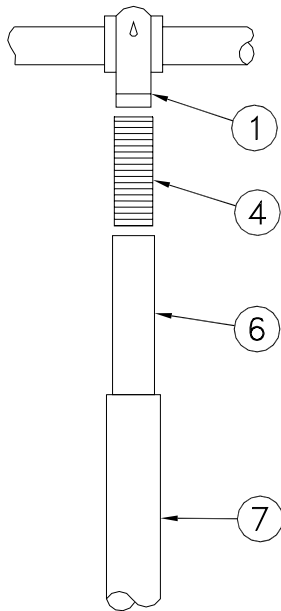
Item	Description	24174	28417
		Part No	Part No
1	Pipe Cover	29030	28409
2	Front Panel	29031	28406
3	Back Panel	29032	28407
4	Torque Box	28413	28413
5	Mounting Cover	6956	6956
6	Terminal Box	24280	24280
7	Box Cover	6776	6776
8	Twin Helix Screw	6980	28075
9	1/2" Liquid Tight Connector	23779	23779
10	Transition Assembly	29020	29020
11	Adjustment Plate	28440	28440
12	Torsion Spring	28414	28414
13	Torsion Spring Arm	28415	28415
14	Paddle	28410	28410
15	Paddle Support	28412	28412
16	Side Panel	28408	28408



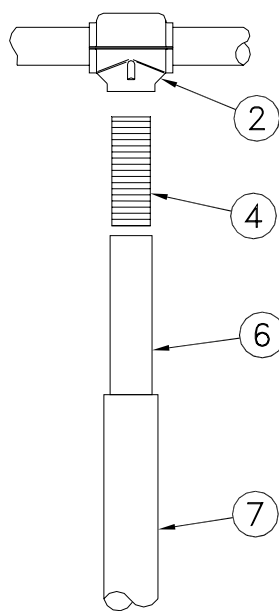
Drop Tubes

		Model 55	Model 75	Model 90	Model HMC	Model 108	Model 125
Item	Description	Part No	Part No	Part No	Part No	Part No	Part No
1	Outlet Drop Kit	8470	6682	7483	8483	---	---
2	Outlet Drop Kit	---	---	---	---	34358	13782
3	Drop (Funnel)	6091	6091	6091	6091	13803	13803
4	Flexible Drop Tube	---	---	---	---	---	---
	Small Galv. (50')	7497	7497	7497	7497	---	---
	Small Galv. (18")	1931	1931	1931	1931	---	---
	Large Galv. (50')	6383	6383	6383	6383	---	---
	Large Galv. (18")	6382	6382	6382	6382	---	---
	Stainless Steel (9.5")	13266	13266	13267	13267	13804	13804
	Stainless Steel (25')	13265-1	13265-1	13265-2	13265-2	13265-3	13265-3
5	Flexible Drop Tube (9.5")	13267	13267	13267	13267	13804	13804
6	Plastic Drop Tube (12')	1932	1932	6381	6381	9900	9900
7	Telescoping Drop Tube (6')	14366-1932	14366-1932	14366-6381	14366-6381	14366-9900	14366-9900

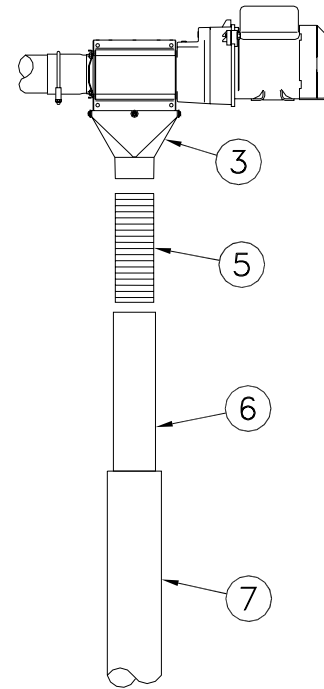
MODEL 55, 75, 90, & HMC



MODEL 108 & 125



ALL MODELS



MA1275-13 11/95

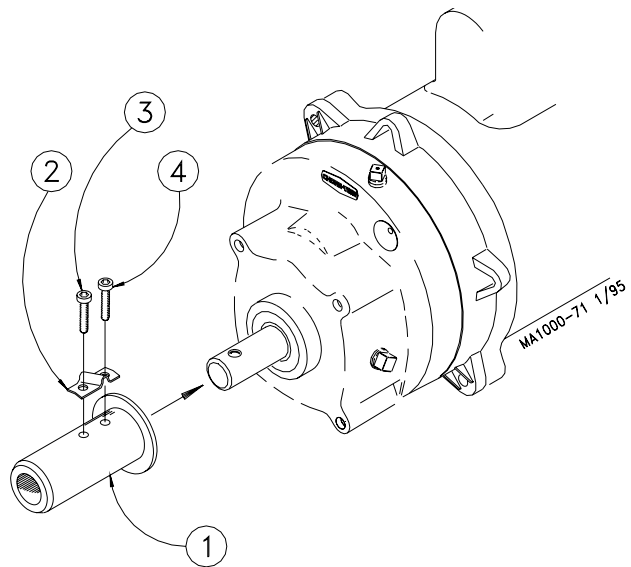
Driver Assemblies

Model 75/HMC Driver Assembly: 6862

Model 90 Driver Assembly: 6861

Model 108 Driver Assembly: 30313

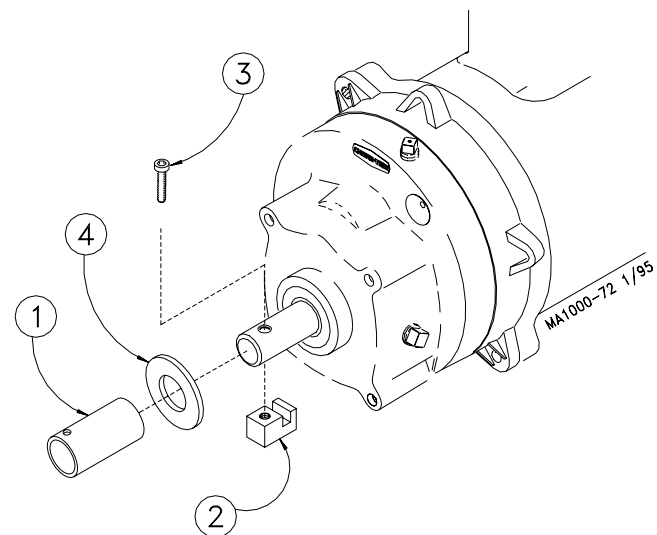
Model 125 Driver Assembly: 8103



		6862	6861	30313	8103
Item	Description	Part No	Part No	Part No	Part No
1	Driver Weldment	7704	7706	30312	8104
2	Anchor Clamp	7703	7703	7703	7703
3	5/16-18 Socket Hd Cap Screw	6850-3	6850-3	6850-1	6850-1
4	5/16-18 Socket Hd Cap Screw	6850-4	6850-4	6850-2	6085-2

Model 55 Driver Assembly: 46458

Item	Description	Part No
1	Drive Tube	2920
2	Drive Block	4642
3	1/4-20 x 1-1/2" Screw	5083-8
4	Flat Washer	1484



Model 90 Driver Assembly: 47722

Model 108 Driver Assembly: 34349

		34349	47722
Item	Description	Part No	Part No
*1	Agitator Bar	34352	47717
2	Spring Pin	6022	2960-8
3	5/16-18 Socket Hd Cap Screw	6850-1	6850-3
4	5/16-18 Socket Hd Cap Screw	6850-2	6850-4
5	Anchor Clamp	7703	7703
6	Driver Weldment	34350	25705

***Item is supplied with Screener in the Model 108 and is not supplied with 34349 Driver Assembly.**

