

48" Fan Belt Tension Conversion Kit #40183

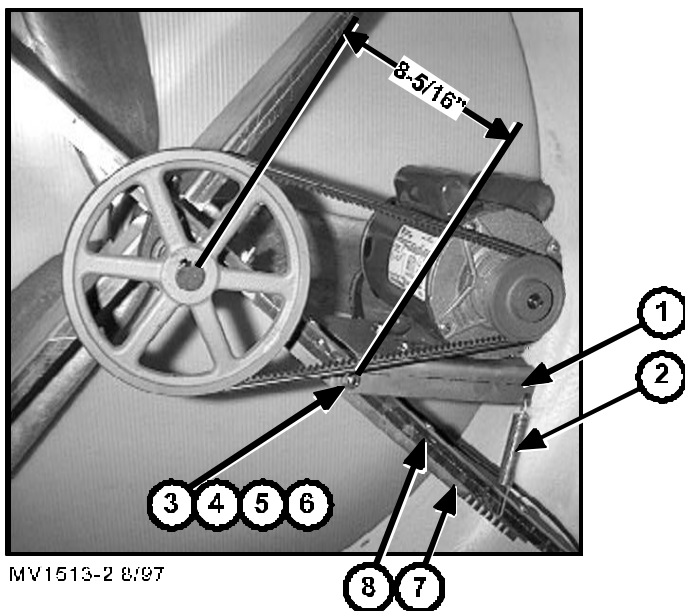
Introduction

The #40183 Fan Belt Tension Conversion Kit is designed to retrofit **Aerotech 48" Belt Drive Fans** without belt tensioning systems. This will allow a constant tension to be maintained on the belt, as well as reducing slippage and belt wear.

Installation Instructions

1. Disconnect Electrical Supply
2. Use a drill with an 11/32" bit to make two holes, one on each flange of the fan motor mount. The holes should be approximately in the middle of the flange. The dimension between the center of the shaft to the center of the swivel bolt should be 8-5/16"—this is very critical.
3. The bushings are placed inside the factory drilled holes of item 1. They allow for the motor mount to hinge freely.
4. The notched rear angle mount, item 7 is placed under the fan motor mount on the belt drive side. Once the swivel bolts are secured (using items 3,5, and 6), three holes (11/32") need to be drilled through the fan motor mount. Use the factory drilled holes of item 7 as a pattern
5. The spring is then set in one of the notches—see item 7. This may vary depending on the belt used and the desired tension.

IMPORTANT
Disconnect Electrical Supply
Prior to Beginning Installation.
The Fans May Start
Automatically Causing Serious
Injury or Damage to Equipment.



MV1513-2 8/97

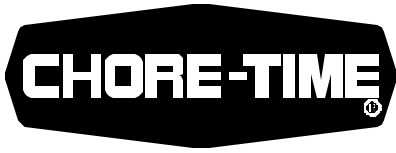
Key	Description	Part No.
—	Complete Kit	40183
1	SS Self Tension Motor Mount	39677
2	Spring—.60x5.44	39684
3	Swivel Bolt HH SS 5/16-18x.75 Plain (5)	4412-11
4	SFTN SS Bushing .328x.625x.135 (2)	39681
5	Hx Nut SS 5/16-18 (5)	8543
6	.375 x .875 x .075 SS Washer (4)	8933
7	SS Notched Rear Angle Motor Mount	39679
8	Flanged Motor Mount	—

CTB Inc.

P.O. Box 2000 • Milford, Indiana 46542-2000 • U.S.A.

Phone (219) 658-4101 • Fax (800) 333-4191

E-Mail: ctb@ctbinc.com • Internet: <http://www.ctbinc.com>



48" Fan Belt Tension Conversion Kit #40183

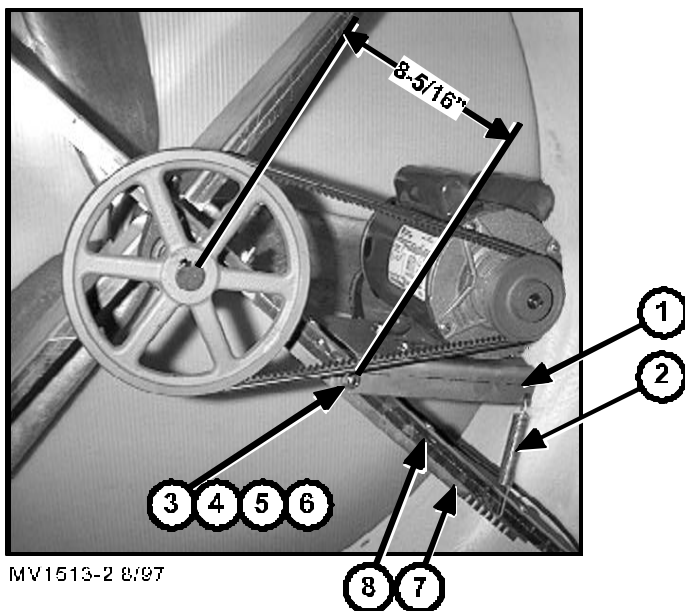
Introduction

The #40183 Fan Belt Tension Conversion Kit is designed to retrofit **Aerotech 48" Belt Drive Fans** without belt tensioning systems. This will allow a constant tension to be maintained on the belt, as well as reducing slippage and belt wear.

Installation Instructions

1. Disconnect Electrical Supply
2. Use a drill with an 11/32" bit to make two holes, one on each flange of the fan motor mount. The holes should be approximately in the middle of the flange. The dimension between the center of the shaft to the center of the swivel bolt should be 8-5/16"—this is very critical.
3. The bushings are placed inside the factory drilled holes of item 1. They allow for the motor mount to hinge freely.
4. The notched rear angle mount, item 7 is placed under the fan motor mount on the belt drive side. Once the swivel bolts are secured (using items 3,5, and 6), three holes (11/32") need to be drilled through the fan motor mount. Use the factory drilled holes of item 7 as a pattern
5. The spring is then set in one of the notches—see item 7. This may vary depending on the belt used and the desired tension.

IMPORTANT
Disconnect Electrical Supply
Prior to Beginning Installation.
The Fans May Start
Automatically Causing Serious
Injury or Damage to Equipment.



MV1513-2 8/97

Key	Description	Part No.
—	Complete Kit	40183
1	SS Self Tension Motor Mount	39677
2	Spring—.60x5.44	39684
3	Swivel Bolt HH SS 5/16-18x.75 Plain (5)	4412-11
4	SFTN SS Bushing .328x.625x.135 (2)	39681
5	Hx Nut SS 5/16-18 (5)	8543
6	.375 x .875 x .075 SS Washer (4)	8933
7	SS Notched Rear Angle Motor Mount	39679
8	Flanged Motor Mount	—

CTB Inc.

P.O. Box 2000 • Milford, Indiana 46542-2000 • U.S.A.

Phone (219) 658-4101 • Fax (800) 333-4191

E-Mail: ctb@ctbinc.com • Internet: <http://www.ctbinc.com>