

# Turbo 10" Tube Fans Part Numbers 44256 and 44257

## Installation:

The 10" Tube Fan is designed to be inserted into the belled end of a 10" diameter piece of PVC pipe (not supplied). Orient the Fan with the motor cord exiting the bottom of the Fan. The Fan may be secured in the bell using (3) 1/2" machine or self-tapping screws (not supplied).

Two sizes of the 10" Tube Fans are available. The 10.5" [26.67 cm] Housing may be used with sewer and drain SDR pipe. The 10.2" [25.9 cm] Housing may be used with irrigation pipe.

The Junction Box is secured to the Wire Screen for shipping purposes. Remove the Junction Box from the Wire Screen and secure to the PVC Pipe or other structure. Orient the junction box with the electrical cords exiting the bottom of the box.

Wire the fan according to the wiring diagram in this instruction.

## Fan Specifications:

The 10" Tube Fans use a 1/5 HP, 3300 RPM, 230 V, 60 Hz, 1.2 Amps variable speed motor.

The 10" Tube Fans are designed to operate at a static pressure of 0.50" water column or less.

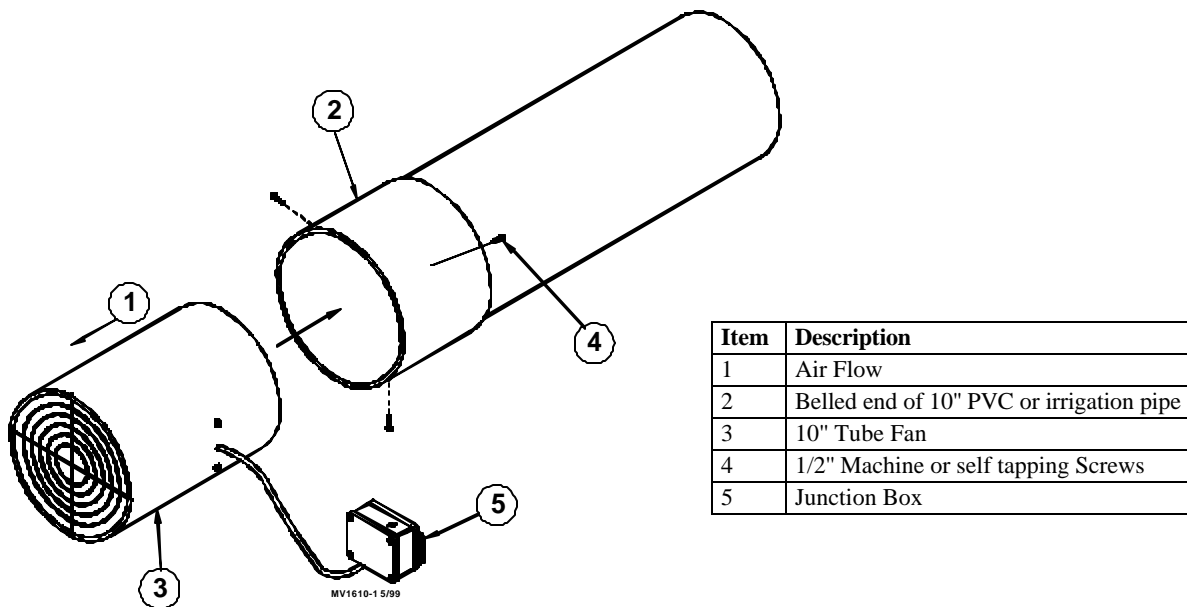
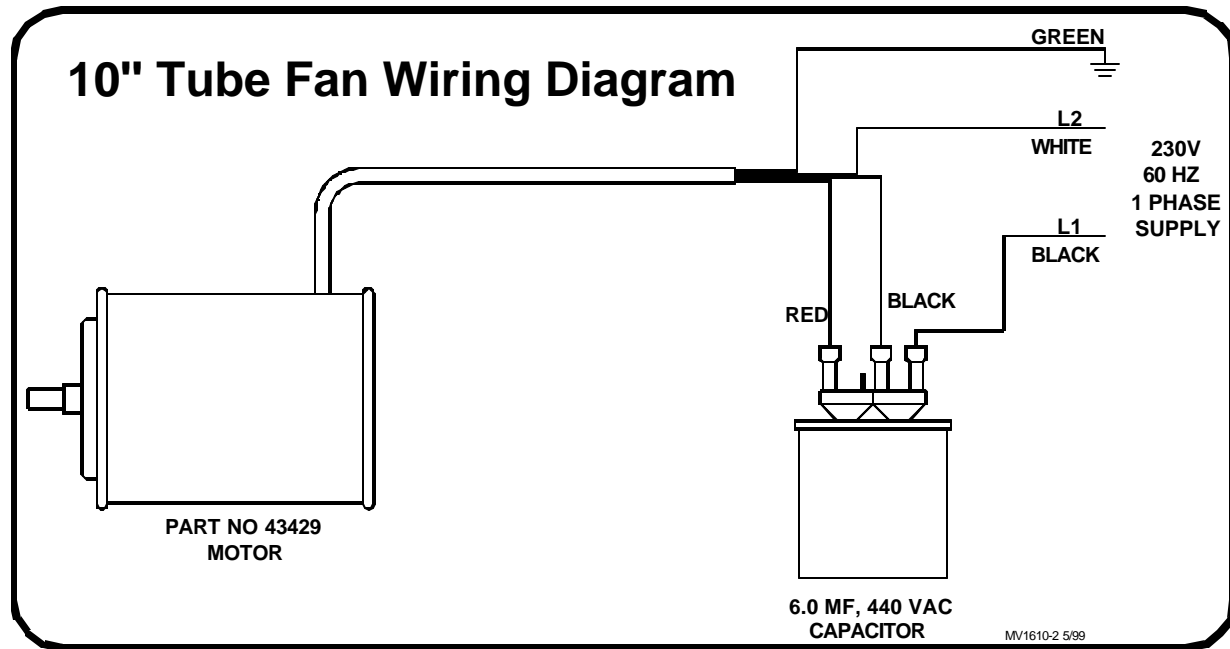


Figure 1. 10" Tube Fan Assembly



Item	Description	Part Number
1	Danger	2527-50
2	10" Fan Screen	35676
3	1/2" Liquid Tight Connector	23779
4	Box	44072
5	Capacitor	44066
6	Gasket	6777
7	Box Cover	6776
8	Box Mounting Cover	6956
9	10.2" Fan Housing	43927
	10.5" Fan Housing	43926
10	1/5 H.P. Motor	43429
11	10" Fan Motor Mount	43869
12	10" Fan Blade	38628
13	10.5" Fan Decal	2529-726
	10.2" Fan Decal	2529-725
14	This Side Up-Decal	2526-389
15	10.2" O.D. Fan Assembly	44256
	10.5" O.D. Fan Assembly	44257

