



# Belt Drive Manual and Spring Tension Replacement Mount Kits

## Belt Drive Manual Tension Mount Kit

Part No.s 44498-1 (8.96) and 44498-2 (9.82)

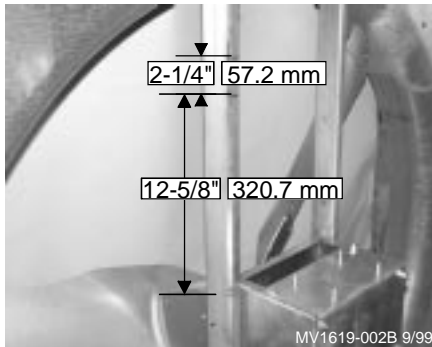


Figure 1. Bolt Hole location for Bracket

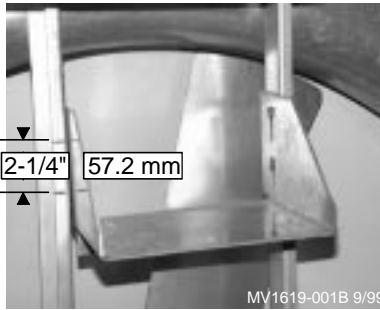


Figure 2. U-Motor Mounting Bracket

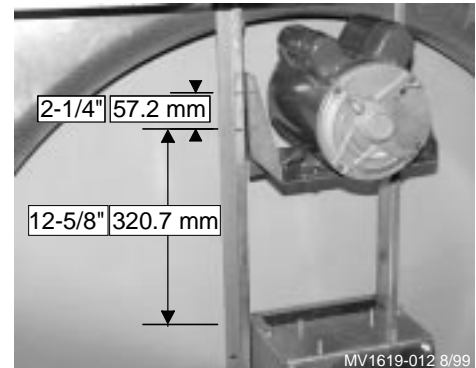


Figure 3. Bolt Hole location with Motor Mounted

1. Disconnect power and remove the shutter from the back of the fan.
2. Remove belt from the motor by cutting the belt and discarding it.
3. Remove the motor from mounting studs.
4. Measure and mark 12-5/8" up from the top of motor mount surface on each post and 5/8" in from the back edge of the post, **see Figure 1**. Mark a second hole 2-1/4" directly up from the first hole on each post.
5. Drill four 3/8" holes at the center mark of the marked locations.
6. Mount the new U-Motor Mount Bracket, **see Figure 2**, to the posts with the carriage bolts and lock nuts provided. (Note: The top of the slots should line up with the holes to allow the bracket to move up to provide belt tension adjustment).
7. Secure the motor on the new motor mount bracket using carriage bolts, flat washers, and lock nuts provided, **see Figure 3**.
8. Use V-Belt AX56, provided. Loop the belt around each of the blades and on to the drive sheave.
9. Apply tension by moving the U-Mount Motor Bracket upward and re-tighten bolts to secure. **See Figure 4**. See Decal on side of Bracket for belt tensioning diagram.
10. Attach the loose electrical cord to the posts. Remove excess cord length if necessary. Retain enough cord to provide a drip loop to keep water out of the motor housing.
11. Replace the shutter, re-connect power.

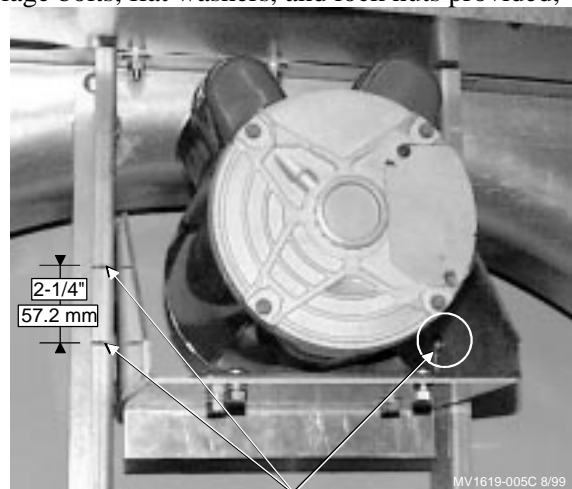
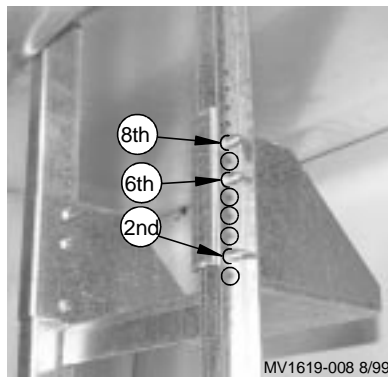


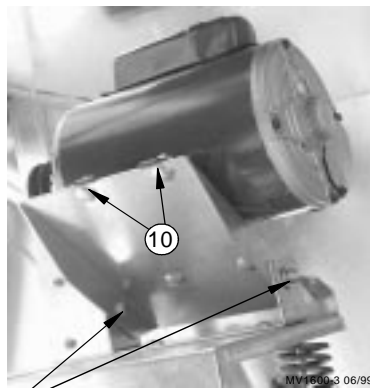
Figure 4. Bolt Hole location for Bracket

Belt Tension Adjustment Bolt Location  
(2 bolts per side)

# Belt Drive Spring Tension Mount Kit (44802)

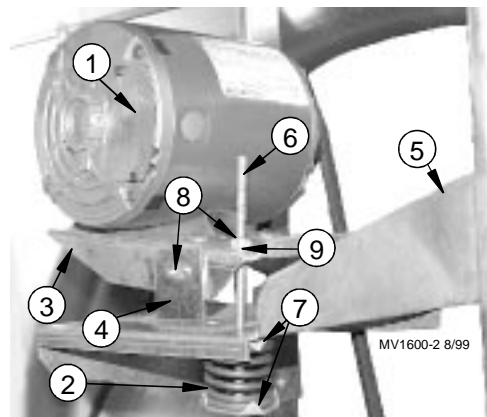


**Figure 5. Bolt Position for Bracket Mounting**

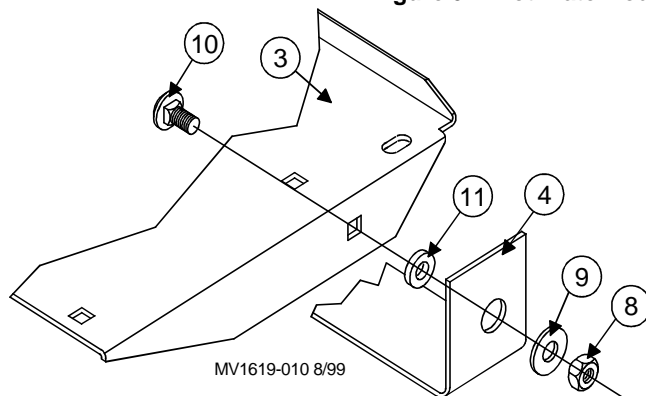


**Figure 6. Pivot Plate Mounting Bolts**

See Figure 8. For Details



**Figure 7. Rear View of Motor Installation.**



**Figure 8. Assembly Detail**

Item	Description	Part No.
1	Motor Wiring Cover Plate	Motors Vary
2	Spring Compress to 2.25"	43715
3	Pivot Motor Mount Plate	44801
4	Pivot Plate Mounting Bracket	46444
5	U-Motor Mounting Bracket	46443
6	Bolt 5/16-18 x 5.5"	4412-21
7	Spring Cap (2 pcs)	44002
8	5/16" Locking Hex Nut	2148
9	5/16" Flat Washer	546
10	5/16"-18 x .625 Carriage Bolt	8282
11	Self Tension Hinge Bushing	38896

1. Disconnect power and remove the shutter from the back of the fan.
2. Remove the belt from the motor drive by cutting the belt and discarding.
3. Remove the motor from the mounting bolt. Also remove and discard the lower mounting plate and spring.
4. Mount the new U-Motor Mounting Bracket to the posts at the second, and sixth, and eighth holes, **see Figure 5**, up in the upper hole combination with the 1/4" bolts, the bolt heads should be to the inside, and 1/4" lock nuts provided.
5. Secure the Pivot Plate Mounting Bracket, **see Figure 6**, on the new U-Motor Mount Bracket using the two carriage bolts, and Lock Nuts provided.
6. Mount the Pivot Motor Mount Plate, on the new U-Motor Mount Bracket using the two carriage bolts, with the bolt head to the inside, **see Figure 8**, bushings, flat washers, and lock nuts which are provided.
7. Place the Spring Caps and spring on the 5.5" bolt, and bring the bolt up through both Mount Plates. Then secure the bolt with a flat washer, and lock nut, **see Figure 7**.
8. Mount the Motor to the Pivot Motor Mount Plate by using the supplied carriage bolt with the heads coming up from the bottom and flat washer, lock washer, and 5/16"-18 hex nut on top, **see Figure 6**.
9. Use the V-Belt AX56 provided. Loop the belt around each of the blades and on to the drive sheave. Tighten the lock nut until the spring is compressed to 2.25".
10. Attach the loose electrical cord to the posts. Retain enough cord to provide a drip loop to keep water out of the motor housing. Remove excess cord length if necessary.
11. Replace the shutter, re-connect the power.

## Parts Listing

<b>BD Replacement Mount Kits —Manual Tension—Part No. 44498-1—44498-2</b>		
<b>Qty.</b>	<b>Description</b>	<b>Part No.</b>
1	Motor Mount Bracket 8.96" (Included in 44498-1)	43655-1
1	Motor Mount Bracket 9.82" (Included in 44498-2)	43655-2
1	V-Belt AX56	43816
1	Hardware Package <b>Includes the following parts.</b>	44499
8	Carriage Bolt 5/16"-18 x .625	8282
8	Hex Lock Nut 5/16"-18	2148
4	Flat Washer 5/16"	546

<b>BD Replacement Mount Kit 9.82" —Spring Tensioner— Part No. 44802</b>		
<b>Qty.</b>	<b>Description</b>	<b>Part No.</b>
1	U-Motor Mounting Bracket (Included in 44802)	46443
1	Pivot Plate Mounting Bracket	46444
1	Pivot Motor Mount Plate	44801
1	V-Belt AX56	43816
1	Hardware Package <b>Includes the following parts.</b>	44803
2	Self-Tension Hinge Bushing	38896
2	Spring Cap	44002
1	Compression Spring	43715
1	5/16" x 5.5" Bolt	4412-21
7	Flat Washer	546
5	Lock Nut 5/16-18	2148
8	Carriage Bolt 5/16" -18 x .625	8282
4	5/16"-18 Nut	2145
4	Lock Washer 5/16"	547
6	1/4"-20 x .75 Bolt	1133
6	Lock Nut 1/4"-20	1269



**Chore-Time Equipment a Division of CTB Inc.  
P.O. Box 2000 · Milford, Indiana 46542-2000 · U.S.A.  
Phone (219) 658-4101 · Fax (800) 333-4191  
E-Mail: [ctb@ctbinc.com](mailto:ctb@ctbinc.com) · Internet: <http://www.ctbinc.com>**