

Turbo-Cool Sump Support Revision

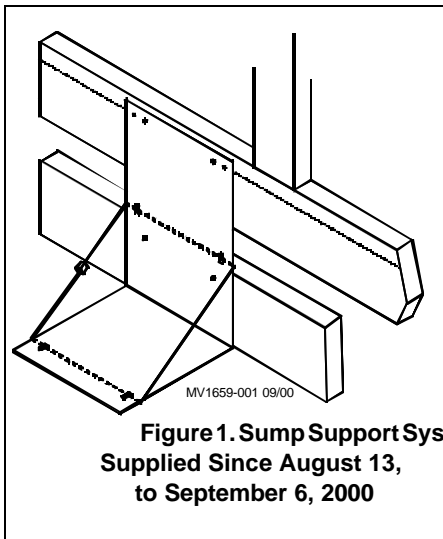
Memo To: Chore-Time TURBO-COOL™ Customers

Date: September 6, 2000

SUBJECT: TURBO-COOL SUMP REVISION

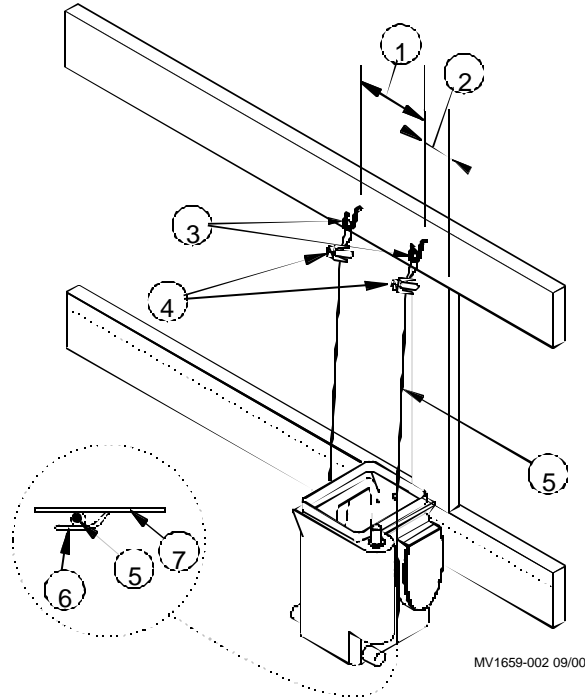
In further testing we have found that the Sump Support and Cable Loop supplied with TURBO-COOL™ systems since August 13, 2000, may not be sufficient to prevent the Sump from sagging under certain conditions. If you have installed a system as shown in **Figure 1** and it appears to be sagging, the fix is to use the cabling as shown in **Figure 2**. Upon request, the cable and hardware are available in a kit, Part No. 46430, and are free of charge to all customers who have received the 46340 Sump Kits since August 13. Please call your Chore-Time Customer Service representative to request Kits. All Sump Kits shipped after September 6, 2000 will include the 19' cable and hardware needed.

Curt Wenger
Ventilation Engineer



**Figure 1. Sump Support System
Supplied Since August 13,
to September 6, 2000**

- Install Screw Hooks, Cable and Cable Clamps as shown in **Figure 2**.
- Hook Cable tabs on the Sump Support.
- Tension the Cable so bottom of Sump is level



Item	Description	Part N
1	11" spacing between hooks	
2	1.5" from outer edge of 2x4 to first hook	
3	Screw Hook	1214
4	Cable Clamps	14898
5	Support Cable	44528
6	Tab in Sump Support	
7	Sump Support	44512

Figure 2. Sump Support Cable Installation

Chore-Time Equipment a Division of CTB Inc.
P.O. Box 2000 • Milford, Indiana 46542-2000 • U.S.A.
Phone (219) 658-4101 • Fax (877) 730-8825
E-Mail: ctb@ctbinc.com • Internet: <http://www.ctbinc.com>