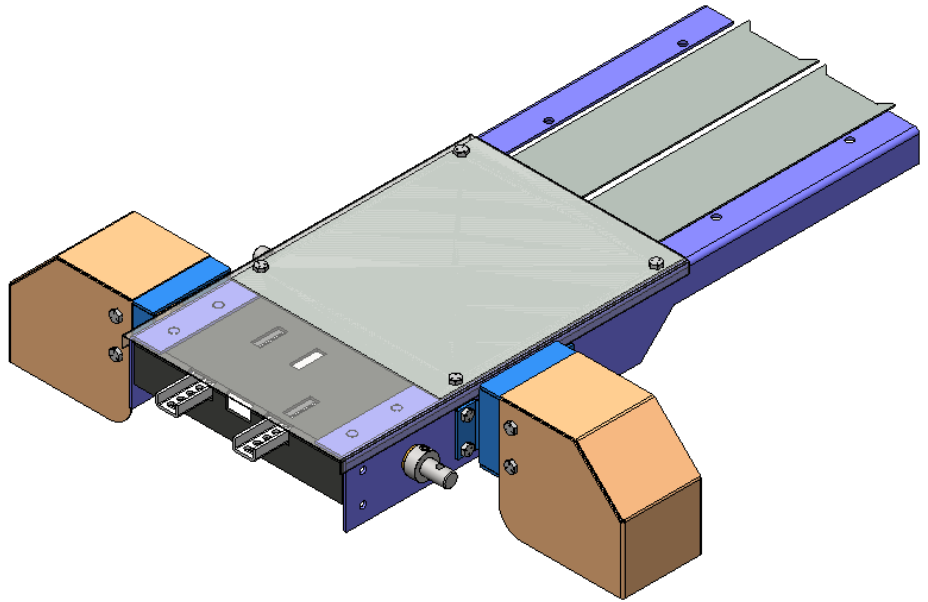


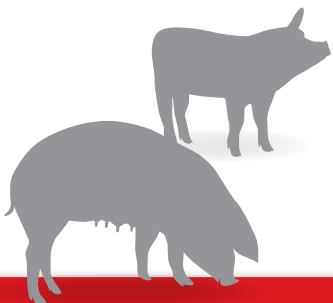
**CHORE-TIME**<sup>®</sup>



# FEED BIN BOOT SLIDE ACTUATORS

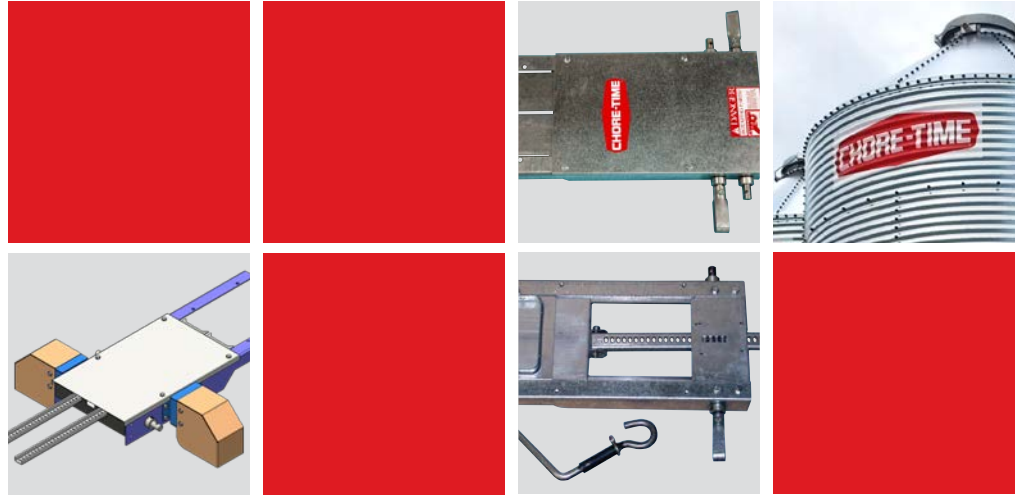
## TROUBLE-FREE OPERATION

- › Reliable design and easy to operate
- › Manage & coordinate feed stored in tandem bin systems
- › Provides simple, trouble-free operation



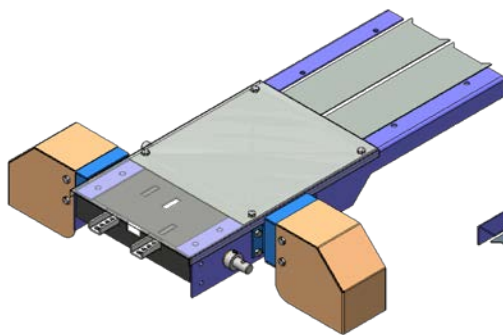
# FEED BIN BOOT SLIDE ACTUATORS

CHORE-TIME® Automatic and Manual Feed Bin Boot Slide Actuators allow pig producers to easily operate their single or tandem bin system's boot shut-off slides. Both versions feature a reliable design that provides simple, trouble-free operation.



## Automatic Boot Slide Actuator

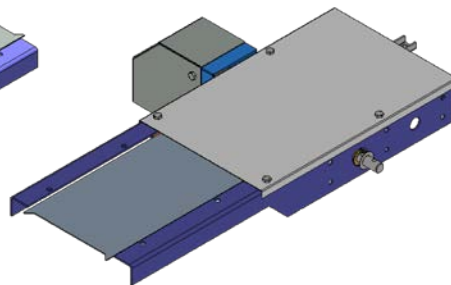
- > The Automatic Boot Slide Actuators are designed to aid producers in managing feed storage on either a single straight-through or twin straight-through tandem feed bin system so that pigs do not miss a feeding.
- > The Automatic Boot Slide Actuators use a reliable linear actuator design for durable, trouble-free operation of the bin boot's feed shut-off slides.



TWIN BOOT ACTUATOR

## Manual Boot Slide Actuator

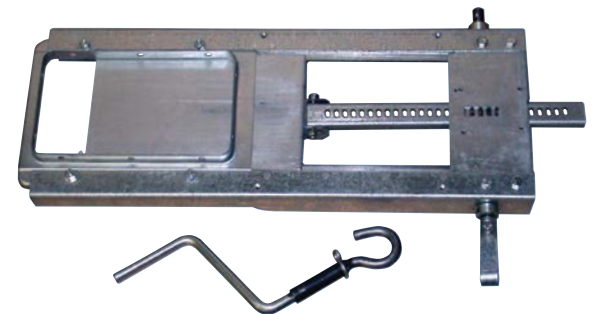
- > The Manual Boot Slide Actuators from Chore-Time help producers to easily open and close the feed bin boot slides without having to physically crawl under, around or through the feed bin's leg and hopper support bracing system.
- > The easy-to-operate rack and pinion design quickly opens or closes boot slides with 2-1/8 crank turns and



SINGLE BOOT ACTUATOR

can be operated with an optional telescoping handle that extends from 5 to 8 feet (1.5 to 2.5 m) in length.

- > Opener can be installed for either right- or left-hand operation.
- > Producers can manage feed storage on any Chore-Time straight-out or 30-degree lower boot.



MANUAL BOOT SLIDE ACTUATOR

AUTOMATIC BOOT SLIDE ACTUATORS

