

Power Units

Power Unit Specifications

Part No	HP	RPM	Phase	Hz	Voltage	Usages
3259-67	1/2	129	Single	60	230	Model 75 & HMC
3259-50	1/2	216	Single	60	230	Model 75/90 Two Motor Tandem
3259-51	1/2	348	Single	60	230	Model 75, 90, & HMC
3259-39	1/2	348	Single	60	230	Model 55 Only
3259-77	1/2	425	Single	60	230	Model 75 & 90
3259-136	3/4	216	Single	60	230	Model 75 & HMC
3259-34	3/4	348	Single	60	230	Model 55 Only
3259-52	3/4	348	Single	60	230	Model 75, 90, 108, & HMC
3259-119	3/4	348	Three	60	208-230/460	Model 75, 90, & HMC
3259-78	3/4	425	Single	60	230	Model 75 & 90
3259-120	3/4	425	Three	60	208-230/460	Model 75 & 90
3259-122	3/4	584	Single	60	230	Model 90
3259-49	1	348	Single	60	230	Model 75, 90, 108, & HMC
3259-117	1	348	Three	60	208-230/460	Model 75, 90, & HMC
3259-79	1	425	Single	60	230	Model 75, 90, & 108
3259-118	1	425	Three	60	208-230/460	Model 75 & 90
3259-123	1	584	Single	60	230	Model 90
3259-66	1 1/2	348	Single	60	230	Model 108
3259-139	1 1/2	348	Three	60	208-230/460	Model 108
3259-80	1 1/2	425	Single	60	230	Model 108
3259-140	1 1/2	425	Three	60	208-230/460	Model 108
3259-137	1 1/2	474	Three	60	220/380	Model 90
3259-124	1 1/2	584	Single	60	230	Model 90
3259-121	2	425	Single	60	230	Model 108
3259-109	1/2	180	Single	50	220	Model 75 & HMC
3259-102	1/2	180	Three	50	220/380-415	Model 75 & HMC
3259-98	1/2	348	Single	50	220	Model 55 Only
3259-100	1/2	348	Three	50	220/380-415	Model 55 (Flag)
3259-103	1/2	348	Three	50	220/380-415	Model 75 & 90
3259-88	3/4	348	Single	50	220	Model 75, 90, & 108
3259-104	3/4	348	Three	50	220/380-415	Model 75 & 90
3259-89	1	348	Single	50	220	Model 75, 90, 108, & HMC
3259-105	1	348	Three	50	220/380-415	Model 75, 90, & 108
3259-107	1	348	Three	50	220/380-415	Model 90
3259-108	1	474	Single	50	220	Model 90
3259-90	1 1/2	348	Single	50	220	Model 108
3259-106	1 1/2	348	Three	50	220/380	Model 108

Power Unit Components

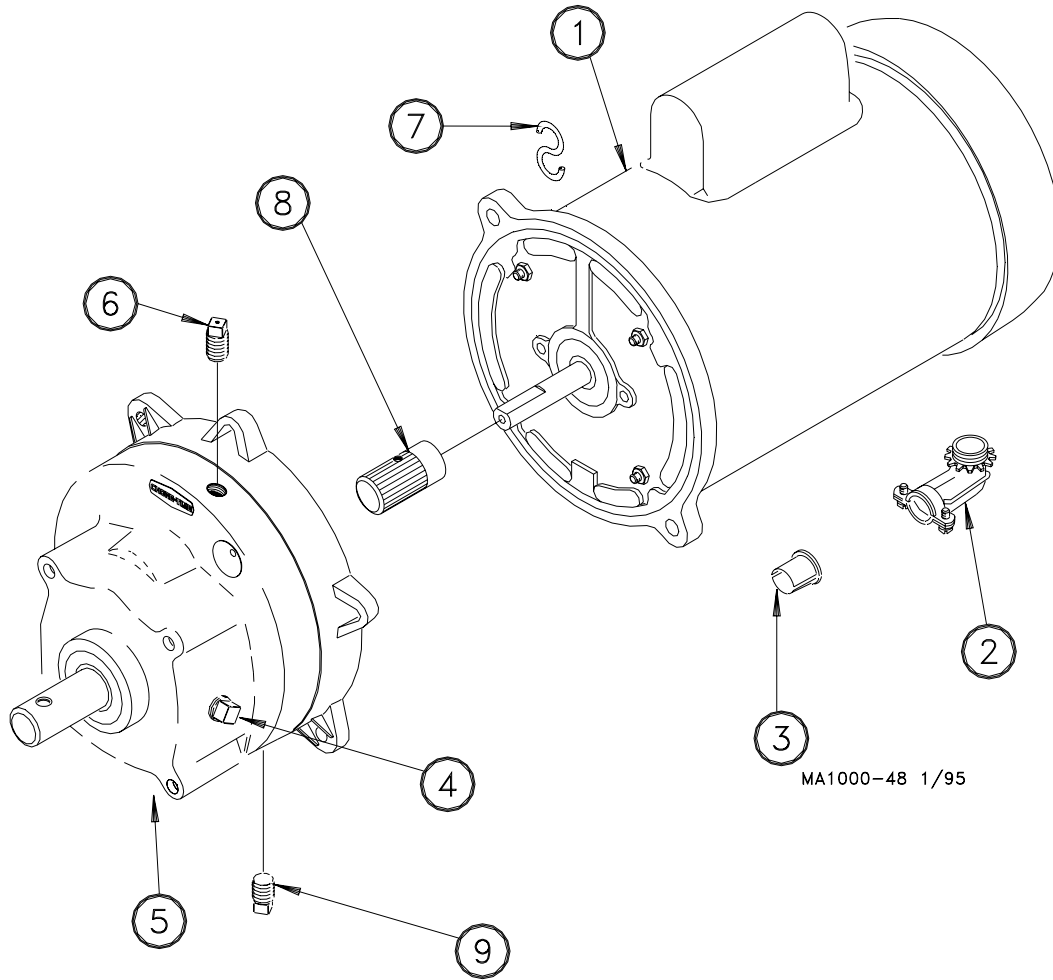
Item	Description	3259-34	3259-39	3259-49	3259-50	3259-51	3259-52	3259-66	3259-67
		Part No	Part No	Part No	Part No	Part No	Part No	Part No	Part No
1	Motor	4229	5703	6857	5050	5050	5051	8782	5703
2	90 Degree Connector	4228	4228	4228	4228	4228	4228	4228	---
3	Anti-Short Bushing	6304	6304	6304	6304	6304	6304	6304	---
4	Pipe Plug	2755	2755	2755	2755	2755	2755	2755	2755
5	Gearhead	3261-5	3261-5	3261-7	3261-6	3261-7	3261-7	3261-7	3261-8
6	Vent Plug	3523	3523	3523	3523	3523	3523	3523	3523
7	“S” Hook	2805	2805	2805	2805	2805	2805	2805	2805
8	Pinion Assembly	5046	5046	6104	3249	5046	5046	6104	3249
9	Magnetic Pipe Plug	30160	30160	30160	30160	30160	30160	30160	30160

		3259-77	3259-78	3259-79	3259-80	3259-88	3259-89	3259-90	3259-98
Item	Description	Part No	Part No	Part No	Part No	Part No	Part No	Part No	Part No
1	Motor	5050	5051	6857	8782	5977	26157	25782	6305
2	90 Degree Connector	4228	4228	4228	---	4228	4228	---	4228
3	Anti-Short Bushing	6304	6304	6304	---	6304	6304	---	6304
4	Pipe Plug	2755	2755	2755	2755	2755	2755	2755	2755
5	Gearhead	3261-10	3261-10	3261-10	3261-10	3261-11	3261-10	3261-10	3261-10
6	Vent Plug	3523	3523	3523	3523	3523	3523	3523	3523
7	“S” Hook	2805	2805	2805	2805	2805	2805	2805	2805
8	Pinion Assembly	5046	5046	6104	6104	5046	6104	6104	5046
9	Magnetic Pipe Plug	30160	30160	30160	30160	30160	30160	30160	30160

		3259-100	3259-102	3259-103	3259-104	3259-105	3259-106	3259-107	3259-108
Item	Description	Part No	Part No	Part No	Part No	Part No	Part No	Part No	Part No
1	Motor	28031EUR	28031EUR	28033	28034EUR	28035EUR	28036EUR	28035EUR	26157
2	90 Degree Connector	4228	---	---	4228	---	---	---	---
3	Anti-Short Bushing	6304	---	---	6304	6304	6304	---	---
4	Pipe Plug	2755	2755	2755	2755	2755	2755	2755	2755
5	Gearhead	3261-11	3261-6	3261-10	3261-10	3261-10	3261-10	3261-13	3261-13
6	Vent Plug	3523	3523	3523	3523	3523	3523	3523	3523
7	“S” Hook	2805	2805	2805	2805	2805	2805	2805	2805
8	Pinion Assembly	5046	3249	5046	5046	6104	6104	6104	6104
9	Magnetic Pipe Plug	30160	30160	30160	30160	30160	30160	30160	30160

		3259-109	3259-117	3259-118	3259-119	3259-120	3259-121	3259-122	3259-123
Item	Description	Part No	Part No	Part No	Part No	Part No	Part No	Part No	Part No
1	Motor	5977	34101	34101	34102	34102	34461	5051	6857
2	90 Degree Connector	---	4228	---	4228	---	---	---	---
3	Anti-Short Bushing	---	6304	---	6304	---	---	---	---
4	Pipe Plug	2755	2755	2755	2755	2755	2755	2755	2755
5	Gearhead	3261-6	3261-7	3261-10	3261-7	3261-10	3261-10	3261-13	3261-13
6	Vent Plug	3523	3523	3523	3523	3523	3523	3523	3523
7	“S” Hook	2805	2805	2805	2805	2805	2805	2805	2805
8	Pinion Assembly	3249	6104	6104	5046	5046	6104	5046	6104
9	Magnetic Pipe Plug	30160	30160	30160	30160	30160	30160	30160	30160

		3259-124	3259-136	3259-137	3259-139	3259-140
Item	Description	Part No	Part No	Part No	Part No	Part No
1	Motor	8782	5051	28036EUR	39589	39589
2	90 Degree Connector	---	---	---	---	---
3	Anti-Short Bushing	---	---	---	---	---
4	Pipe Plug	2755	2755	2755	2755	2755
5	Gearhead	3261-13	3261-6	3261-13	3261-7	3261-10
6	Vent Plug	3523	3523	3523	3523	3523
7	“S” Hook	2805	2805	2805	2805	2805
8	Pinion Assembly	6104	3249	6104	6106	6106
9	Magnetic Pipe Plug	30160	30160	30160	30160	30160



MA1000-48 1/95

Gearhead Specifications

The chart below provides gearhead specification information for various Chore-Time fill system applications.

Gearhead Part No.	Output Shaft Size	Pinion Assembly	Motor RPM	Motor Hz	Output RPM	Primary Applications
3261-5	5/8"	5046	1725	60	348	Model 55, FLAG™
3261-5	5/8"	5046	1425	50	290	
3261-6	7/8"	3249	1425	50	180	Model 75, 90, HMC, 125, 108, MULTIFLO® FILL Loops
3261-6	7/8"	3249	1725	60	216	
3261-7	7/8"	6104	1725	60	348	Model 75, 90, HMC, 125, 108
3261-7	7/8"	5046	1725	60	348	
3261-7	7/8"	5046	1425	50	290	International Model 75, 90, HMC, 125, 108
3261-8	7/8"	3249	825	60	62	MULTIFLO®, Model 75, 90, HMC
3261-8	7/8"	3249	1725	60	129	
3261-9	7/8"	3249	1725	60	62	MULTIFLO®
3261-10	7/8"	5046	1725	60	425	Model 75, 90, HMC, 125, 108
3261-10	7/8"	6104	1725	60	425	
3261-10	7/8"	6104	1425	50	348	International Model 75, 90, HMC, 125, 108
3261-10	7/8"	5046	1425	50	348	
3261-11	5/8"	5046	1725	50	425	FLAG™ Fill Systems, Model 55
3261-11	5/8"	5046	1425	50	348	
3261-12	7/8"	25836	1725	50	62	International MULTIFLO®
3261-13	7/8"	5046	1725	60	584	Model 90 (Special application ULTRAPAN & ULTRAFLO Breeder Feeder)
3261-13	7/8"	6104	1425	50	474	
3261-13	7/8"	6104	1725	60	584	
3261-13	7/8"	5046	1425	50	474	
3261-14	7/8"	25836	1725	60	95	Hi-Speed MULTIFLO®
3261-16	7/8"	6104	1425	50	580	International Model 90

Gearhead Components

Item	Description	3261-1	3261-2	3261-5	3261-6	3261-7	3261-8
		216 RPM ¹	129 RPM ¹	348 RPM ¹	216 RPM ¹	348 RPM ¹	129 RPM ¹
		Part No	Part No	Part No	Part No	Part No	Part No
1	Adapter (Mach)	3174	3174	3174	3174	3174	3174
2	Gasket	3258	3258	3258	3258	3258	3258
3	Flange Bearing	3252	3252	3252	3252	3252	3252
4	Inter. Gear Ass'y	24243	24244	24248	24243	24248	24244
	Inter. Gear Ass'y	---	---	---	---	---	---
5	Output Gear	24198	24198	24197	24198	24197	24198
6	Output Shaft	5187	5187	5187	6847	6847	6847
7	Oil Seal	5189	5189	5189	5189	5189	5189
*8	Two Row Spacer Bearing	5188	5188	5188	5188	5188	5188
9	Housing	29886	29886	29886	29886	29886	29886
10	5/8 Hex Jam Nut	5183	5183	5183	5183	5183	5183
11	5/16-18 Bolt	49431	49431	49431	49431	49431	49431
12	Oil Seal	4682	4682	4438	4682	4438	4682
13	1/8 x 7/16 Spiral Pin	2960-2	2960-2	2960-2	2960-2	2960-2	2960-2
14	1/4 NPT Sq. Hd Plug	2755	2755	2755	2755	2755	2755
15	Thrust Washer	---	---	2955-33	---	2955-33	---
16	3/16 x 7/16" Key	2112-3	2112-3	2112-3	2112-3	2112-3	2112-3
17	Vent Plug	3523	3523	3523	3523	3523	3523
18	Magnetic Drain Plug	30160	30160	30160	30160	30160	30160

¹Output speeds are based on 60 Hz 1725 RPM Motor.

*Part Number 5188 is a 6-piece precision ground, matched set. Components should not be mixed (old and/or new).

Item	Description	3261-9	3261-10	3261-11	3261-12	3261-13	3261-14	3261-16
		62 RPM ¹	425 RPM ¹	425 RPM ¹	62 RPM ¹	584 RPM ¹	95 RPM ¹	580 RPM ¹
		Part No	Part No	Part No	Part No	Part No	Part No	Part No
1	Adapter (Mach)	14492	3174	3174	14492	3174	14492	3174
2	Gasket	3258	3258	3258	3258	3258	3258	3258
3	Flange Bearing	3252	3252	3252	3252	3252	3252	3252
4	Inter. Gear Ass'y	24241	24752	24752	25834	28026	25834	40926
	Inter. Gear Ass'y	24242	---	---	24242	---	28722	---
5	Output Gear	24197	24751	24751	24197	28027	24751	40925
6	Output Shaft	6847	6847	5187	6847	6847	6847	6847
7	Oil Seal	5189	5189	5189	5189	5189	5189	5189
*8	Two Row Spacer Bearing	5188	5188	5188	5188	5188	5188	5188
9	Housing	29886	29886	29886	29886	29886	29886	29886
10	5/8 Hex Jam Nut	5183	5183	5183	5183	5183	5183	5183
11	5/16-18 Bolt	49432	49431	49431	49432	49431	49432	49431
12	Oil Seal	4682	4438	4438	4682	4438	4682	4438
13	1/8 x 7/16 Spiral Pin	2960-2	2960-2	2960-2	2960-2	2960-2	2960-2	2960-2
14	1/4 NPT Sq. Hd Plug	2755	2755	2755	2755	2755	2755	2755
15	Thrust Washer	---	2955-33	2955-33	---	2955-33	---	2955-33
16	3/16 x 7/16" Key	2112-3	2112-3	2112-3	2112-3	2112-3	2112-3	2112-3
17	Vent Plug	3523	3523	3523	3523	3523	3523	3523
18	Magnetic Drain Plug	30160	30160	30160	30160	30160	30160	30160

¹Output speeds are based on 60 Hz 1725 RPM Motor.

*Part Number 5188 is a 6-piece precision ground, matched set. Components should not be mixed (old and/or new).

