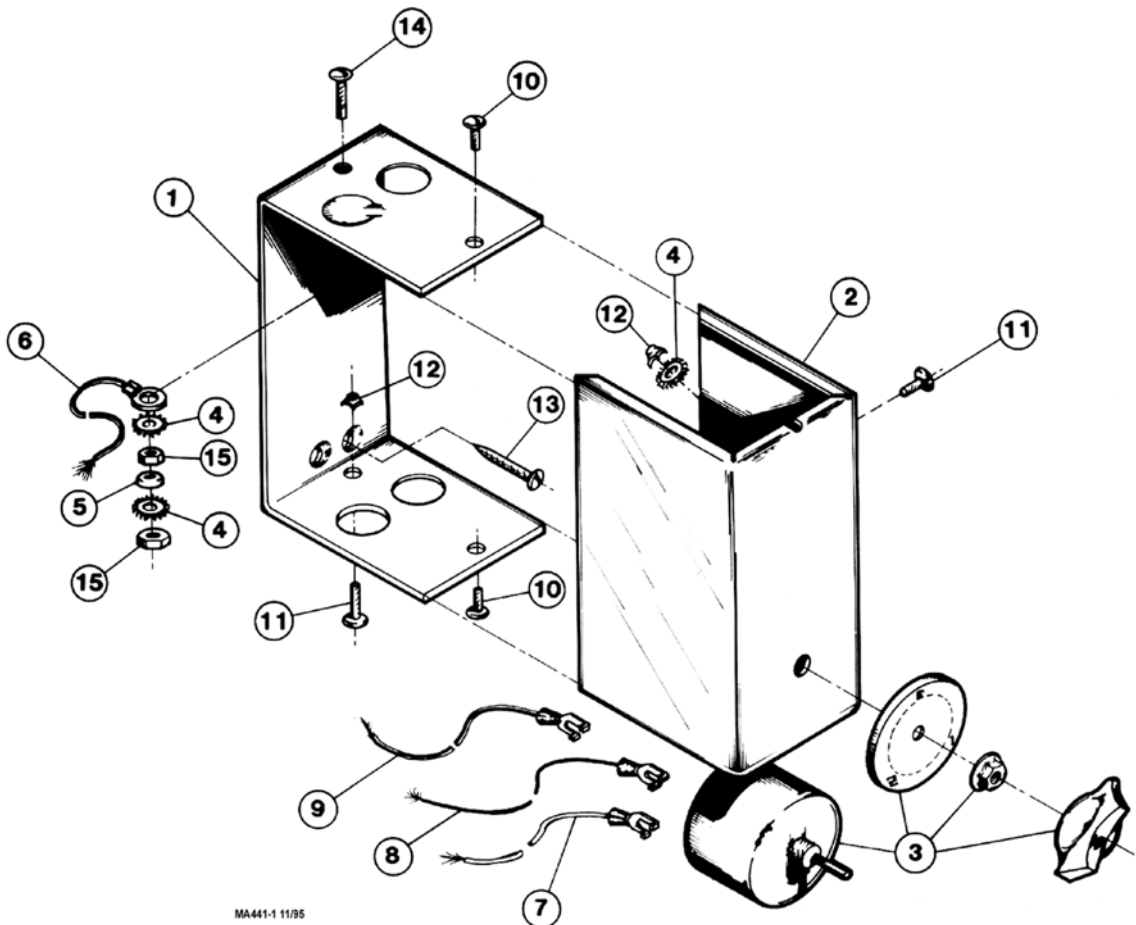


Timers and Time Clocks

Interval Timer (3 Hour): **6938**

Interval Timer (30 Hour): **43224**

Item	Description	6938	13224
		Mfg'd to 10/2004	Mfg'd to 11/1993
Part No	Part No		
1	Contactors	4124	4124
2	Switch Cover	6941	6941
3	Timer Switch	6939	13222
4	#10 Star Washer	305	305
5	Cup Washer	5775	5775
6	16 Ga. Ground Wire (Green)	2245-175	2245-175
7	16 Ga. Wire Ass'y (Orange)	2243-197	2243-197
8	16 Ga. Wire Ass'y (Yellow)	2243-198	2243-198
9	16 Ga. Wire Ass'y (Black)	2243-199	2243-199
10	#8 Hex Wash. Hd Screw	13019	13019
11	#10-24 x 3/8" Screw	501	501
12	Stamped Nut	435	435
13	#8 x 3/4" Wood Screw	3327	3327
14	#10-32 x 1/2" Screw	4303-4	4303-4
15	#10 Hex Nut	4297	4297

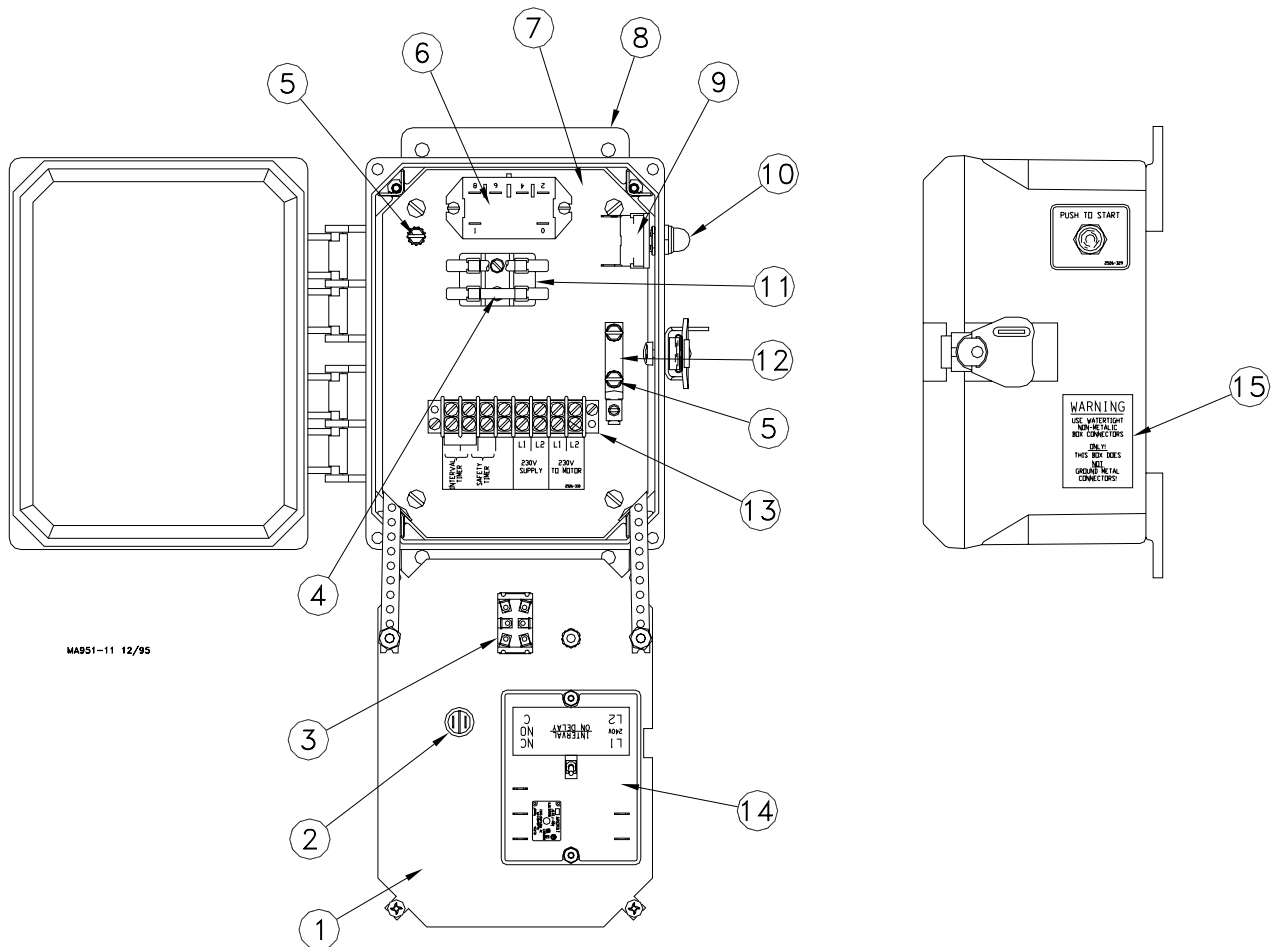


MA441-1 11/95

Auger Timer: 27744

Manufactured until 10/1997

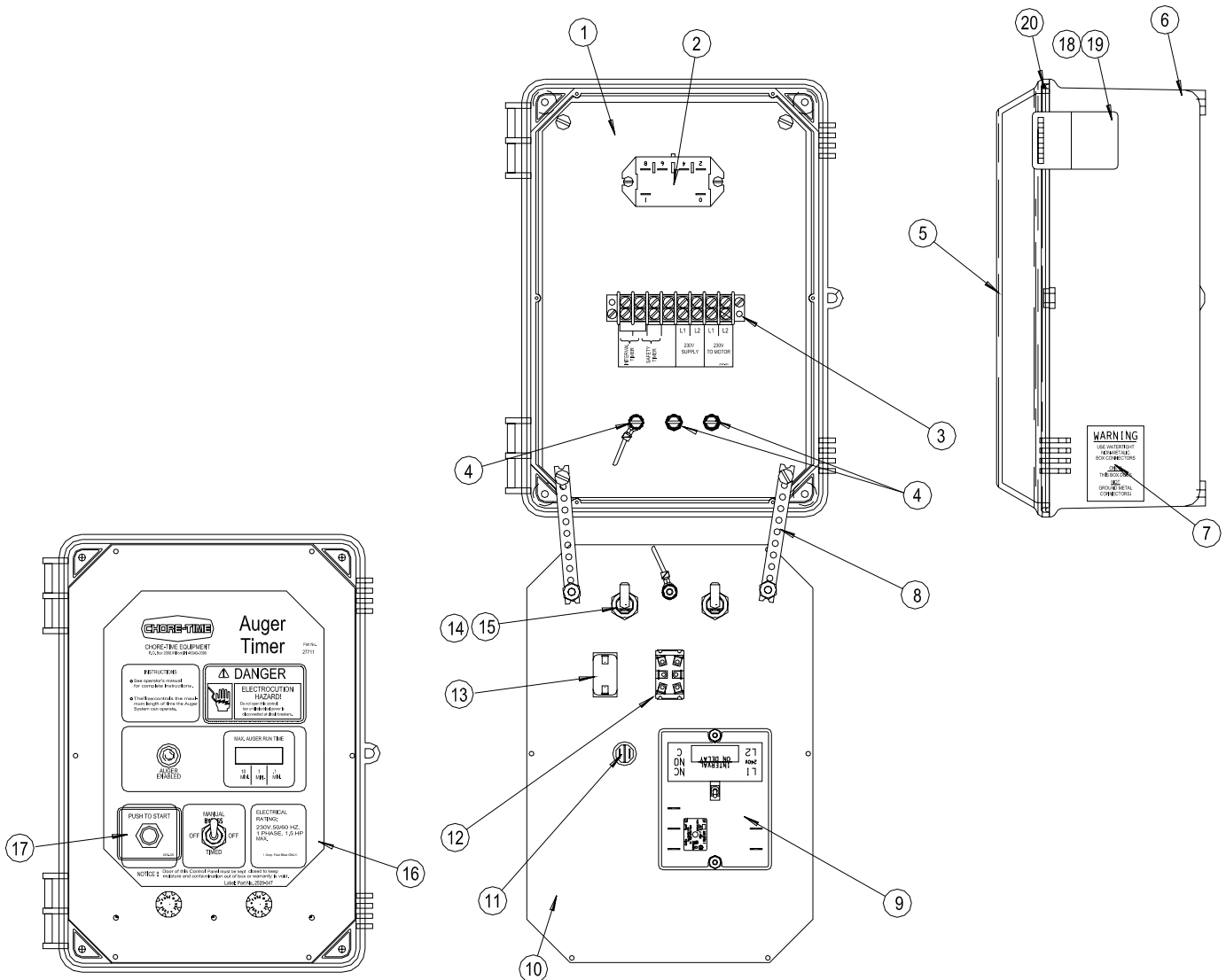
Item	Description	Part No
1	Front Panel	29548
2	Pilot Light	2058
3	Toggle Switch	20135
4	1 Amp Fuse	2935
5	#10-32 Ground Screw	4968
6	Relay	28904
7	Mounting Plate	29554
8	Control Box	30672
9	Toggle Switch	5785
10	Switch Boot	20784
11	Fuse Block	7270
12	Copper Lug	28822
13	Terminal Block	7270
14	On/Delay Internal Timer	30634
15	Warning Decal	2527-15



MA951-11 12/95

Manufactured 10/1997 to 2/2006

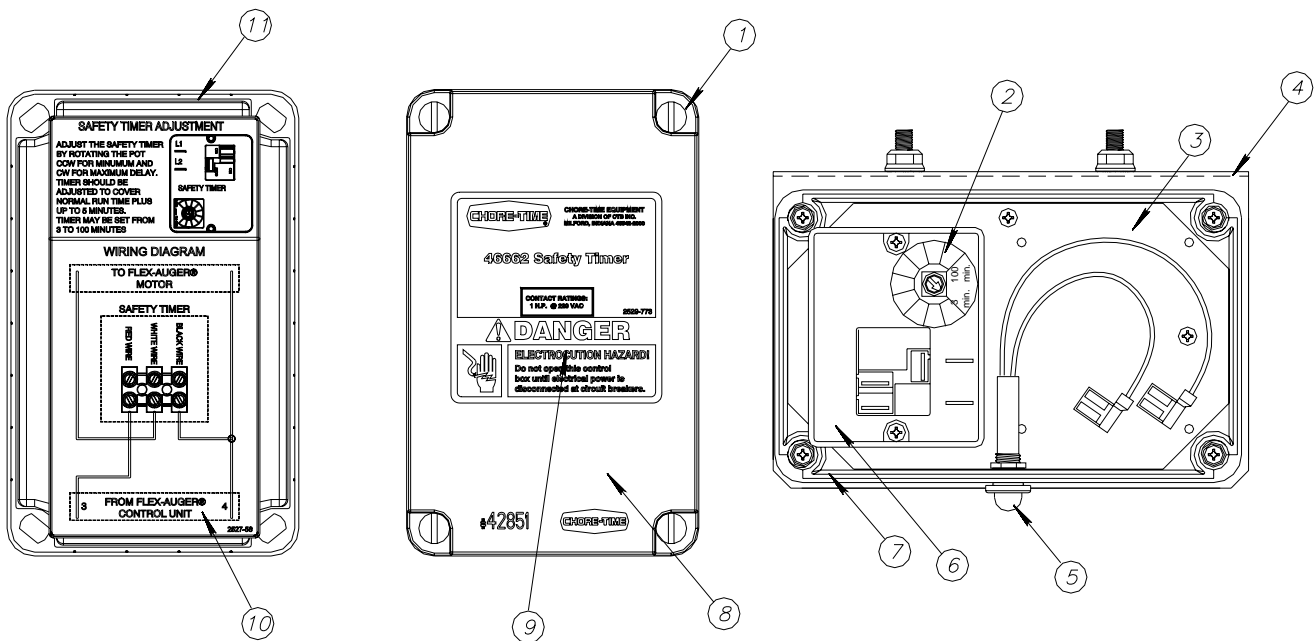
Item	Description	Part No
1	Back Mounting Plate	40557
2	240 VAC Relay	28904
3	Terminal Block	7270
4	#10-32 Ground Screw	34662
5	Box Lid	30859-1
6	Control Box	30860-3
7	Warning Decal	2527-15
8	Strapping	29014-3
9	On/Delay Interval Timer	30634
10	Front Panel	40558
11	Pilot Light	2058
12	Toggle Switch	20135
13	Toggle Switch	5785
14	1A 250V Fuse	2935
15	Fuse Holder	24431
16	Control Panel Decal	2529-347
17	Push to Start Decal	2526-329
18	Latch	30862
19	Latch Pivot	30863
20	Neoprene Seal	34767



Auger Safety Timer: 46662

Manufactured 6/2001 to Present

Item	Description	Part No
1	Short Plastic Screw	42849
2	Timer Dial Decal	2527-13
3	Rear Switch Panel	46730
4	Safety Timer Mount	46753
5	Pilot Light	46047
6	Safety Module	46732
7	Machined Box	46842
8	Box Lid	42851
9	Safety Timer Decal	2529-773
10	Wiring Diagram Decal	2527-56
11	Gasket	42854



Interval Timer Control (Single Timer): ~~40293-1~~

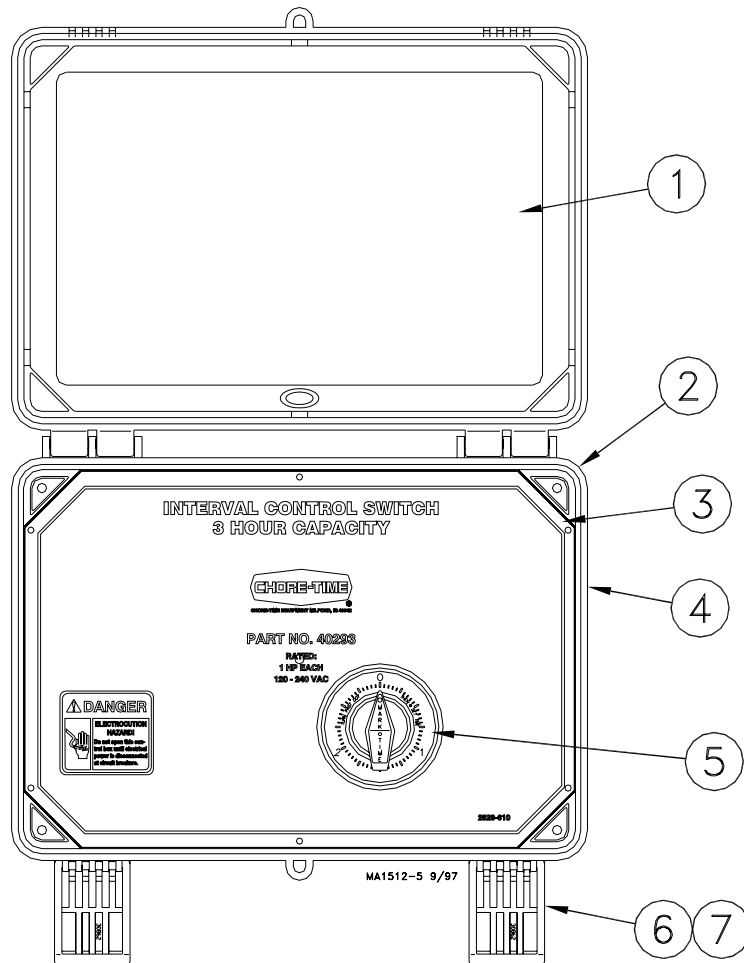
Interval Timer Control (Two Timers): ~~40293-2~~

Interval Timer Control (Three Timers): ~~40293-3~~

Interval Timer Control (Four Timers): ~~40293-4~~

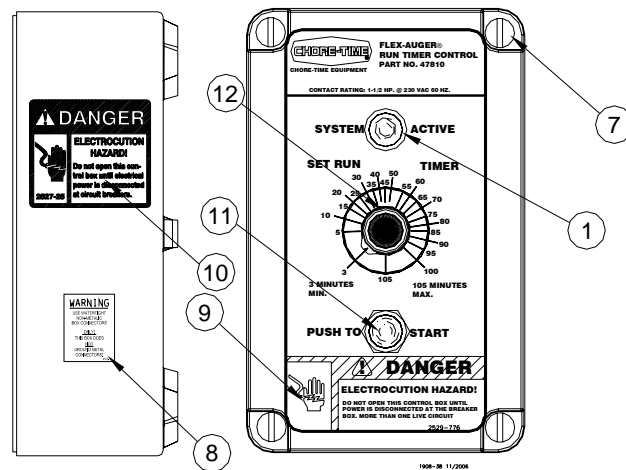
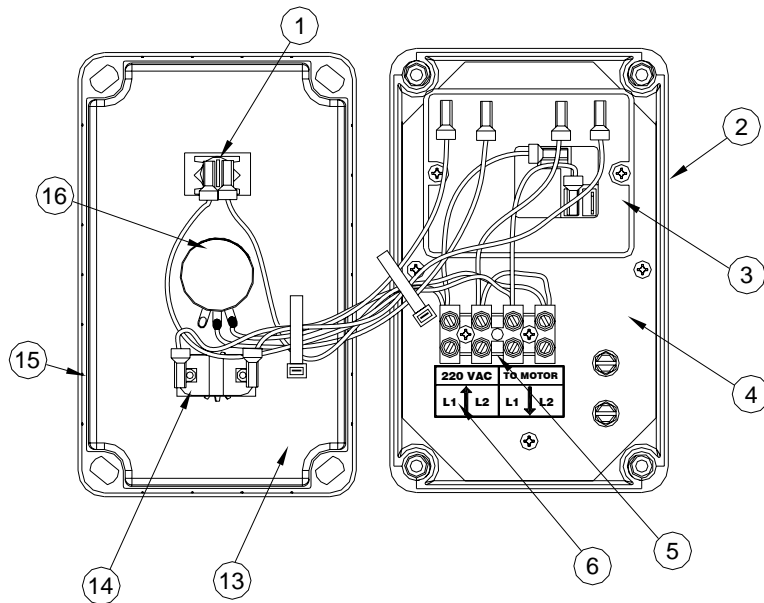
Manufactured 8/1997 to 10/2004

Item	Description	Part No
1	Clear Cover	30859-1
2	Control Box	30860-3
3	Mounting Plate	40292
4	Neoprene Seal	34767
5	Interval Timer Switch	6939
6	Control Box Latch Pivot	30863
7	Control Box Latch	30862



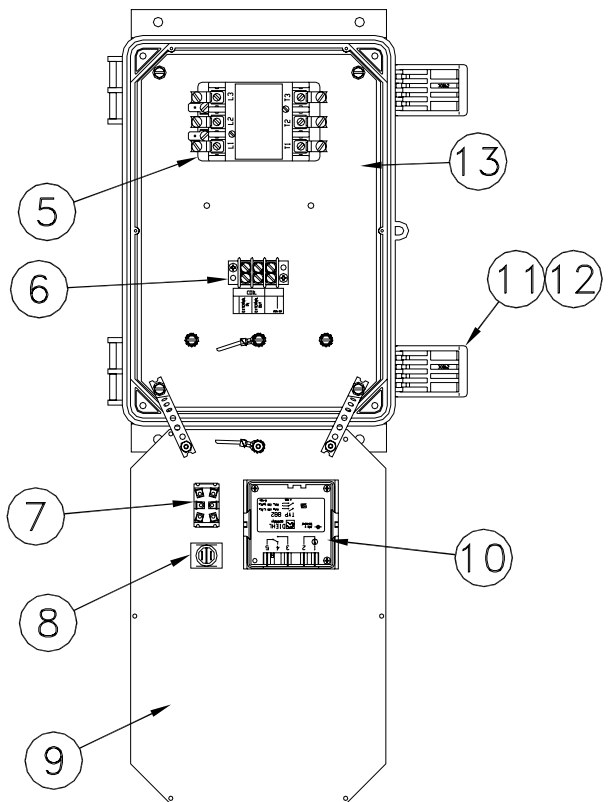
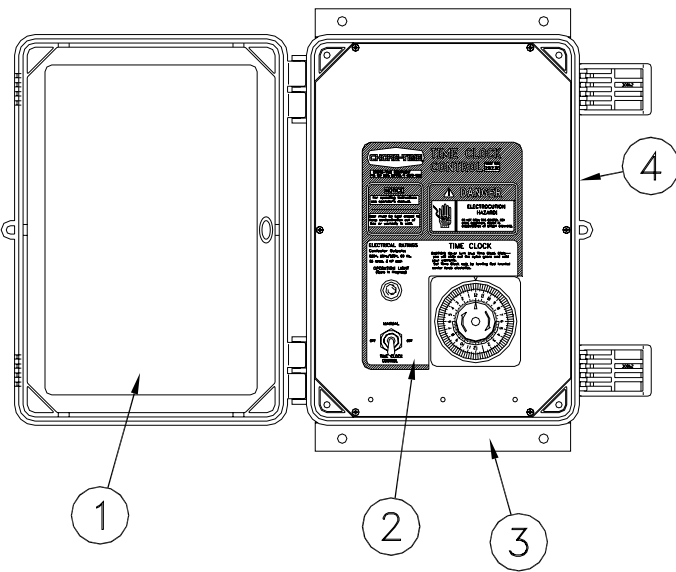
Single Run Timer Control: 47810

Item	Description	Mfg'd 2/2002 thru 8/2002	Mfg'd 8/2002 thru 1/2004	Mfg'd 1/2004 thru 2/2005	Mfg'd 2/2005 to Present
		Part No	Part No	Part No	Part No
1	Pilot Light	7044	7044	7044	7044
2	Box Bottom	42853	42853	42853	42853
3	Run Timer Module	47812	47812	47812	47812
4	Rear Mount Panel	47807	47807	47807	47807
5	Terminal Block	34925-4	34925-4	34925-4	34925-4
6	Terminal Block Decal	2526-416	2526-416	2526-416	2526-416
7	Plastic Screw	42849	42849	42849	42849
8	Warning Decal	2527-15	2527-15	2527-15	2527-15
9	Run Timer Decal	2529-776	2529-776	2529-776	2529-776
10	Danger Decal	2527-25	2527-25	2527-25	2527-25
11	Push Button Boot	20784	20784	20784	20784
12	Pointer Knob	4111	7906	7906	7906
13	Cover	47806	47806	47806	47806
14	Push Button Switch	5785	5785	5785	5785
15	Box Gasket	42854	42854	42854	42854
16	Resistor Assembly	47806	47806	47813	50022



Time Clock Control: 26230

Item	Description	Mfg'd 6/1995 thru 1/2005	Mfg'd 1/2005 to Present
		Part No	Part No
1	Clear Cover	30859-1	30859-1
2	Time Clock Control Decal	2529-259	2529-259
3	Control Box Mount Panel	34852	34852
4	Control Box	30860-3	30860-3
5	208-240V Contactor	4283	49949-230
6	Terminal Block	26862	26862
7	Toggle Switch	20135	20135
8	Pilot Light	7044	7044
9	Front Panel	36112	36112
10	Time Clock Assembly	34912	34912
11	Control Box Latch Pivot	30863	30863
12	Control Box Latch	30862	30862
13	Back Panel	36111	36111

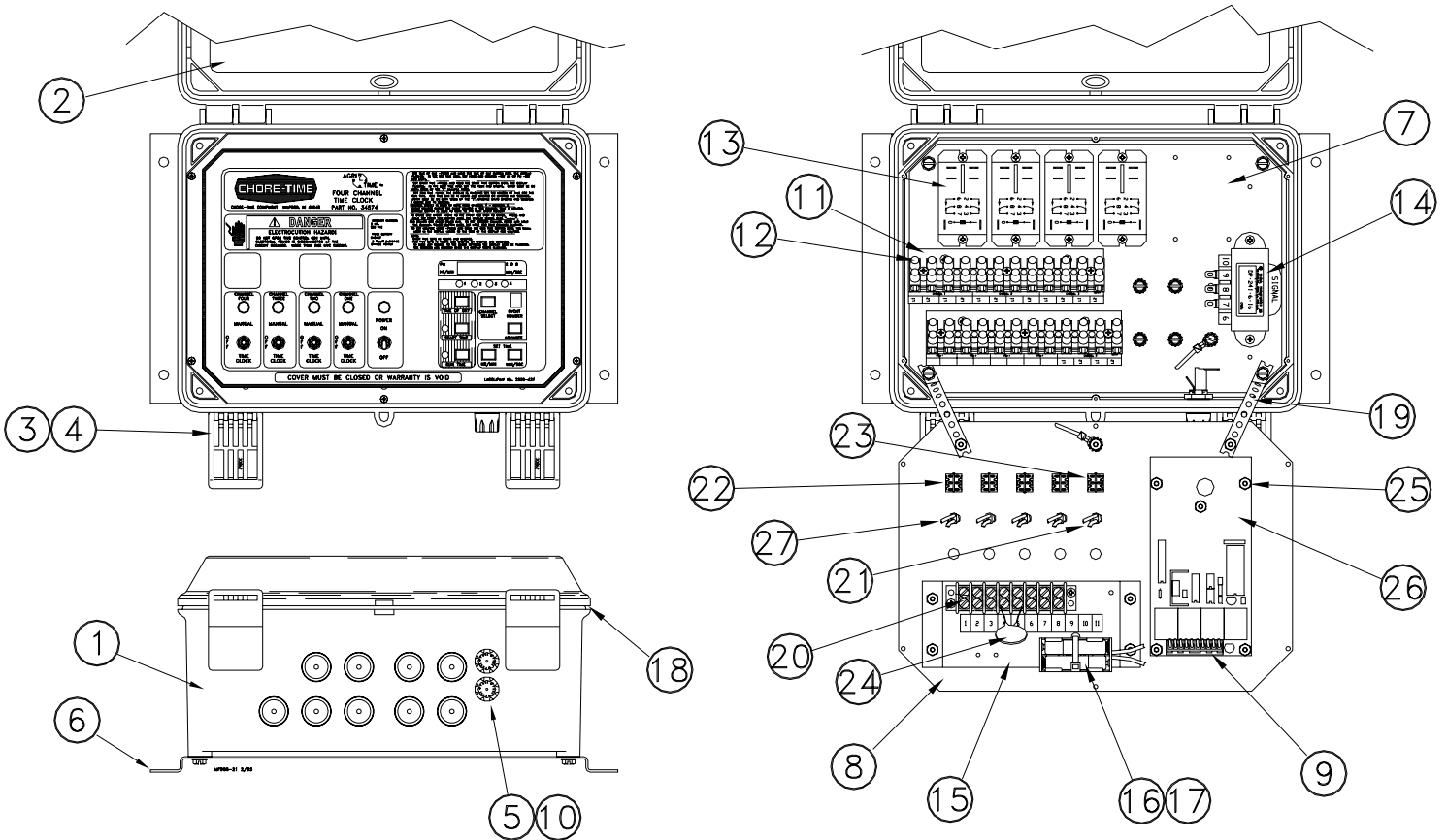


MF861-1 6/95

Time Clock 4 Channel: 34574

Item	Description	Mfg'd	Mfg'd
		12/1995 thru 8/1996	8/1996 to Present
Part No	Part No	Part No	Part No
1	Control Box	30860-4	30860-4
2	Clear Lid	30859-1	30859-1
3	Control Box Latch Pivot	30863	30863
4	Control Box Latch	30862	30862
5	Fuse Holder	24431	24431
6	Control Box Mount Panel	34852	34852
7	Back Mount Panel	34564	34564
8	Front Panel	34565	34565
9	Time Clock Connector	35467	35467
10	3 Amp Fuse	20472	20472
11	Terminal Mount Bracket	34563	34563
12	Terminal Block	34925	34925
13	DPST 200/240V Relay	34733	28904
14	Dual Transformer	34571	34571

Item	Description	Mfg'd	Mfg'd
		12/1995 thru 8/1996	8/1996 to Present
Part No	Part No	Part No	Part No
15	Mount Bracket	34562	34562
16	Battery Box Assembly	35095	35095
17	“AAA” Battery (1.5V)	34584	34584
18	Seal	34767	34767
19	Strapping	29014-4	29014-4
20	Terminal Block	7297	7297
21	Pilot Light	29708	29708
22	Toggle Switch	34388	34388
23	Toggle Switch	34578	34578
24	MOV	14063-1	14063-1
25	Nylon 1/4-20 Hex Nut	8916	8916
26	Circuit Board	34384	34384
27	Pilot Light Assembly	35461	35461



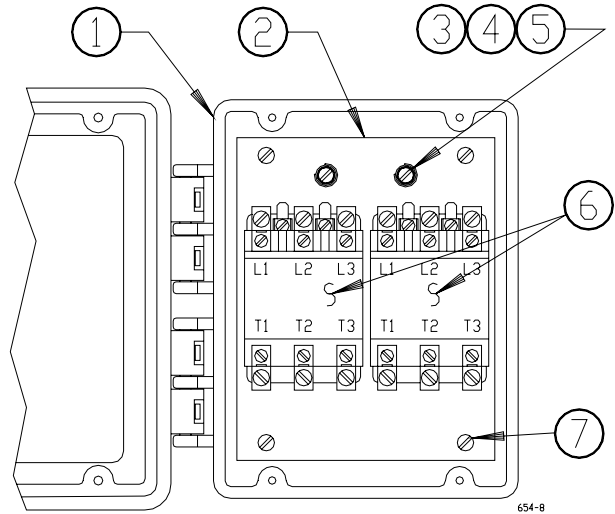
Contactor's

Contactor Box (with 1 Contactor): 24545-1

Contactor Box (with 2 Contactor's): 24545-2

Manufactured until 10/2003

Item	Description	Part No
1	Box and Cover	7368
2	Mounting Plate Support	24292
3	#10 Lock Washer	305
4	#10-32 Hex Screw	4968
5	Cup Washer	5775
6	Contactor 110V	4122
7	#10-24 Pan Head Screw	4418-3

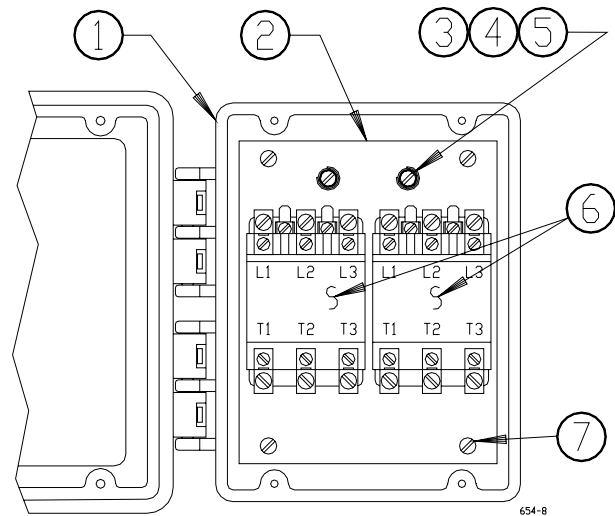


Contactor Box (with 1 Contactor): 24392-1

Contactor Box (with 2 Contactor's): 24392-2

Manufactured until 2/1999

Item	Description	Part No
1	Box and Cover	7368
2	Mounting Plate Support	24292
3	#10 Lock Washer	305
4	#10-32 Hex Screw	4968
5	Cup Washer	5775
6	Contactor 220V	4283
7	#10-24 Pan Head Screw	4418-3

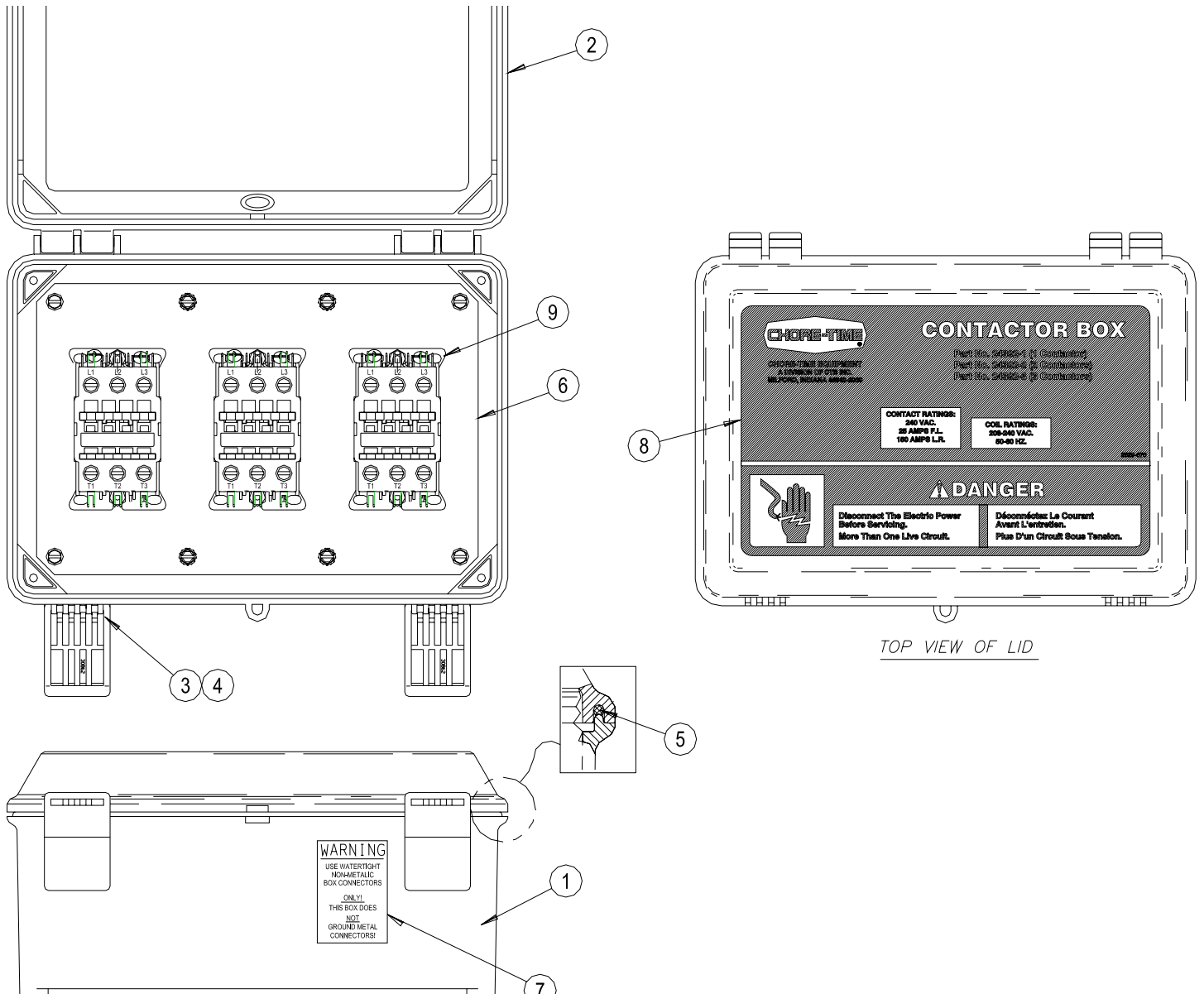


Contactor Box (with 1 Contactor): 24392-1

Contactor Box (with 2 Contactors):24392-2

Contactor Box (with 3 Contactor's): 24392-3

Item	Description	Mfg'd 2/1999 thru 1/2005	Mfg'd 1/2005 to Present
		Part No	Part No
1	Control Box	30860-3	30860-3
2	Control Lid	30859-2	30859-2
3	Control Box Latch	30862	30862
4	Control Box Latch Pivot	30863	30863
5	Seal	34767	34767
6	Mounting Plate	41463	41463
7	Warning Decal	2527-15	2527-15
8	Control Decal	2529-670	2529-670
9	Contactor 208-240V	4283	49949-230

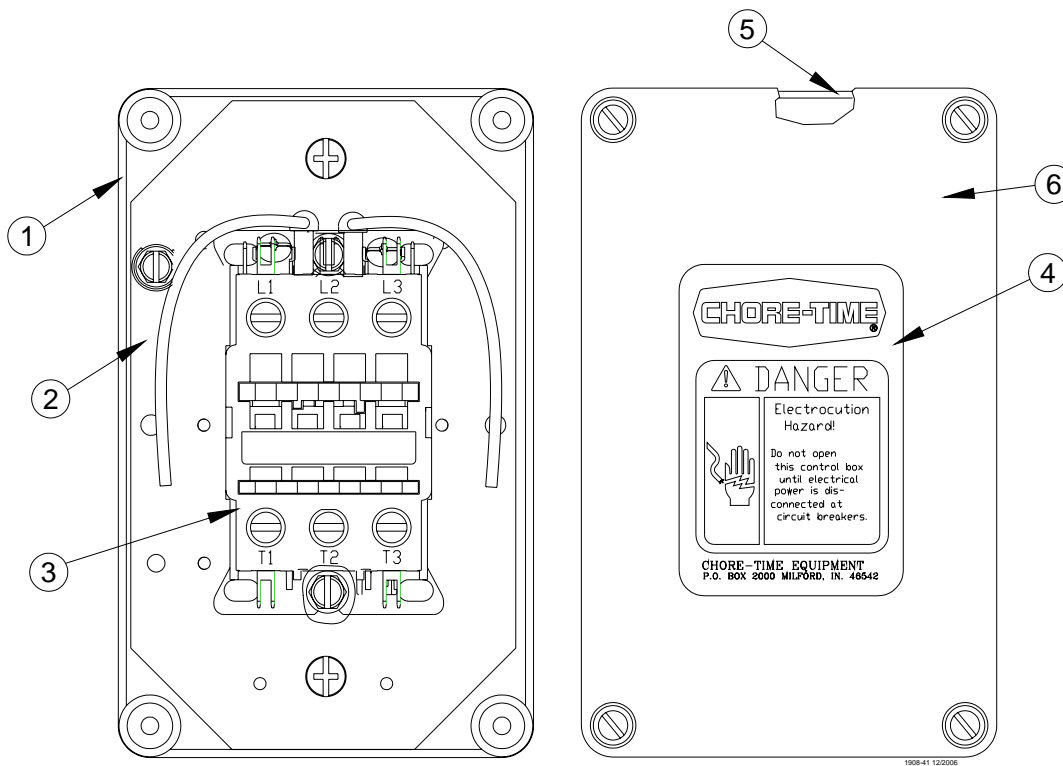


1908-40 11/2006

Contactor Box (with 1 Contactor): 42549

Contactor Box (with 1 Contactor): 44853

Item	Description	42549			44853	
		Mfg'd 9/1998 thru 2/2000	Mfg'd 2/2000 thru 1/2005	Mfg'd 1/2005 to Present	Mfg'd 11/2000 thru 1/2005	Mfg'd 1/2005 to Present
Item	Description	Part No	Part No	Part No	Part No	Part No
1	Box Bottom	42853	42853	42853	42853	42853
2	Mount Base	42375	42375	42375	42375	42375
3	Contactor 220V	4283	4283	49949-230	---	---
	Contactor 110V	---	---	---	4122	49949-115
4	Danger Decal	2527-26	2527-26	2527-26	2527-26	2527-26
5	Gasket	---	42854	42854	42854	42854
6	Box Cover	---	42852	42852	42852	42852

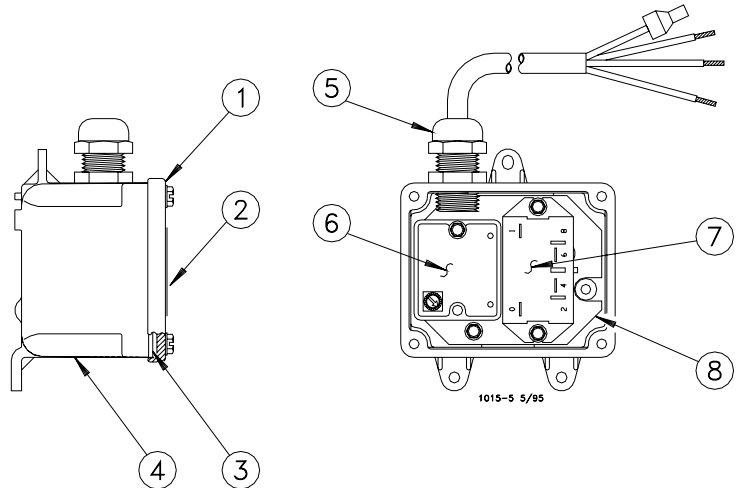


Delay Relays

Delay Relay: 30953

Manufactured 11/1993 to Present

Item	Description	Part No
1	Switch Box Cover	6776
2	Decal	2529-400
3	Gasket	6777
4	Switch Box	33814
5	1/2" Liquid Tight Connector	23779
6	ON Delay Timer	24411
7	Relay	24335
8	Box Plate	24321



Delay Relay: 28702

Manufactured 7/1992 to Present

Item	Description	Part No
1	Liquid Tight Connector	23779
2	Switch Box	28742
3	Gasket	6777
4	Twin Helix Screw	6980
5	Cover	6776
6	Liquid Tight Connector	13477
7	Relay Mount Plate	28701
8	ON Delay Timer	29566
9	Relay	24335
10	Box Plate	24321
--	Adjustment Stud	27701

